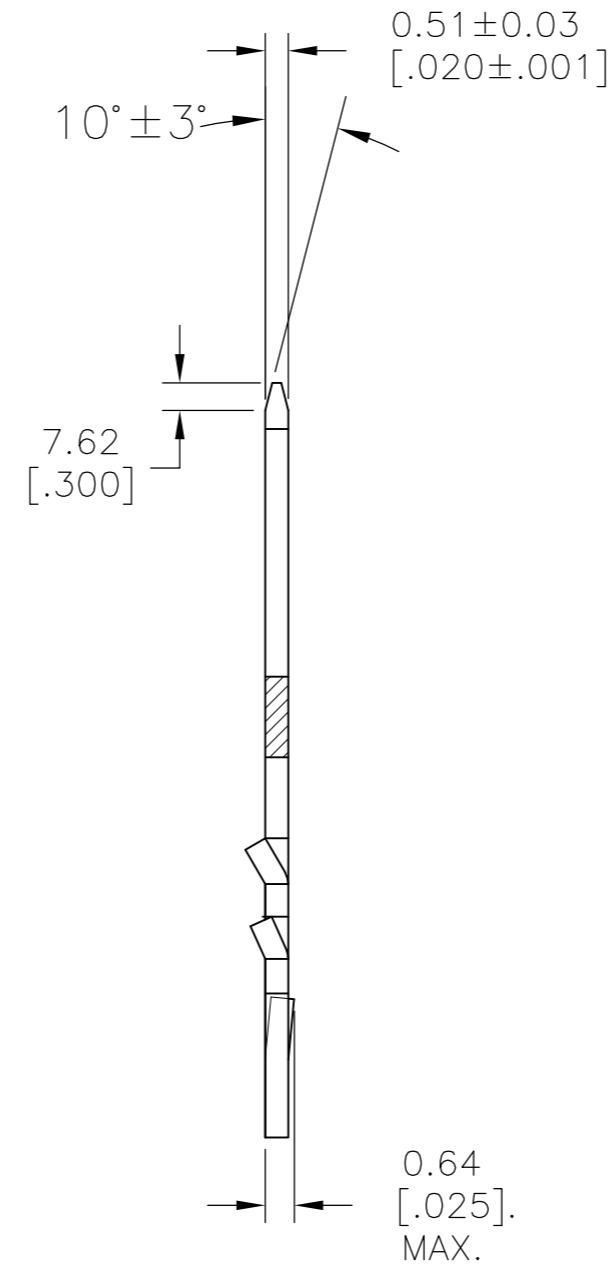
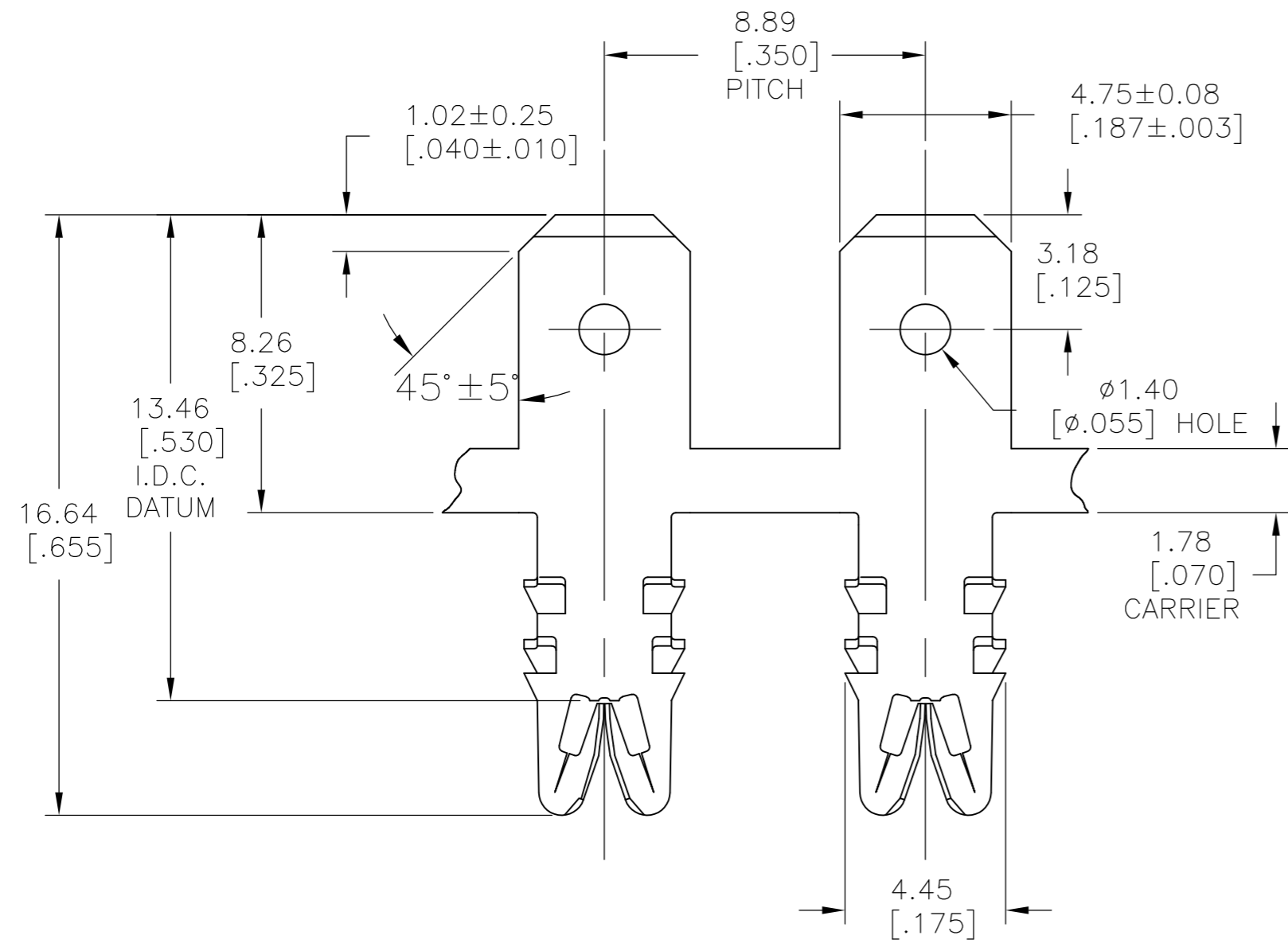
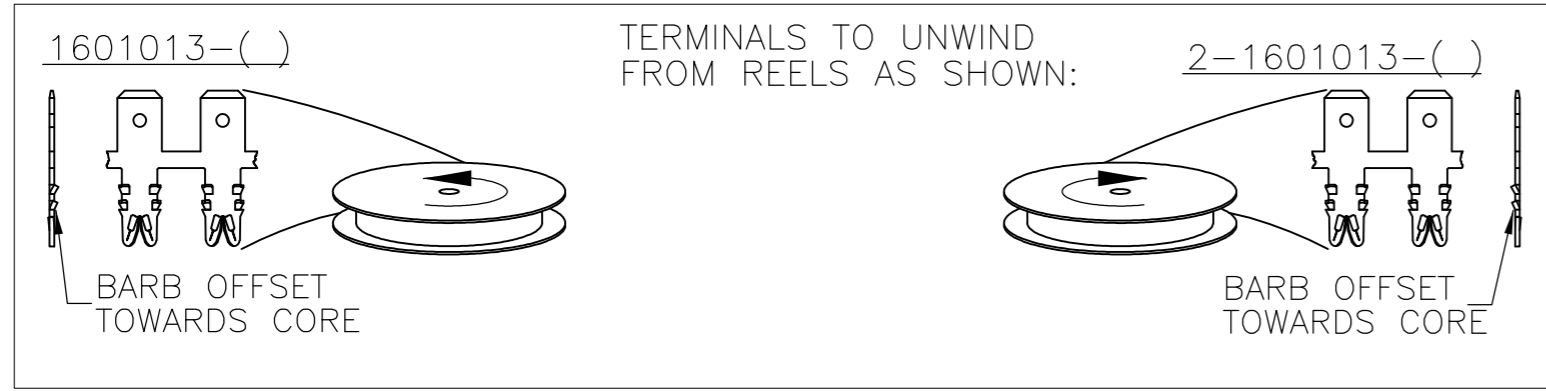
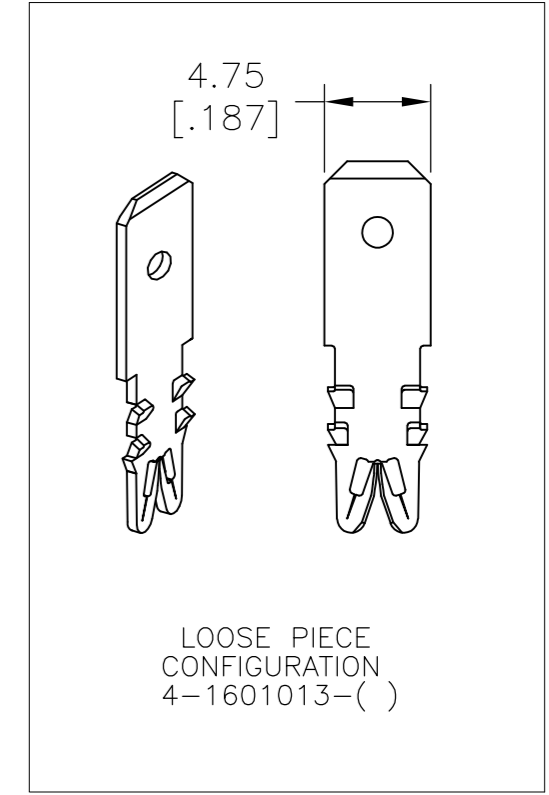


THIS DRAWING IS UNPUBLISHED. RELEASED FOR PUBLICATION  
 © COPYRIGHT BY TYCO ELECTRONICS CORPORATION. ALL INTERNATIONAL RIGHTS RESERVED.

LOC		DIST		REVISIONS			
P	LTR	DESCRIPTION		DATE	DWN	APVD	
AF	50	D3		REVISED PER ECR-10-013120	24JUN10	HMR	GJ



- 1 SPECIFICATIONS:  
MAGNET WIRE #18 - #34 AWG, 1.02[.040] - 0.16[.006] DIA COPPER  
OTHER SIZES MAY BE ACCOMMODATED, CONSULT TYCO ELECTRONICS FOR APPROVAL
- 2 POCKET RECOMMENDATION: #1601425
- 3 COATED WITH VARNISH RESIST WHEN INDICATED IN TABLE BELOW.
- 4 TERMINAL TO COMPLY WITH TYCO ELECTRONICS SPECIFICATION 114-13166 FIGURE 6.
- 5 PRELIMINARY - NOT FOR PRODUCTION.
- 6 TWO(2) TERMINALS SHOWN FOR ILLUSTRATION PURPOSES ONLY.



	-	-	-
	UNPLATED	031-029-000	4-1601013-1
	VARNISH RESIST / UNPLATED <span style="border: 1px solid black; padding: 2px;">3</span>	-	<span style="border: 1px solid black; padding: 2px;">5</span> 2-1601013-3
OBSOLETE	PRE TIN PLATE	131-029-002	2-1601013-2
	UNPLATED	131-029-000	2-1601013-1
	UNPLATED	131-057-000	1601013-1
	FINISH	REFERENCE PART NUMBER	TE PART NUMBER
THIS DRAWING IS A CONTROLLED DOCUMENT.		DWN J.WELLER 11JAN2002	Tyco Electronics Corporation Harrisburg, PA 17105-3608
DIMENSIONS: mm [INCHES]		CHK M.FEHER 11JAN2002	
TOLERANCES UNLESS OTHERWISE SPECIFIED:		APVD K.RANDOLPH 11JAN2002	
0 PLC ± - 1 PLC ± - 2 PLC ± 0.13[.005] 3 PLC ± - 4 PLC ± - ANGLES ± 2°		NAME PRODUCT SPEC 108-2085 APPLICATION SPEC <span style="border: 1px solid black; padding: 2px;">4</span>	
MATERIAL BRASS, FULL HARD	FINISH SEE TABLE	WEIGHT -	SIZE A2 CAGE CODE 00779 DRAWING NO C=1601013 RESTRICTED TO - SCALE 6:1 SHEET 1 OF 1 REV D3

单击下面可查看定价，库存，交付和生命周期等信息

[>>TE Connectivity\(泰科\)](#)