

LOC	DIST	REVISIONS					
		P	LTR	DESCRIPTION	DATE	DWN	APVD
AI	-		A	NEW DRAWING CREATED	23FEB2007	Abr	Brun

CUSTOMER DRAWING  
Kundenzzeichnung

1241978

SEE / siehe  
CUSTOMER DRAWING  
Kundenzzeichnung

1355047


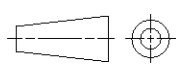
2007

RELEASED FOR PUBLICATION

THIS DRAWING IS UNPUBLISHED.

BY TYCO ELECTRONICS CORPORATION. ALL RIGHTS RESERVED.

© COPYRIGHT 2007

DIMENSIONS: mm	DWN Abraham, G.	23FEB2007	MATERIAL	-	FINISH	-
	CHK Brunner, M.	23FEB2007	 tyco Electronics AMP GmbH 64625 Bensheim (Germany)			
TOLERANCES UNLESS OTHERWISE SPECIFIED:  0 PLC ± 1 PLC ± 2 PLC ± 3 PLC ± 4 PLC ± ANGLES ±°	APVD	-	NAME JUNIOR POWER TIMER TYPE A			
	PRODUCT SPEC	-	SIZE	CAGE CODE	DRAWING NO	RESTRICTED TO
	APPLICATION SPEC	-	A 4	00779	Ⓒ= 1241978	-
	WEIGHT	-	CUSTOMER DRAWING			
		SCALE		-	SHEET 1 OF 1	REV A

单击下面可查看定价，库存，交付和生命周期等信息

[>>TE Connectivity\(泰科\)](#)