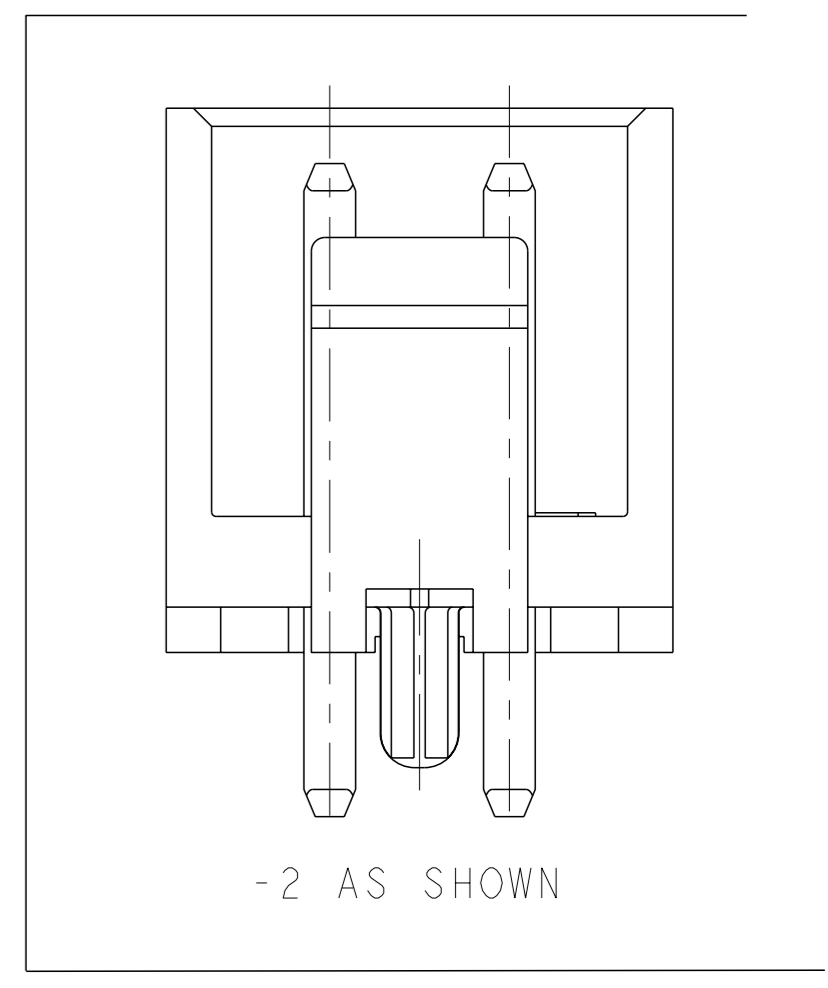
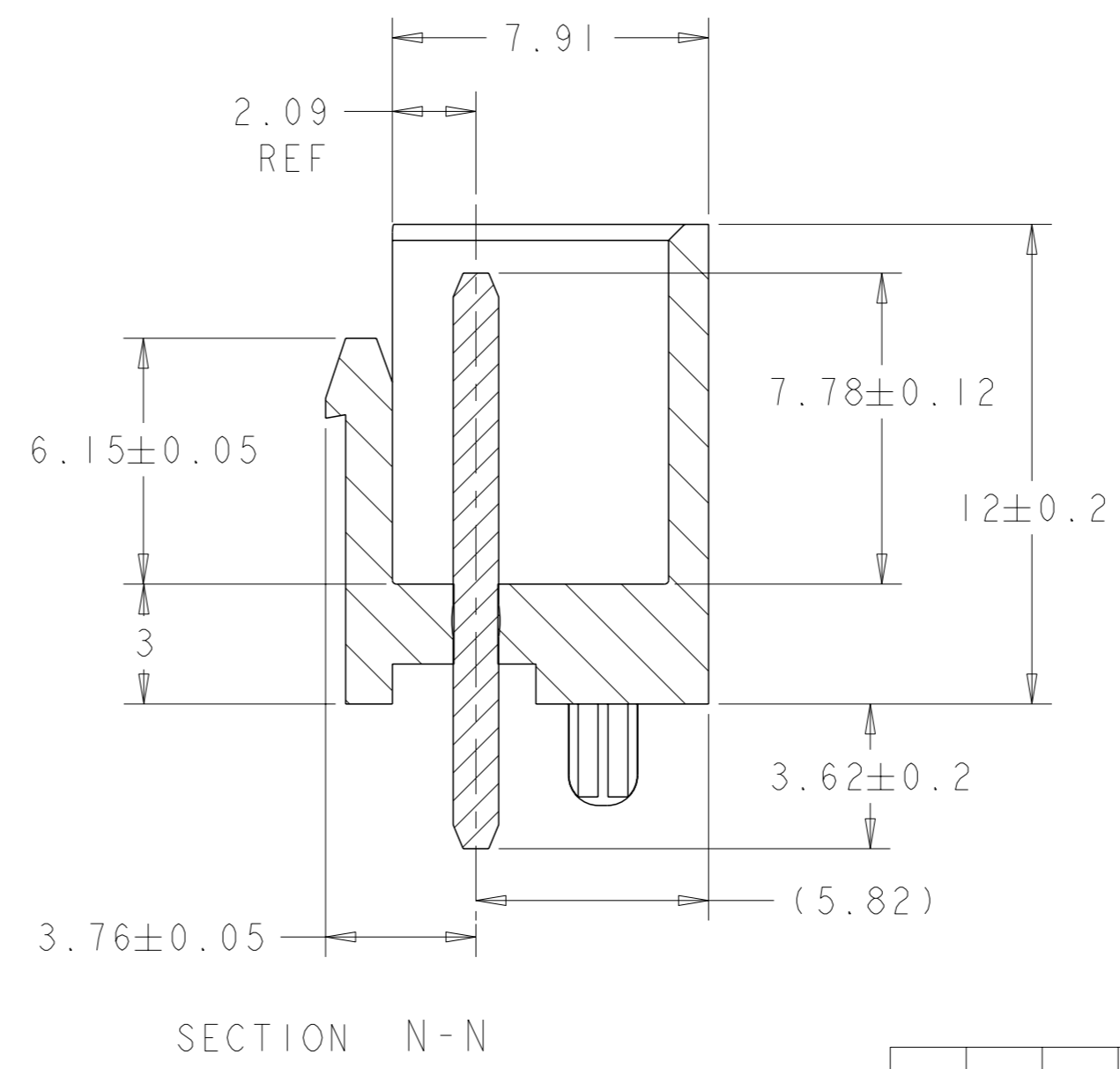
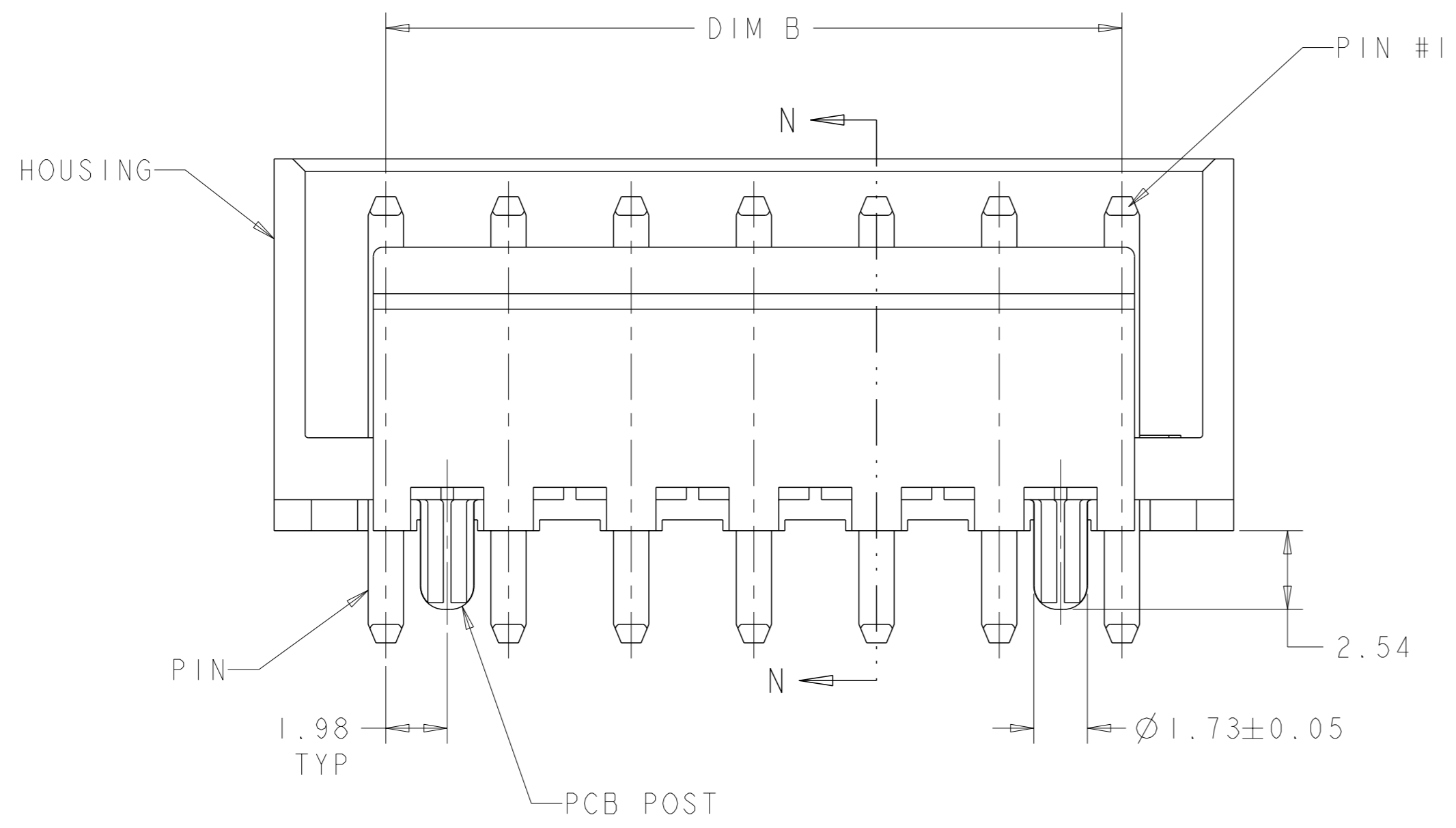
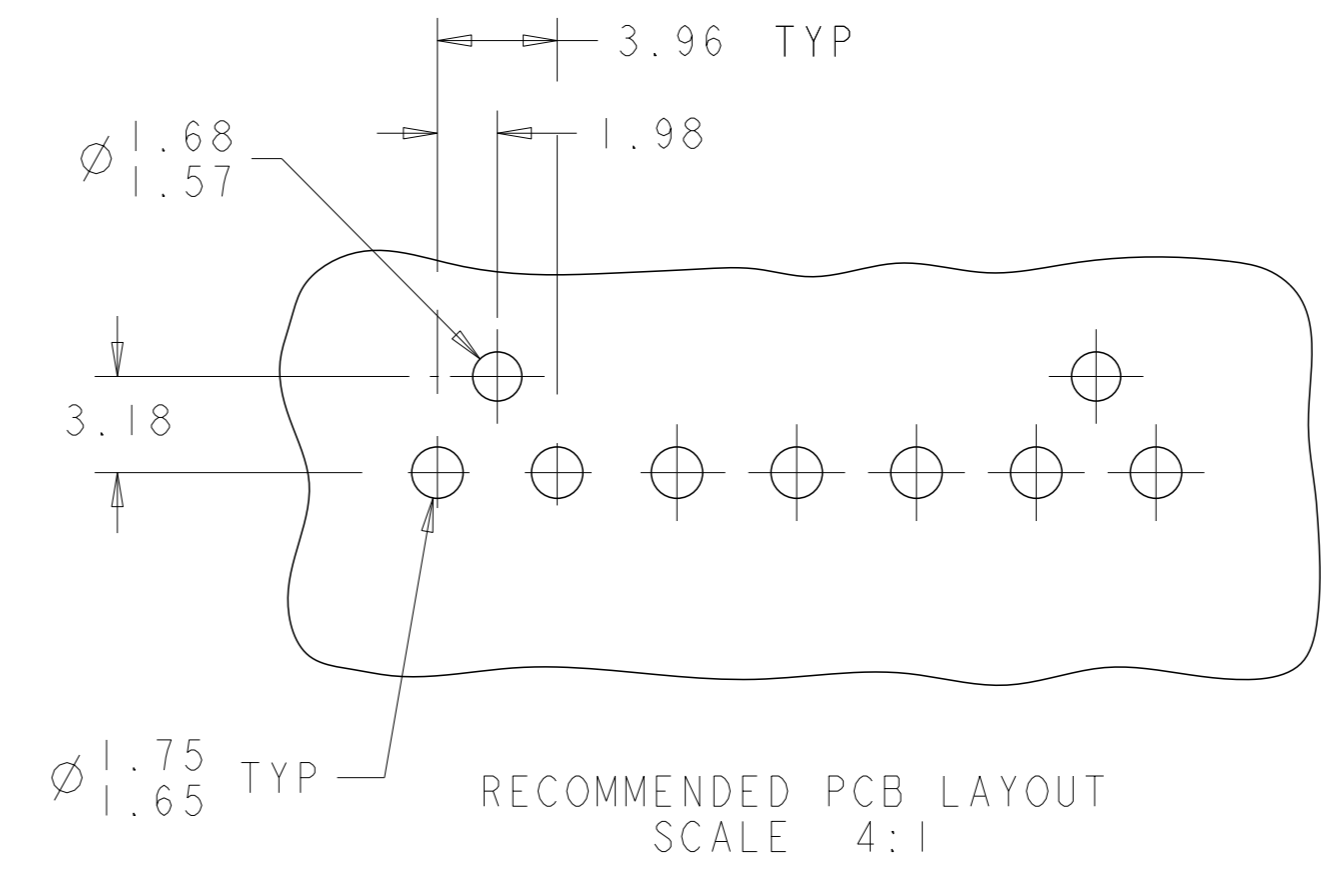
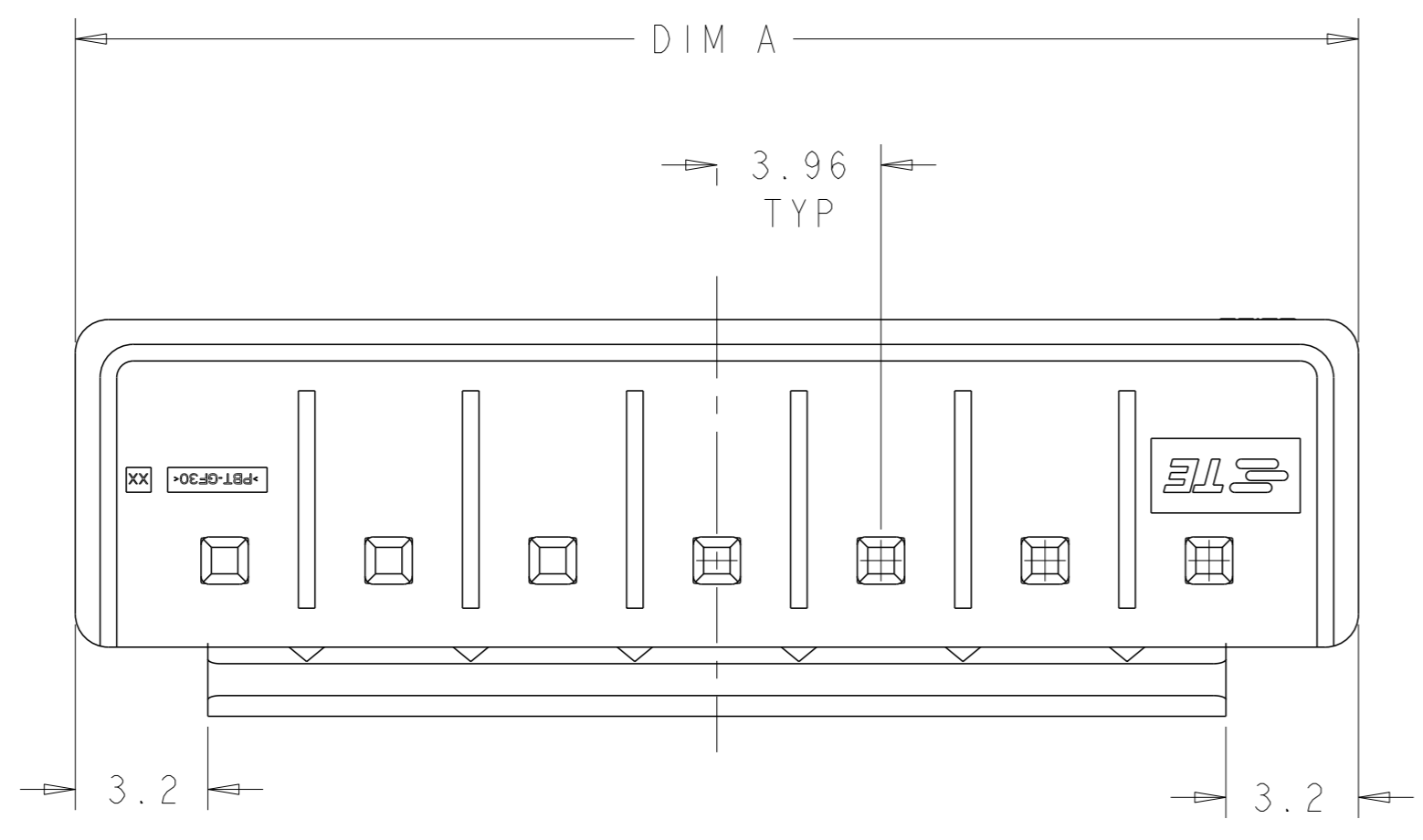


LOC		DIST		REVISIONS			
GP	00	P	LYR	DESCRIPTION	DATE	OWN	APVD
		J1		REVISED PER ECR-17-012916	04AUG2017	WH	DZ

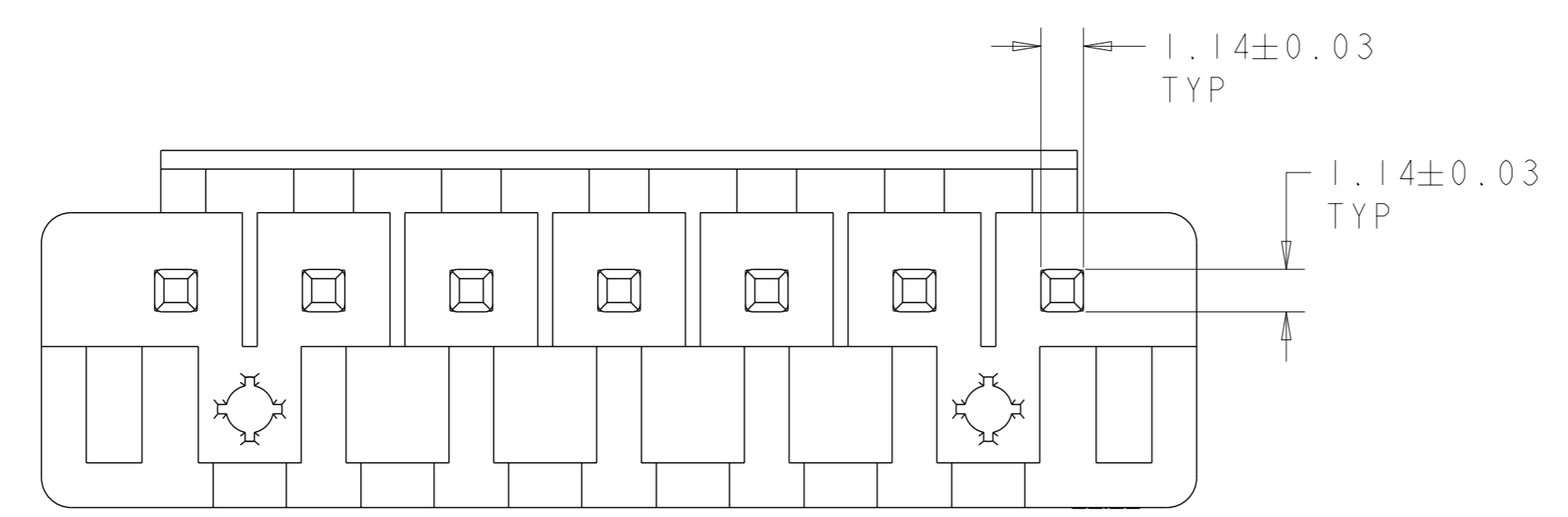
△ MATERIAL: HOUSING; PBT GLASS FILLED UL94V-0  
 HOUSING COLOR - NATURAL  
 PIN; BRASS

△ FINISH: PIN, 1.0μ MIN TIN OVER 0.8 MIN NICKEL.



"X" INDICATES PIN IS OMITTED AT THAT POSITION

OBSOLETE	0	0	0	0	0	0	0	0	0	0	0	15.84	23.05	5	2-1744357-0
OBSOLETE	0	0	0	0	0	0	0	0	0	0	0	43.56	50.77	12	<del>1-1744357-2</del>
OBSOLETE		0	0	0	0	0	0	0	0	0	0	39.60	46.81	11	<del>1-1744357-1</del>
OBSOLETE			0	0	0	0	0	0	0	0	0	35.64	42.85	10	<del>1-1744357-0</del>
				0	0	0	0	0	0	0	0	31.68	38.89	9	1744357-9
					0	0	0	0	0	0	0	27.72	34.93	8	1744357-8
						0	0	0	0	0	0	23.76	30.97	7	1744357-7
							0	0	0	0	0	19.80	27.01	6	1744357-6
								0	0	0	0	15.84	23.05	5	1744357-5
									0	0	0	11.88	19.09	4	1744357-4
										0	0	7.92	15.13	3	1744357-3
											0	3.96	11.17	2	1744357-2
	12	11	10	9	8	7	6	5	4	3	2	1			
	PIN POSITION											DIM B	DIM A	POS	ASSEMBLY PART NUMBERS



THIS DRAWING IS A CONTROLLED DOCUMENT.

DIMENSIONS: mm

TOLERANCES UNLESS OTHERWISE SPECIFIED:

0 PLC	±
1 PLC	±0.10
2 PLC	±
3 PLC	±
4 PLC	±

ANGLES FINISH

MATERIAL: △

APPROVED: S. RIDGILL 17DEC2008

NAME: SHROUDED HEADER ASSEMBLY, SINGLE LATCH, 3.96mm PITCH, ECONOMY POWER (EP)

SIZE: A1 00779 ©=1744357

Customer Drawing SCALE 6:1 SHEET 1 OF 1 REV J1

单击下面可查看定价，库存，交付和生命周期等信息

[>>TE Connectivity\(泰科\)](#)