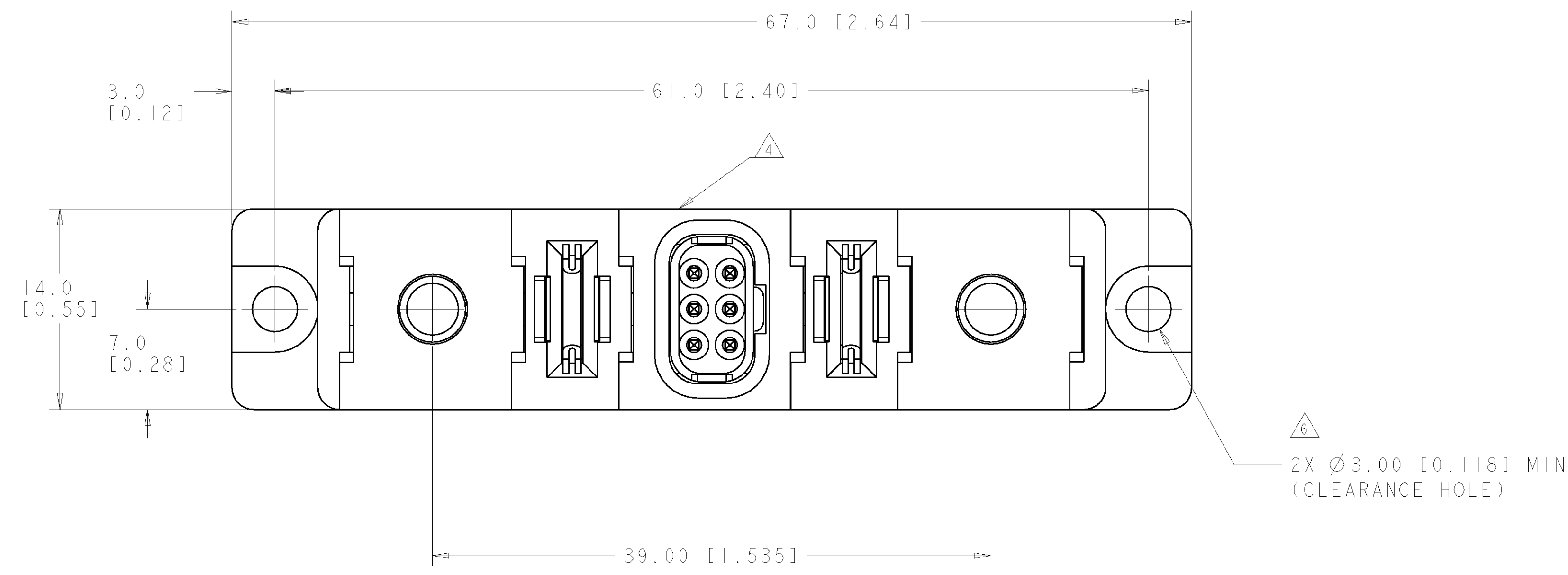


LOC	DIST	REV	DESCRIPTION	DATE	DWN	APVD
GP	00	A	RELEASED	24JAN2006	RG	PD

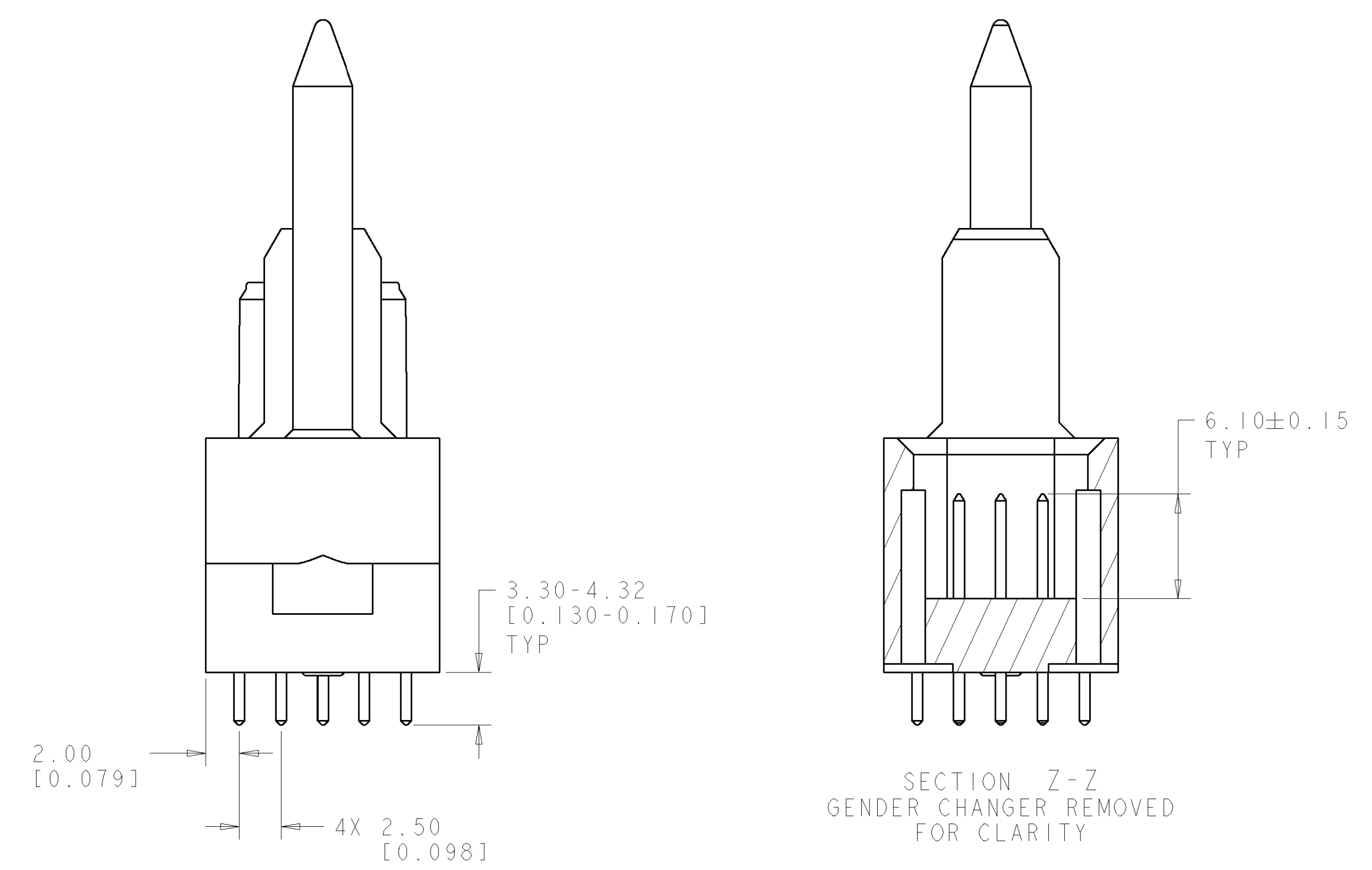
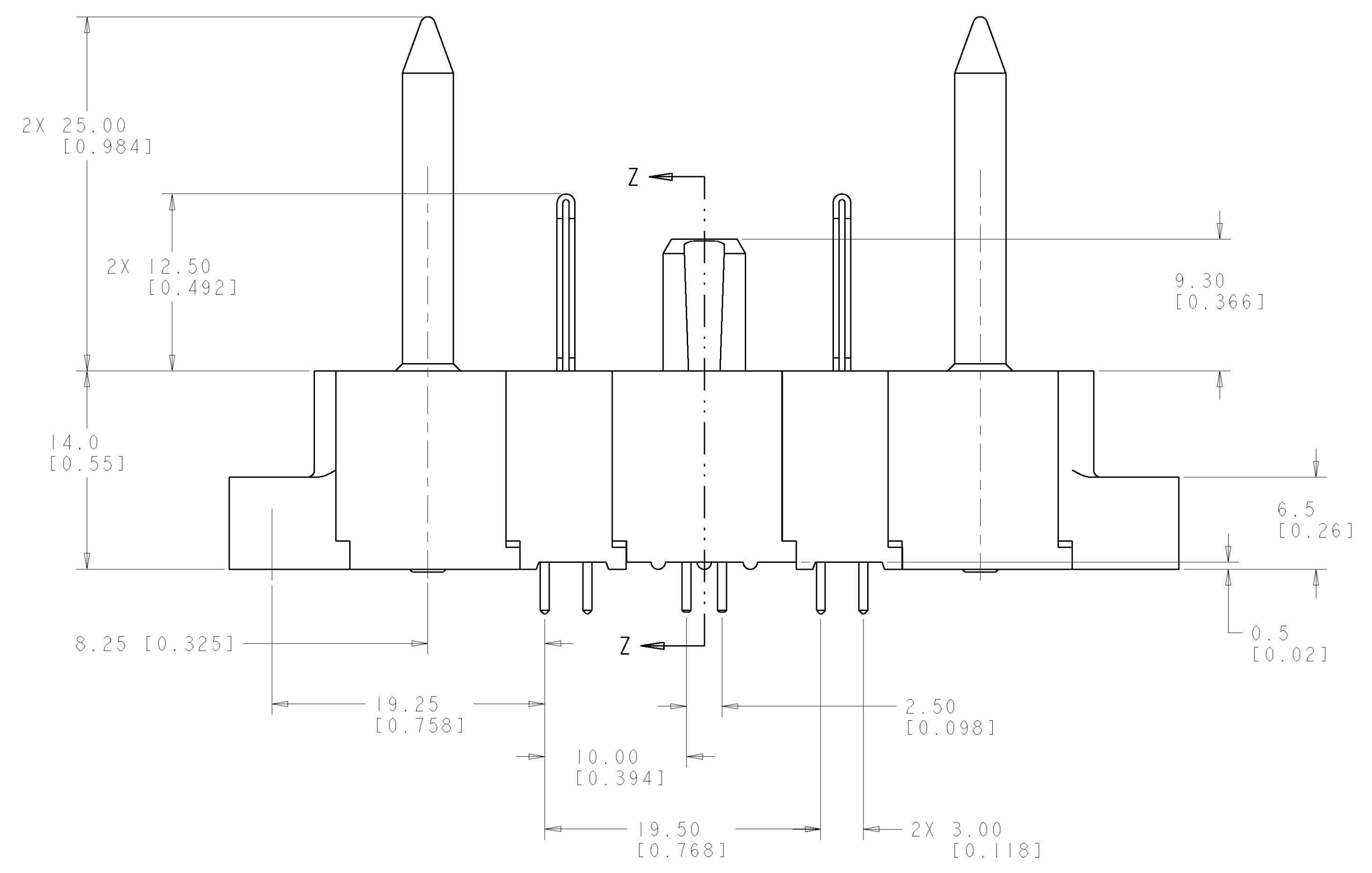


- PART NUMBER CHANGES AND OR DESIGN CHANGES AFFECTING ITEM INTERCHANGEABILITY REQUIRE PRIOR TYCO APPROVAL AND AUTHORIZATION BY REVISION TO THIS DRAWING.
- MATERIAL:  
 INSULATORS - THERMOPLASTIC, GLASS REINFORCED, COLOR: BLACK  
 UL94V-0 FLAMMABILITY RATED.  
 POWER CONTACTS - PHOSPHOR BRONZE ALLOY,  
 COPPER ALLOY  
 CROWN BANDS - BERYLLIUM COPPER ALLOY  
 SIGNAL CONTACTS - BRASS ALLOY
- FINISH:  
 CONTACTS - GOLD PLATE .000030" MIN. THK., OVER NICKEL,  
 .000050" MIN. THK  
 SOLDER TAILS TIN .000100" MIN. THK. OVER NICKEL  
 .000050" MIN THK.

△ ITEMS PROVIDED TO THIS SPECIFICATION TO BE PERMANENTLY IDENTIFIED PER THE FOLLOWING IDENTIFIER LABEL

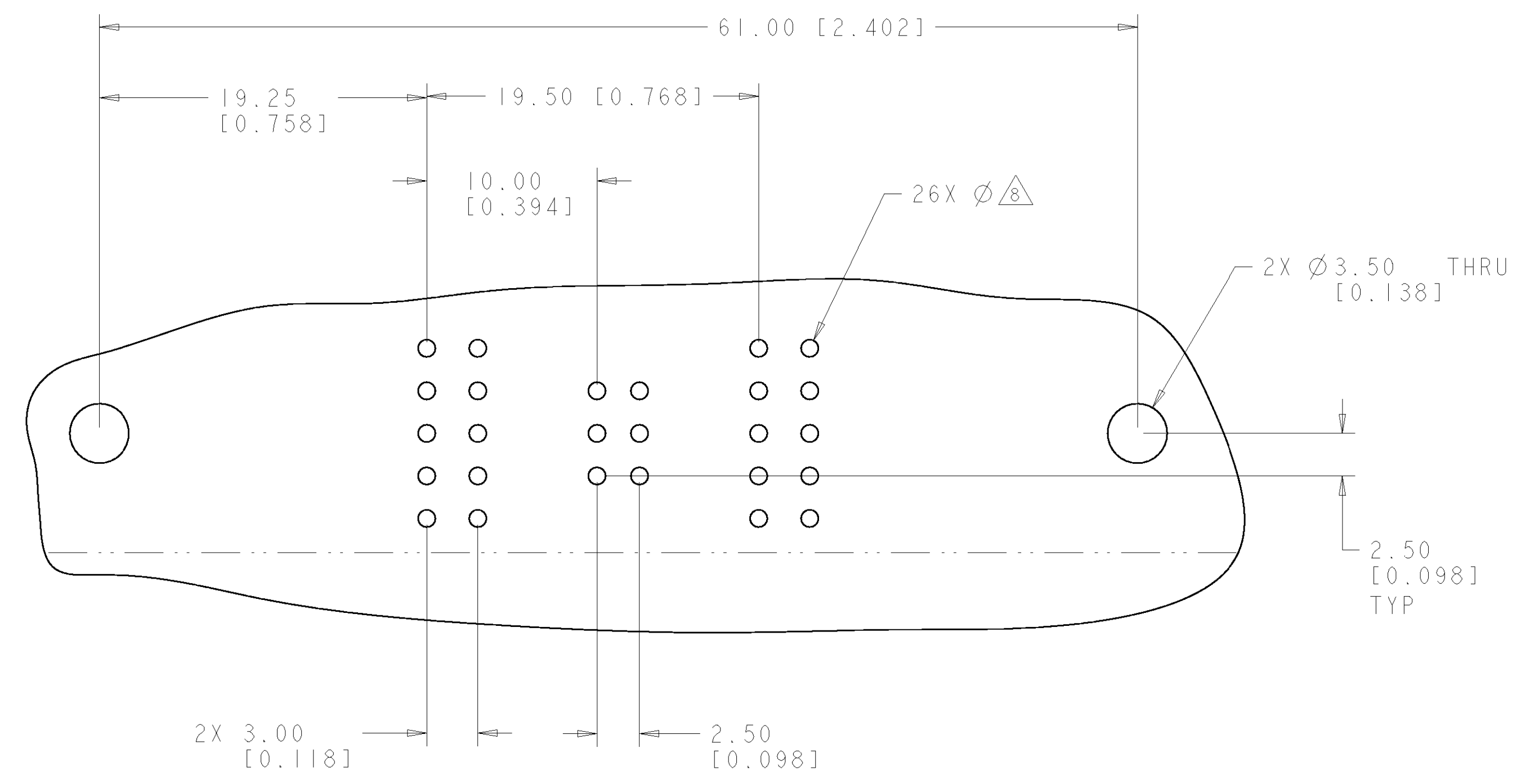
YEAR WEEK  
 TYCO PART NO. DATE CODE (e.g. 0106)  
 XXXXXXXX-X XXXX

- MATES WITH TYCO P/N 6766300-1
- MOUNTING FLANGES ACCEPT M3 OR #4-40 SCREWS (USER SUPPLIED)



AS SHOWN		6766301-1	
DESCRIPTION		PART NUMBER	
DIMENSIONS: mm [INCHES] TOLERANCES UNLESS OTHERWISE SPECIFIED: 0 PLC ±.5 [0.020] 1 PLC ±.5 [0.020] 2 PLC ±.25 [0.010] 3 PLC ±.25 [0.010] 4 PLC ±.25 [0.010] ANGLES ±.5		DWN R. GRZYBOWSKI 230CT06 ENY M. PERCHERKE 230CT06 APVD S. FLICKINGER 230CT06 PRODUCT SPEC APPLICATION SPEC WEIGHT CUSTOMER DRAWING	
MATERIAL FINISH		NAME SIZE CAGE CODE DRAWING NO RESTRICTED TO	
tyco Electronics Tyco Electronics Harrisburg, PA 17105-3608		PIN CONNECTOR, FLATPAQ STRAIGHT SOLDER TAILS A100779C=6766301 SCALE 4:1 SHEET 1 OF 3 REV A	

LOC	DIST	REVISIONS			
P	LTR	DESCRIPTION	DATE	DNW	APVD
-	-	SEE SHEET 1	-	-	-



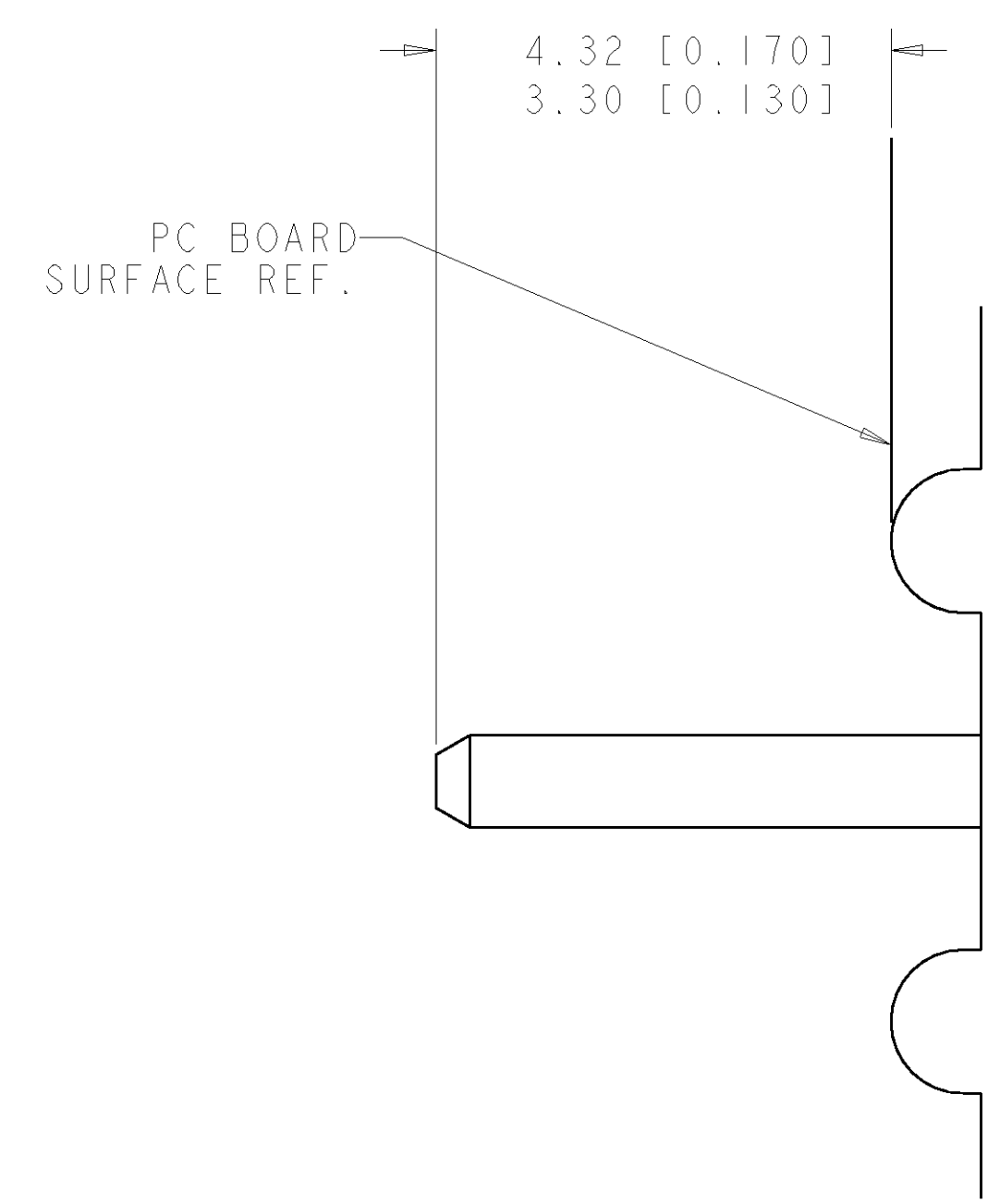
PRINTED CIRCUIT LAYOUT  
 SCALE 4:1

CONNECTOR	CATALOG MODULE #	QTY	SIZE NO.	CONTACT QTY	MATING PIN	MAX. CURRENT (PER CONTACT)	CONTACT SPACING	VOLTAGE RATING
SOCKET	FP102	2	8	2	1.25 X 7.00 [.049 X .276]	35 amps	7.50 [.2953]	250
	FP313	1	22	6	.64 [.025] SQ.	3 amps	2.50 [.0984]	125 VOLTS
	FP500	1	LEFT MOUNTING FLANGE					
	FP501	1	RIGHT MOUNTING FLANGE					
	FP503	2	STRAIGHT GUIDE PIN					

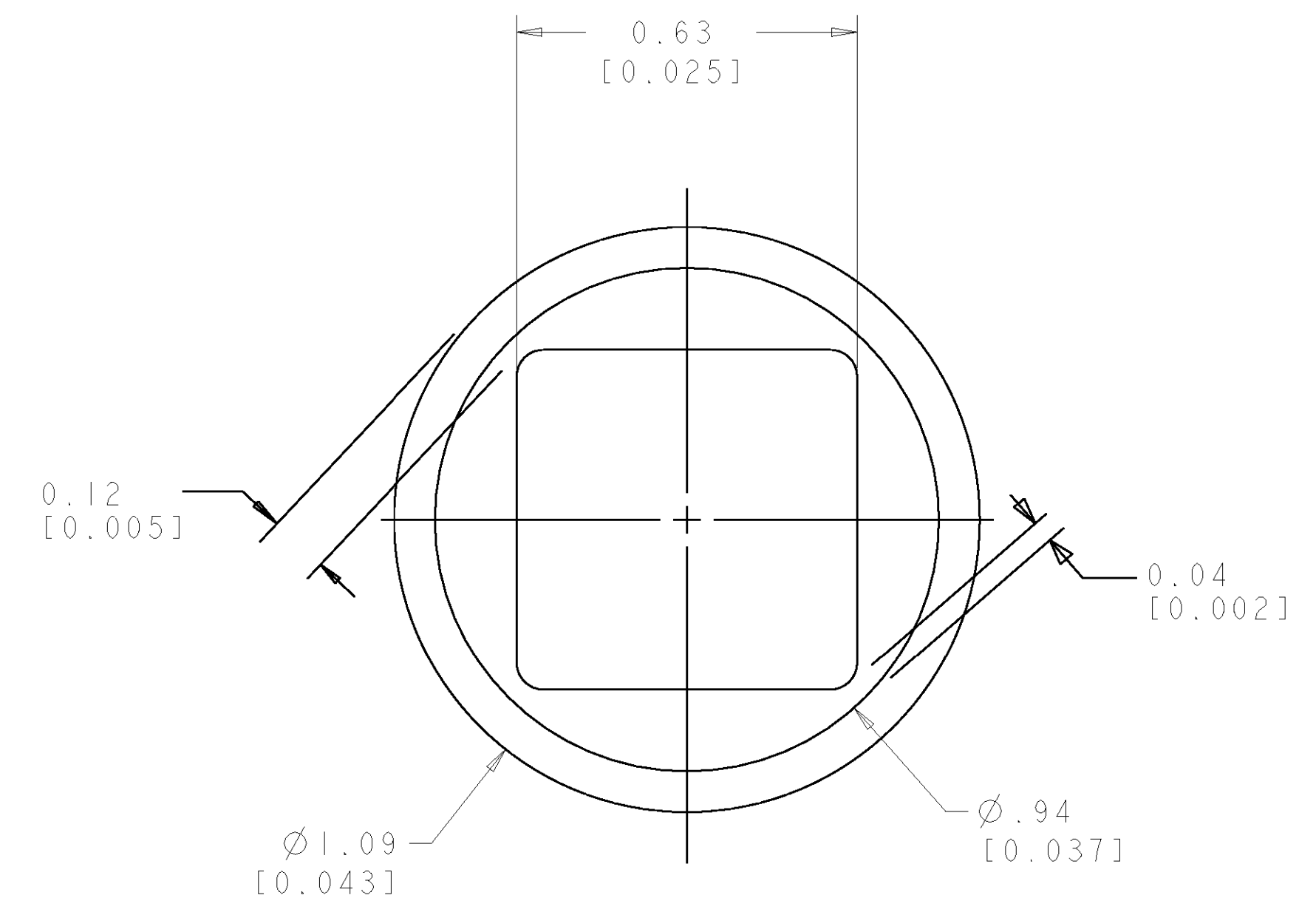
ELCON FLATPAQ

<small>THE INFORMATION CONTAINED HEREIN IS UNCLASSIFIED EXCEPT WHERE SHOWN OTHERWISE. IT IS THE PROPERTY OF TYCO ELECTRONICS CORPORATION AND IS TO BE CONTAINED AND CONTROLLED BY THE USER'S ORGANIZATION UNDER THE CONTROL OF TYCO ELECTRONICS CORPORATION.</small>		DWN B. GRZYBOWSKI 230CT06	<b>tyco</b> Electronics Tyco Electronics Harrisburg, PA 17105-3608
DIMENSIONS: mm [INCHES]		ENR M. PERCHERKE 230CT06	NAME S. FLICKINGER 230CT06
TOLERANCES UNLESS OTHERWISE SPECIFIED: 0 PLC ± 1 PLC ±.5 [.020] 2 PLC ±.25 [.010] 3 PLC ± 4 PLC ± ANGLES ±.5		PRODUCT SPEC APPLICATION SPEC WEIGHT CUSTOMER DRAWING	PIN CONNECTOR, FLATPAQ STRAIGHT SOLDER TAILS SIZE CAGE CODE DRAWING NO. A100779C-6766301 RESTRICTED TO
MATERIAL FINISH		SCALE 4:1 SHEET 2 OF 3 REV A	DATE 10/779

LOC	DIST	REVISIONS			
P	LTR	DESCRIPTION	DATE	DNW	APVD
-	-	SEE SHEET 1	-	-	-



7. SOLDER TAIL DETAIL  
 SCALE 10 : 1



**SOLDER TERMINATION AREA**  
 SCALE 40:1  
 RECOMMENDED PRINTED CIRCUIT HOLE  
 SOLDER HOLE  
 FINISHED HOLE:  $\phi$  1.02 [0.040]  $\pm$ .008 [0.0003]  
 DRILLED HOLE:  $\phi$  1.15 [0.0453]  $\pm$ .013 [0.0005]  
 COPPER PLATE: .025 [0.0010] MIN  
 TIN PLATE: .008 [0.0003] MIN. (PER SURFACE)

ELCON FLATPAQ

<small>THIS DRAWING IS UNPUBLISHED. RELEASED FOR PUBLICATION. THIS DRAWING IS THE PROPERTY OF TYCO ELECTRONICS CORPORATION. IT IS TO BE USED ONLY FOR THE PURPOSES AND LIMITATIONS SPECIFIED HEREIN. ANY REPRODUCTION OR TRANSMISSION OF THIS DRAWING WITHOUT THE WRITTEN PERMISSION OF TYCO ELECTRONICS CORPORATION IS STRICTLY PROHIBITED.</small>		DWN B. GRZYBOWSKI 230CT06 ENR M. PERCHERKE 230CT06 APVD S. FLICKINGER 230CT06	<b>tyco</b> Electronics Tyco Electronics Harrisburg, PA 17105-3608
DIMENSIONS: mm [INCHES]	TOLERANCES UNLESS OTHERWISE SPECIFIED: 0 PLC $\pm$ 1 PLC $\pm$ .5 [0.020] 2 PLC $\pm$ .25 [0.010] 3 PLC $\pm$ 4 PLC $\pm$ ANGLES $\pm$ 5 FINISH -	PRODUCT SPEC - APPLICATION SPEC - WEIGHT - CUSTOMER DRAWING	NAME PIN CONNECTOR, FLATPAQ STRAIGHT SOLDER TAILS SIZE CAGE CODE DRAWING NO A100779C-6766301 RESTRICTED TO - SCALE 4:1 SHEET 3 OF 3 REV A

单击下面可查看定价，库存，交付和生命周期等信息

[>>TE Connectivity\(泰科\)](#)