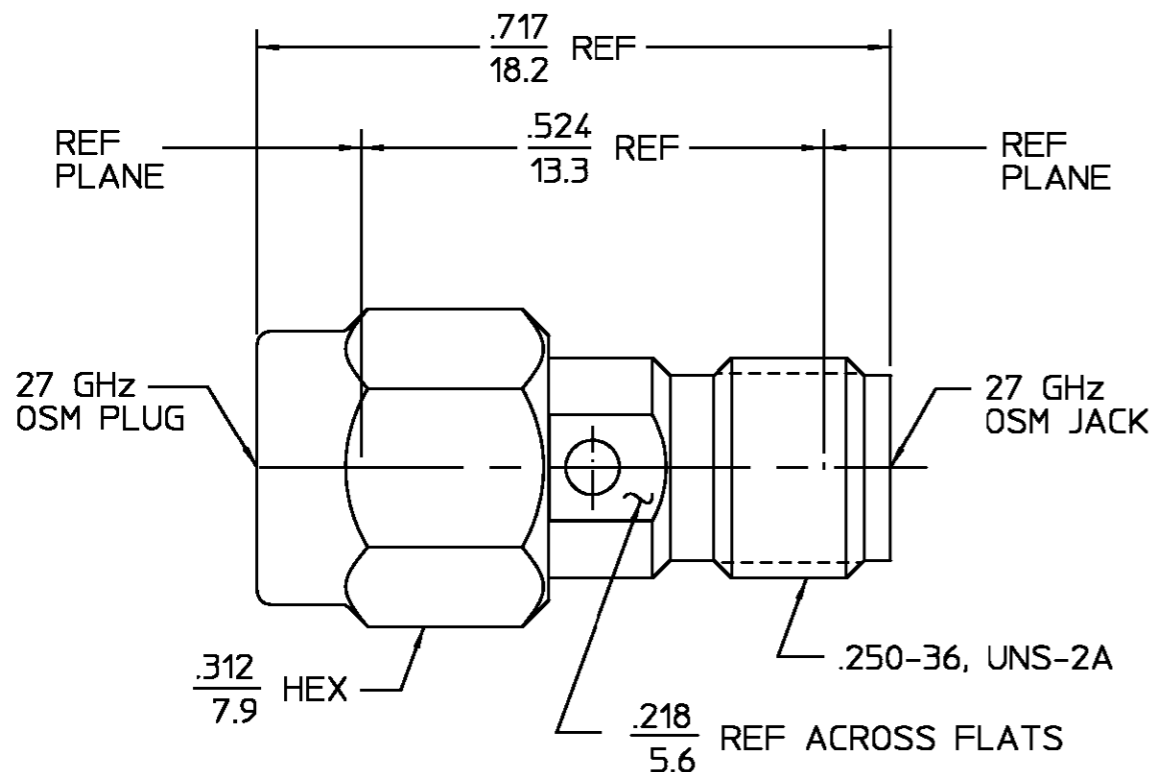


REVISIONS			
REV	DESCRIPTION	DATE	APPROVED
01 ₀	RELEASED	6/16/95	<i>DCamel</i>



ELECTRICAL	MECHANICAL	ENVIRONMENTAL
Nominal Impedance (Ohms) 50	Interface Dimensions MIL-STD-348A, Fig. 310.1 - PLUG	Temperature Rating -65°C to +165°C
Frequency Range (GHz) DC to 27.0	Fig. 310.2 - JACK	Vibration MIL-STD-202, Method 204, Condition D.
Volt Rating (VRMS MAX) @ Sea Level 335	Recommended Mating Torque 7 to 10 in-lbs	Shock MIL-STD-202, Method 213, Condition I
VSWR 1.05 ±.005 f(GHz)	Mating Characteristics:	Thermal Shock MIL-STD-202, Method 107, Condition C.
Insertion Loss (dB MAX) .03 √ f(GHz) DC to 18 GHz	Insertion (MAX Lbs) 3.0	Moisture Resistance MIL-STD-202, Method 106
.05 √ f(GHz) 18 to 27 GHz	Withdrawal (MIN Oz) 1.0	Corrosion - MIL-STD-202, Method 101, Condition B, 5% salt spray
RF Leakage (dB MIN) -[90-f(GHz)] Corona, 70,000 Ft (VRMS MIN) 250	Force to Engage and Disengage (In-Lbs MAX) 2.0	
Dielectric Withstanding Voltage (VRMS MIN) @ Sea Level 1,000	Center Contact Captivation Axial (Lbs) 6.0	
Contact Resistance (Milliohms MAX) Center Contact 4.0	Radial (In-Oz) 4.0	
Outer Contact 2.0	Cable Retention Axial Force (Lbs) N/A	
RF High Potential @ Sea Level (VRMS MIN @ 5 MHz) 670	Torque (In-Oz) N/A	
I.R.(Megohms MIN) 5,000	Weight (Grams) TBD	

COMPONENT	MATERIAL	FINISH
HOUSING COUPLING NUT	STAINLESS STEEL PER ASTM-A484 AND ASTM-A582, TYPE 303	PASSIVATE PER QQ-P-35
DIELECTRIC	TFE FLUOROCARBON PER ASTM-D-1457	N/A
CENTER CONTACT	BERYLLIUM COPPER PER ASTM B 196 OR ASTN-B-197 ALLOY C17300, CONDITION H	GOLD PLATE PER MIL-G-45204
RETAINING RING	BERYLLIUM COPPER PER ASTM B 194, ALLOY C17200, CONDITION H	N/A
GASKET	SILICONE RUBBER PER ZZ-R-765	N/A

UNLESS OTHERWISE SPECIFIED DIMENSIONS ARE IN INCHES		DRAWN BY <i>JANUAR</i> DATE 6/16/95		AMP Incorporated	
FRAC. ± 1/64	DEC. ±.005	ANGLES ± 1°	CHECKED BY	140 Fourth Avenue Waltham, MA 02451-7599	
These drawings and specifications are the property of M/A COM Interconnect Div. and shall not be reproduced or copied or used in whole or in part as the basis for the manufacture or sale of item(s) without written permission.			APPD BY <i>DCamel</i> 6/16/95	AMP	
USE ASSY PROCEDURE		TITLE OSM HIGH FREQUENCY (27GHz) PLUG TO JACK ADAPTER			
NO. A.P. N/A		SIZE B	CODE IDENT NO. 26805	2782-5004-02	REV 01 ₀
SCALE 10 : 1		N/A		SHEET 1 OF 1	

CUSTOMER DRAWING

AMP PART # 1056344-1
SHEET 1 OF 1 REV A

单击下面可查看定价，库存，交付和生命周期等信息

[>>TE Connectivity\(泰科\)](#)