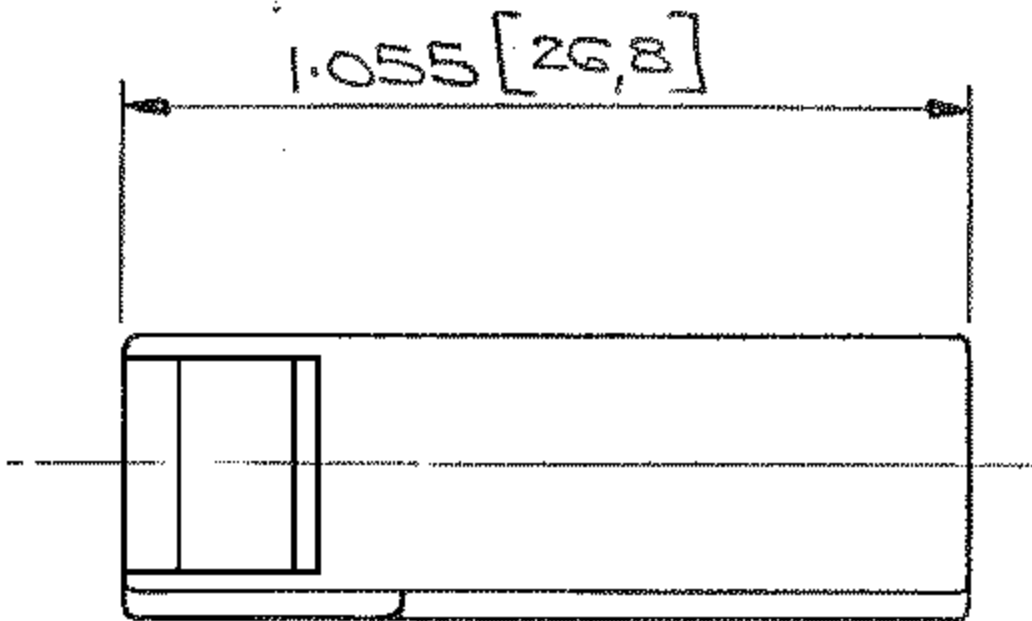
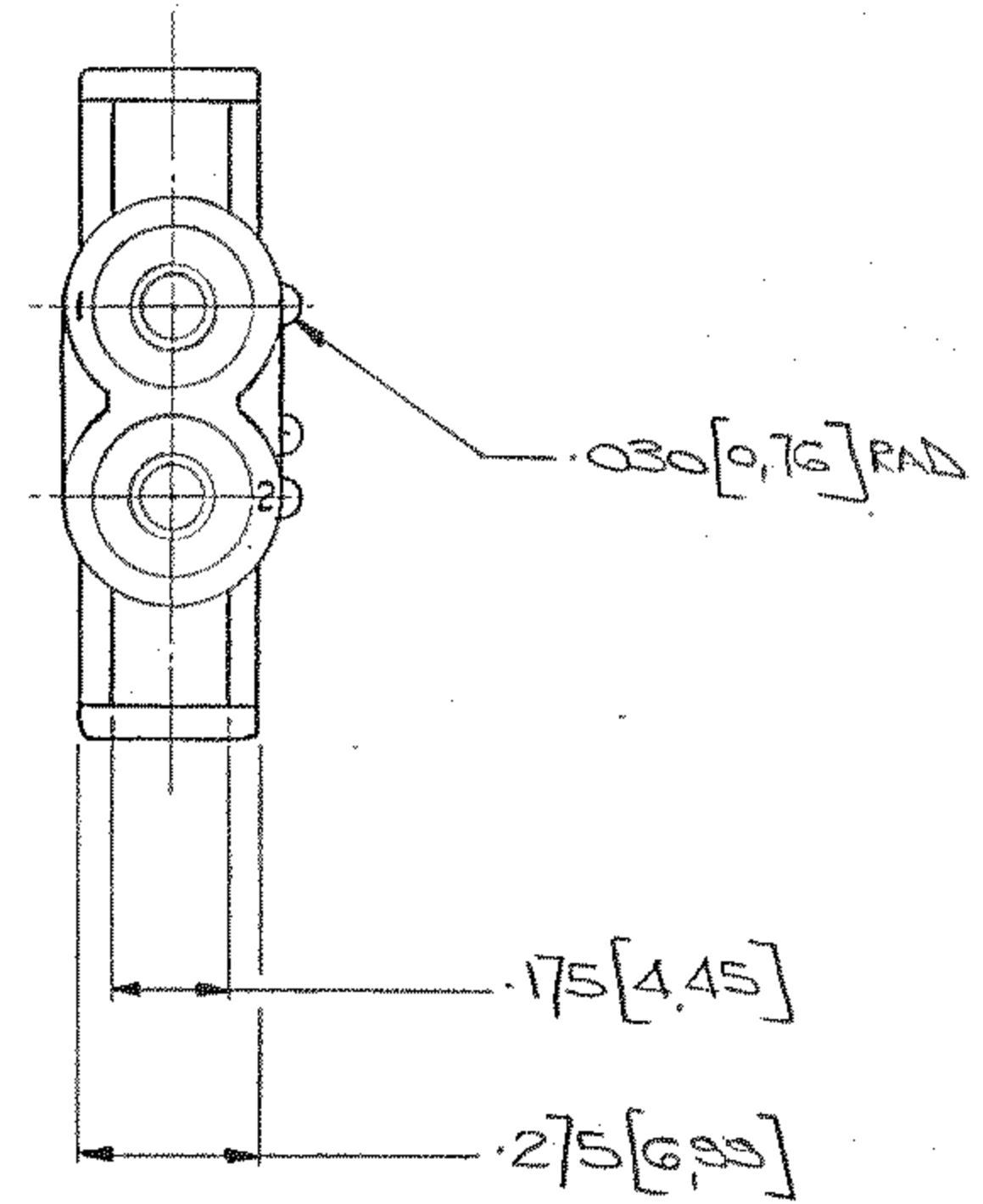
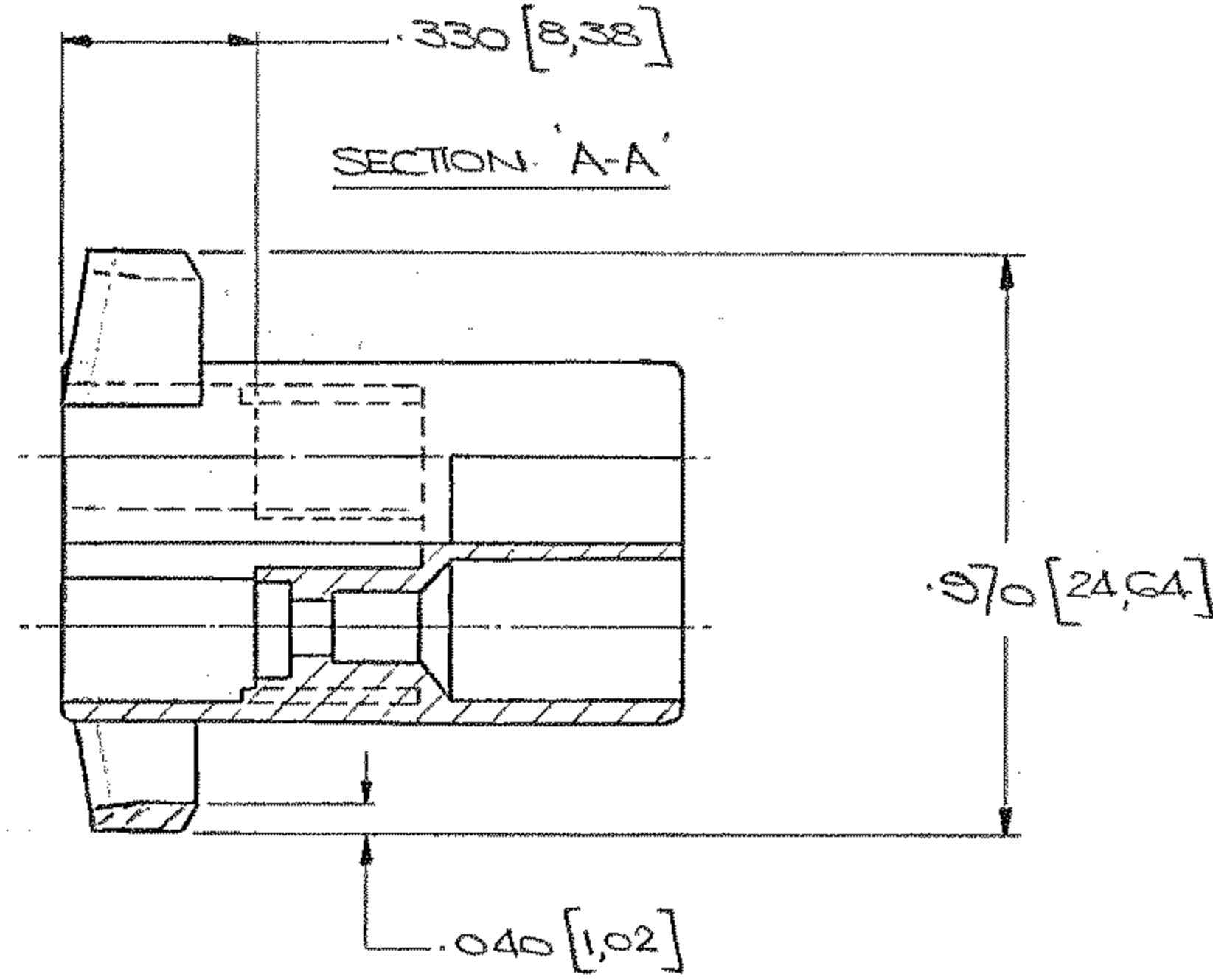
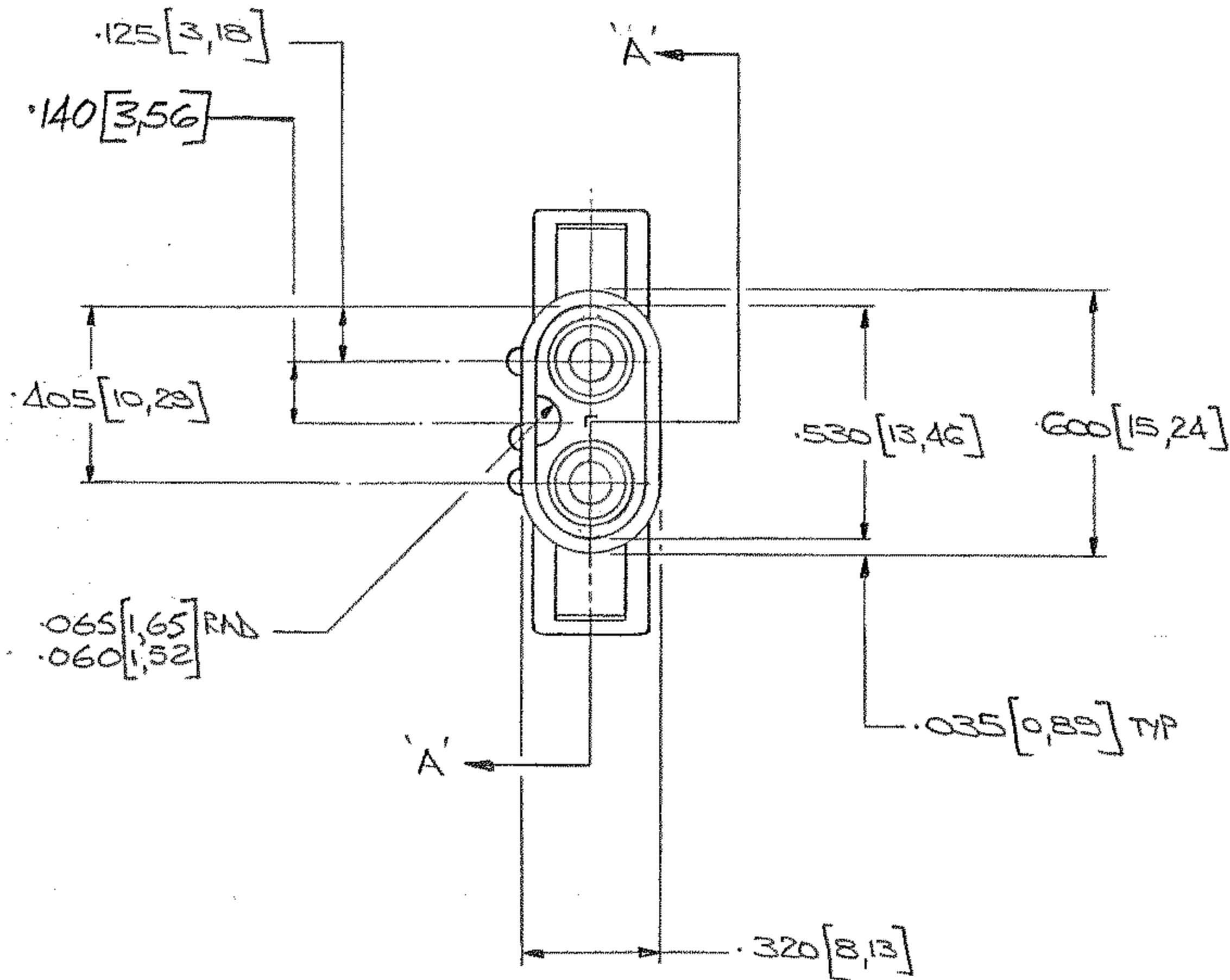


1 OBSOLETE PARTS: OBSOLETE CIS STREAMLINING PER
D.RENAUD/D.SINISI

NUMBER
C 151679



	2-151679-0	NATURAL	NYLON TO UL94 V0
OBSOLETE	1-151679-0	NATURAL	NYLON TO UL94 V0
	151679-9	BLACK	NYLON 6-6
	-8	GREY	
	-7	VIOLET	
OBSOLETE	-6	BLUE	
OBSOLETE	-5	GREEN	
1	-4	YELLOW	
	-3	ORANGE	
OBSOLETE	-2	RED	
	-1	BROWN	
	151679-0	NATURAL	NYLON 6-6
	PART NUMBER	COLOR	MATL.

M2 ECR-10-022530					KK HMR		02FEB11		MATERIAL AND FINISH SEE TABLE		CUSTOMER COPY REFERENCE ONLY	
M1 REVISED PER ECO-09-022178					KK		22/09/09		CLASS		TE Connectivity	
M ECR-07-011558					MG		16/05/07		WIRE -- RANGE -- INSULATION		TYPE	
LTR REVISION RECORD					DR		CHK		DATE		TOLERANCE EXCEPT AS NOTED ± .015 [0,4] ± 1° 0'	
DR <i>D. Stulson</i>					DATE <i>8/1/67</i>		APP <i>[Signature]</i>		SCALE 2-1		LOC E	
									NO G-151679		REV M2	
2-WAY MATE-N-LOK PIN HOUSING												

PRINT DIST.

单击下面可查看定价，库存，交付和生命周期等信息

[>>TE Connectivity\(泰科\)](#)