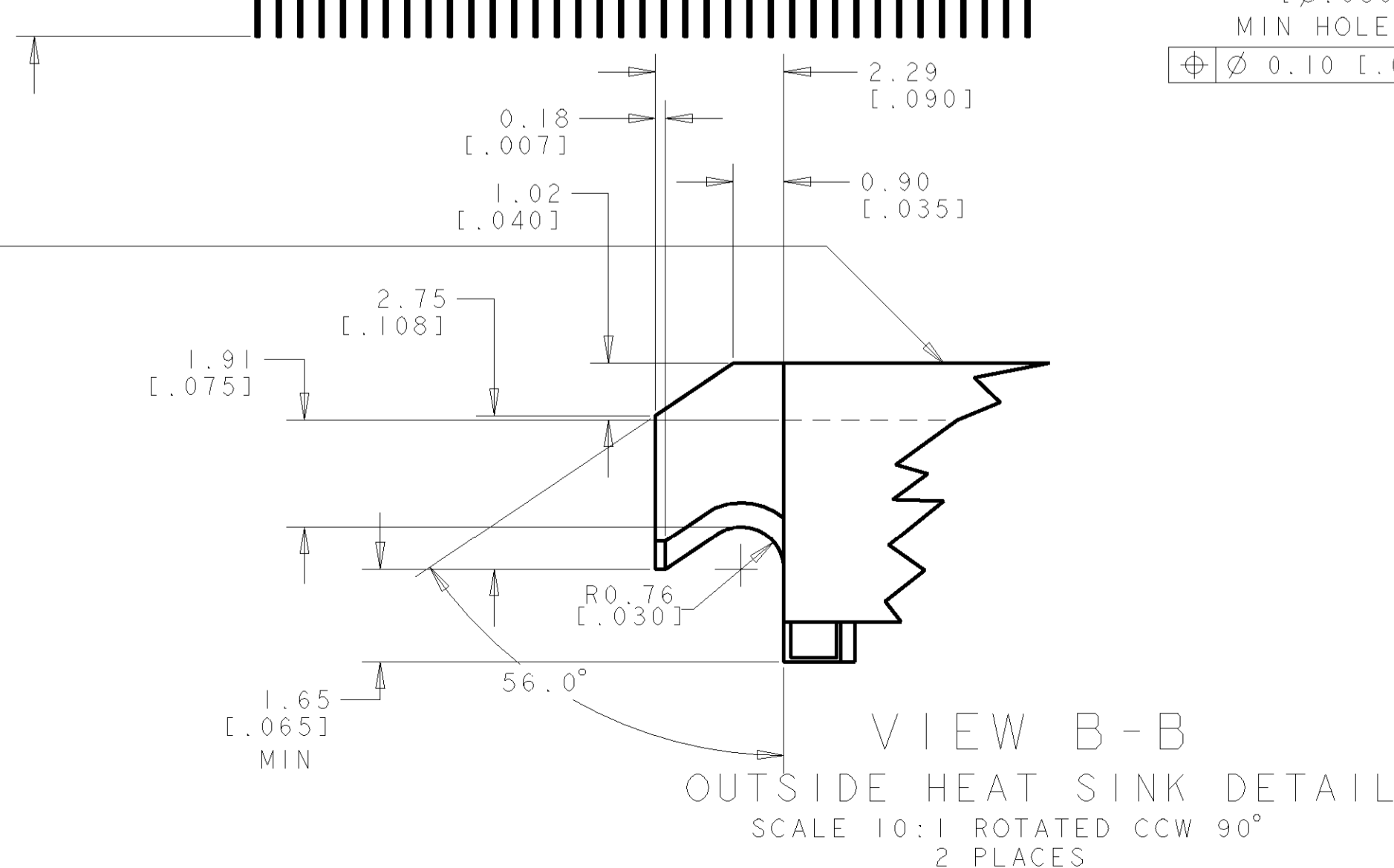
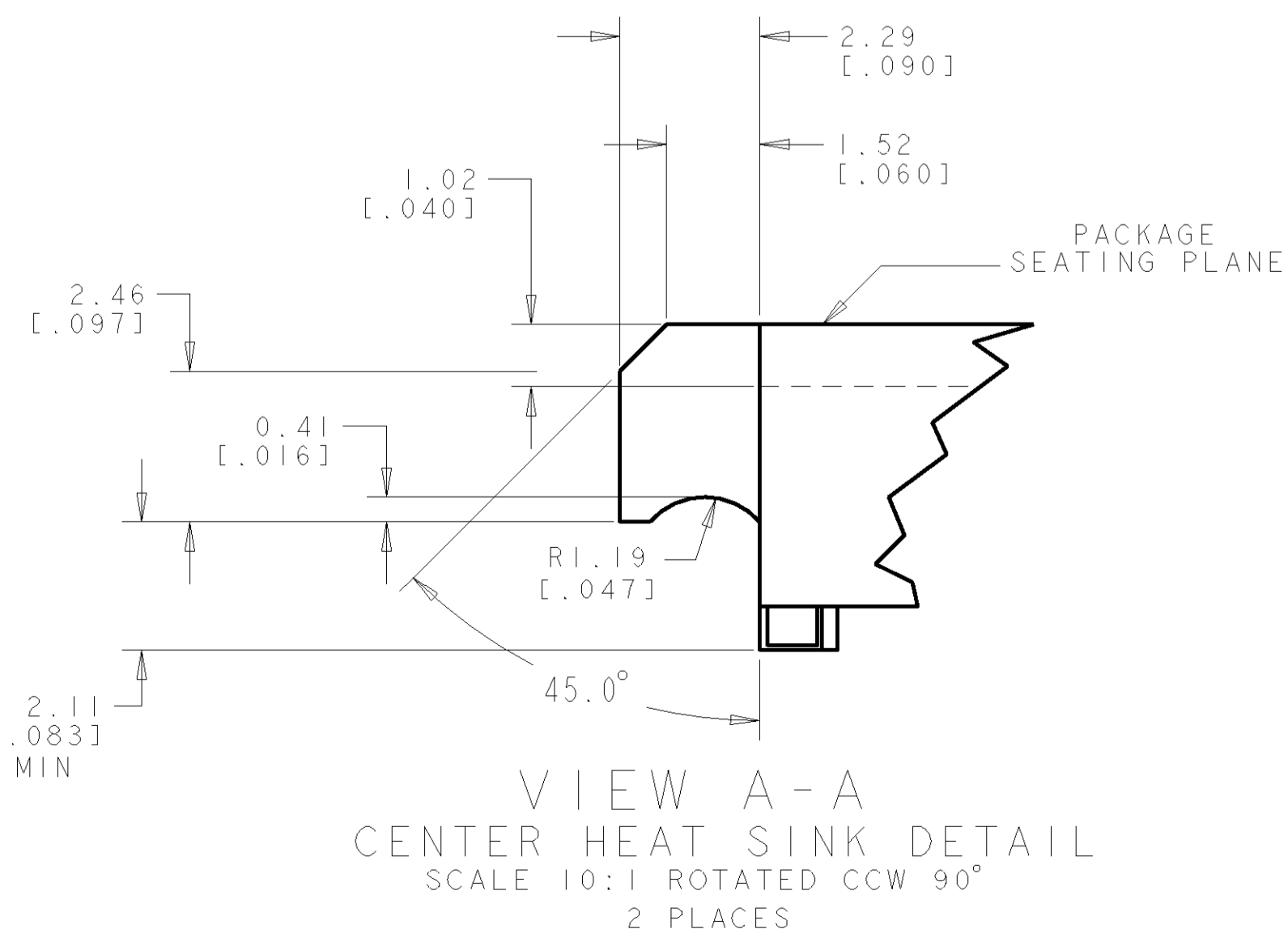
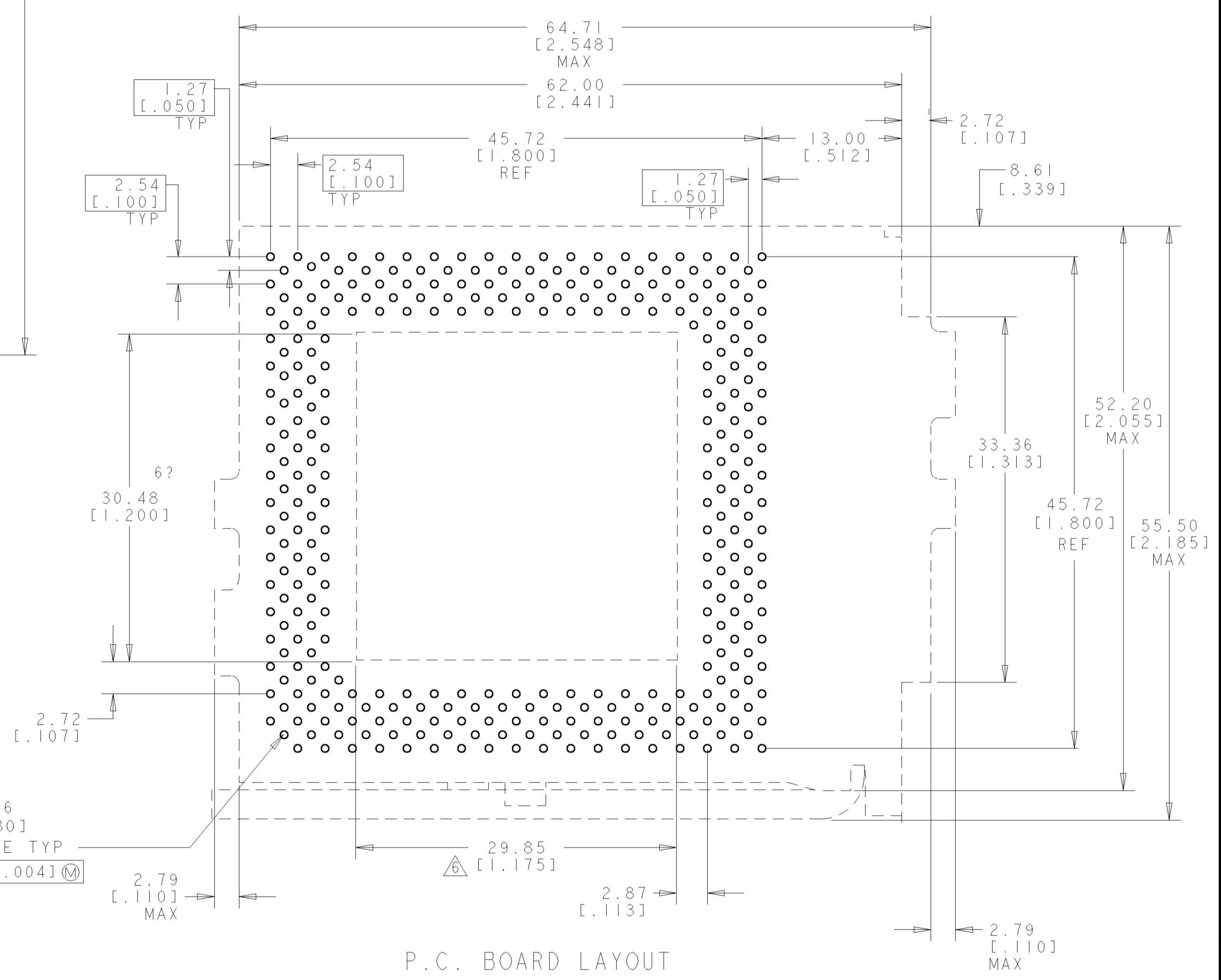


- 1 HANDLE IS SHOWN IN THE 'ON' POSITION
- 2 SOCKET WILL ACCEPT ANY P.G.A. PACKAGE WITH A PIN $\varnothing 0.46 \pm 0.05$ [$\varnothing 0.018 \pm 0.002$] AND A LENGTH OF 2.54-3.30 [.100-.130] LOCATED ON TRUE POSITION OF 0.20 [.008] (M)
- 3 MAX DIMENSION INCLUDING HANDLE
- 4 MATERIAL; HOUSING AND COVER ARE THERMOPLASTIC. COLOR-NATURAL. CONTACTS ARE COPPER ALLOY. ACTUATOR IS STAINLESS STEEL.
- 5 FINISH; CONTACT AREA-0.00076 [.000030] MIN. THICK GOLD OVER 0.00127 [.000050] MIN. THICK NICKEL PLATE SOLDER TAIL-0.00381 [.000150] MIN. THICK TIN-LEAD OVER 0.00127 [.000050] MIN. THICK NICKEL PLATE. CONTACT AREA SHALL BE FREE OF LUBRICANT.
- 6 DIMENSIONS INDICATE MIN. OPEN CENTER THROUGH SOCKET.
- 7 SEATING PLANE OF PGA PACKAGE IN SOCKET IS ON CERAMIC SURFACE OF PACKAGE.
- 8 DIMENSION INDICATES MIN. HOLE IN COVER OF SOCKET.



90	2.79 [.110]	321	916657-3
90	2.36 [.093]	321	916657-2
90	2.03 [.080]	321	916657-1
TRAY PACKAGED NUMBER OF SOCKETS PER SHIPPING BOX	DIM A	POSITION	PART NUMBER

DIMENSIONS: mm (INCHES)		TOLERANCES UNLESS OTHERWISE SPECIFIED:		DWG W. SORAH 6-15-95		AMP MANUFACTURING (SINGAPORE) PTE. LTD.	
0 PLC	±	1 PLC	±	CHK R. TALLEY 6-15-95	NAME SOCKET ASSY, SINGLE LEVER ZIF, PGA, 19 X 19 GRID, LOW PROFILE, RIGHT HAND		
2 PLC	±	3 PLC	±	APPD S.F. LEONG	SIZE	CAGE CODE	DRAWING NO.
4 PLC	±	ANGLES	±	PRODUCT SPEC	A1	00779	916657
MATERIAL 42 FINISH 57				WEIGHT		CUSTOMER DRAWING	
				SCALE 3:1		SHEET OF REV F	

单击下面可查看定价，库存，交付和生命周期等信息

[>>TE Connectivity\(泰科\)](#)