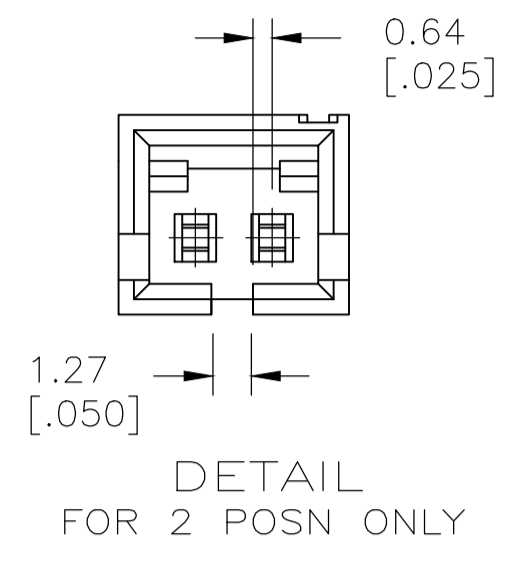
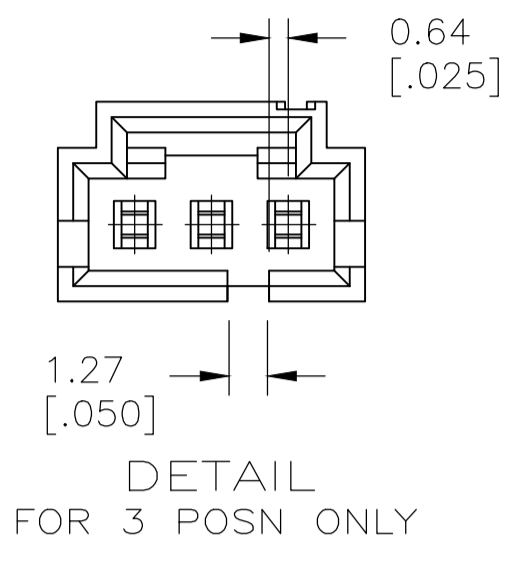
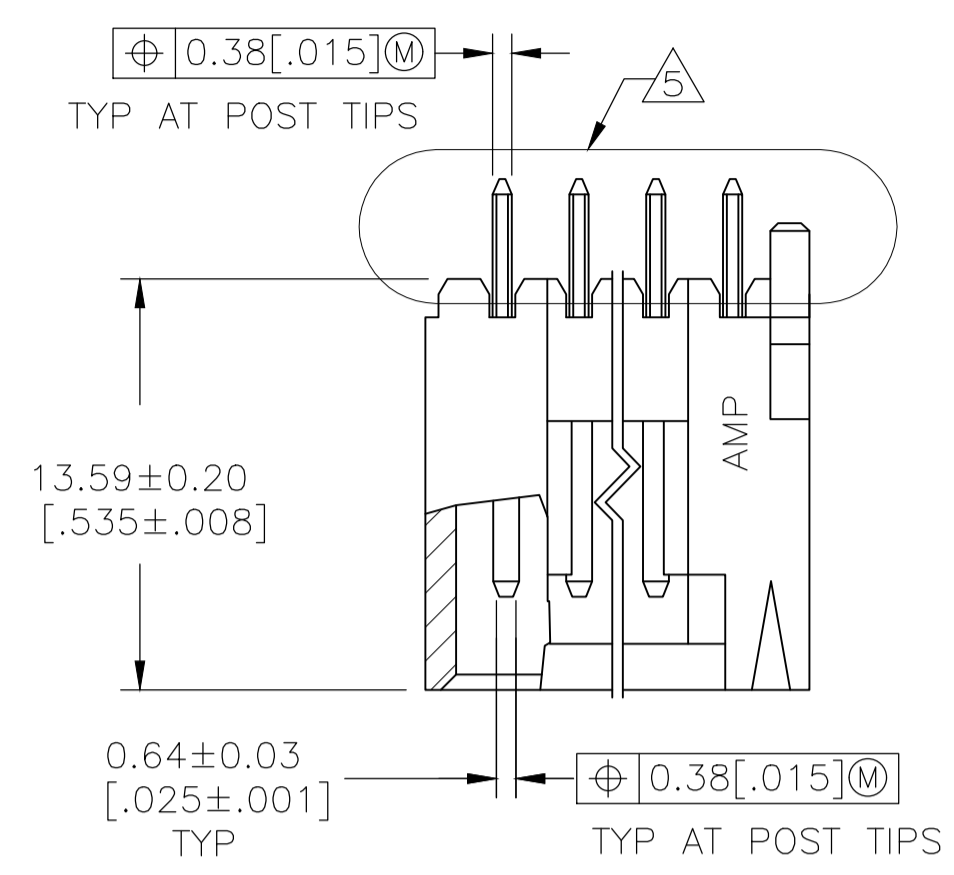
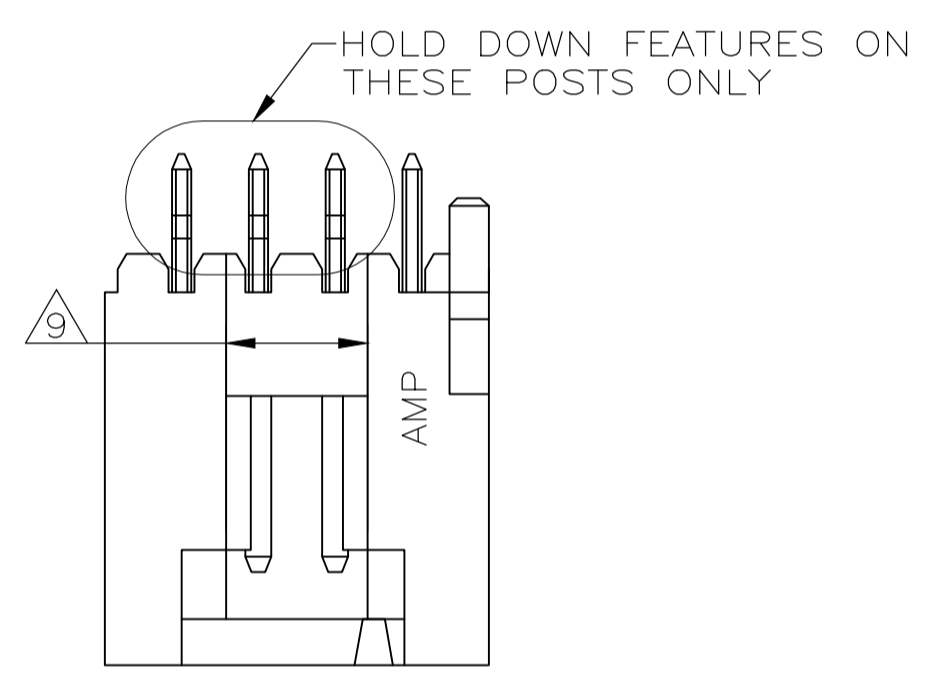
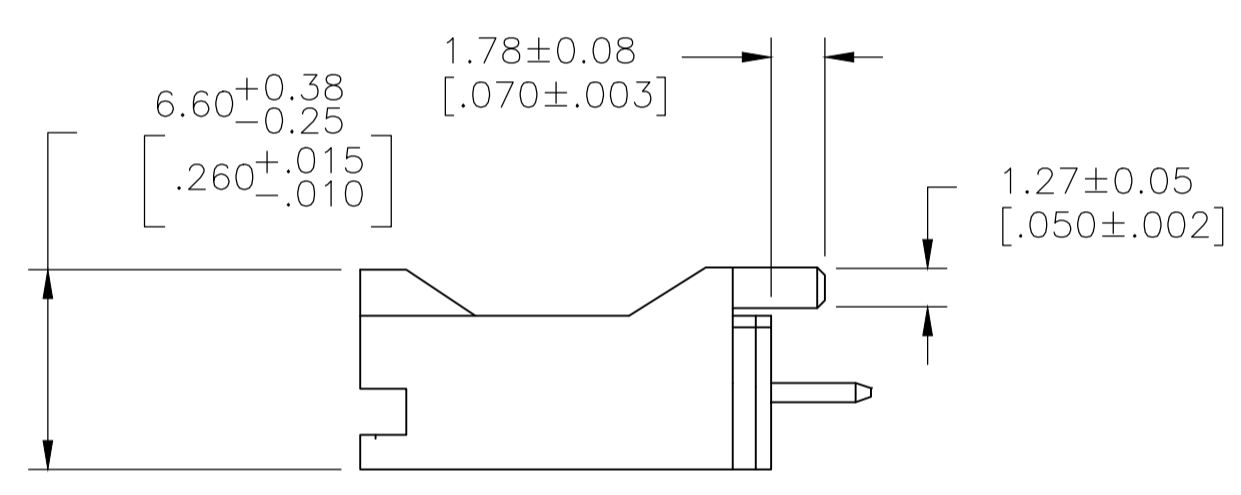
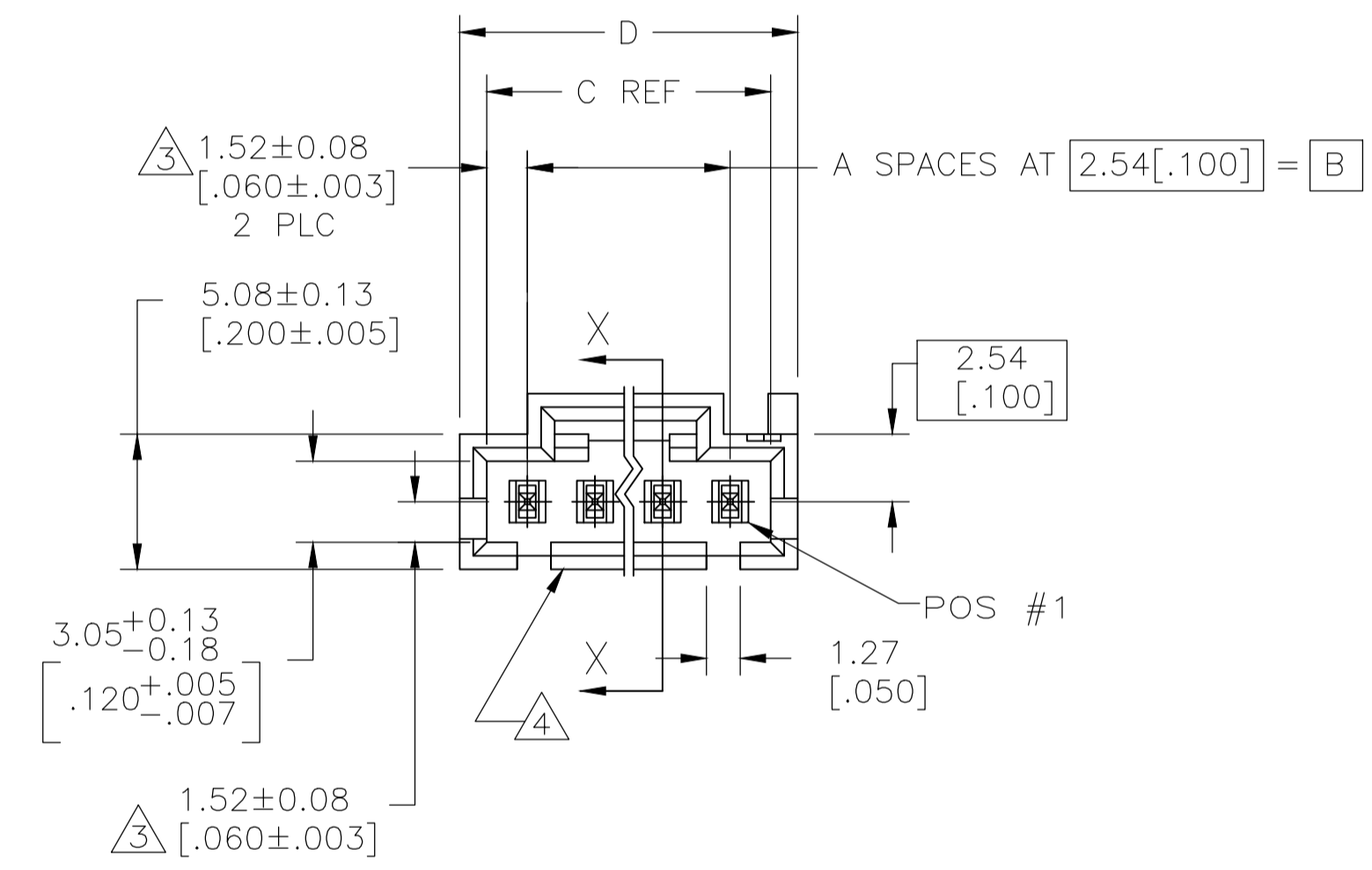


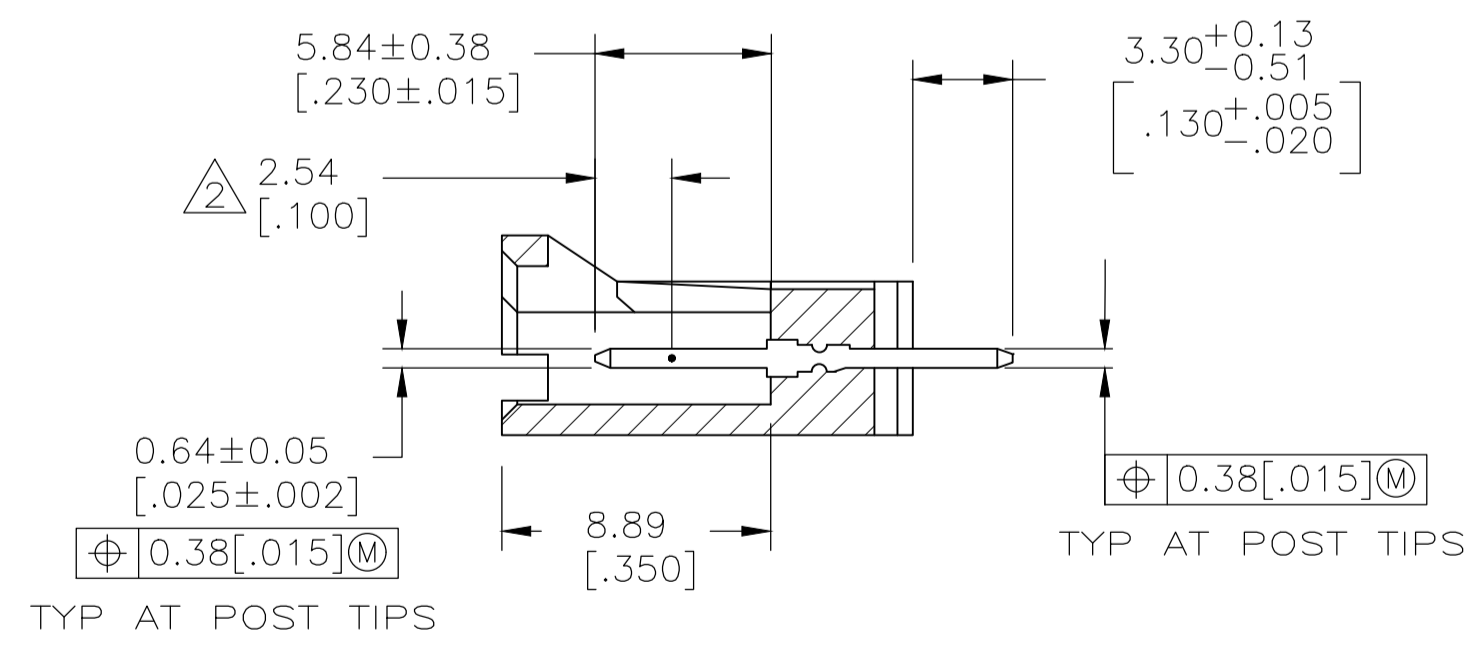
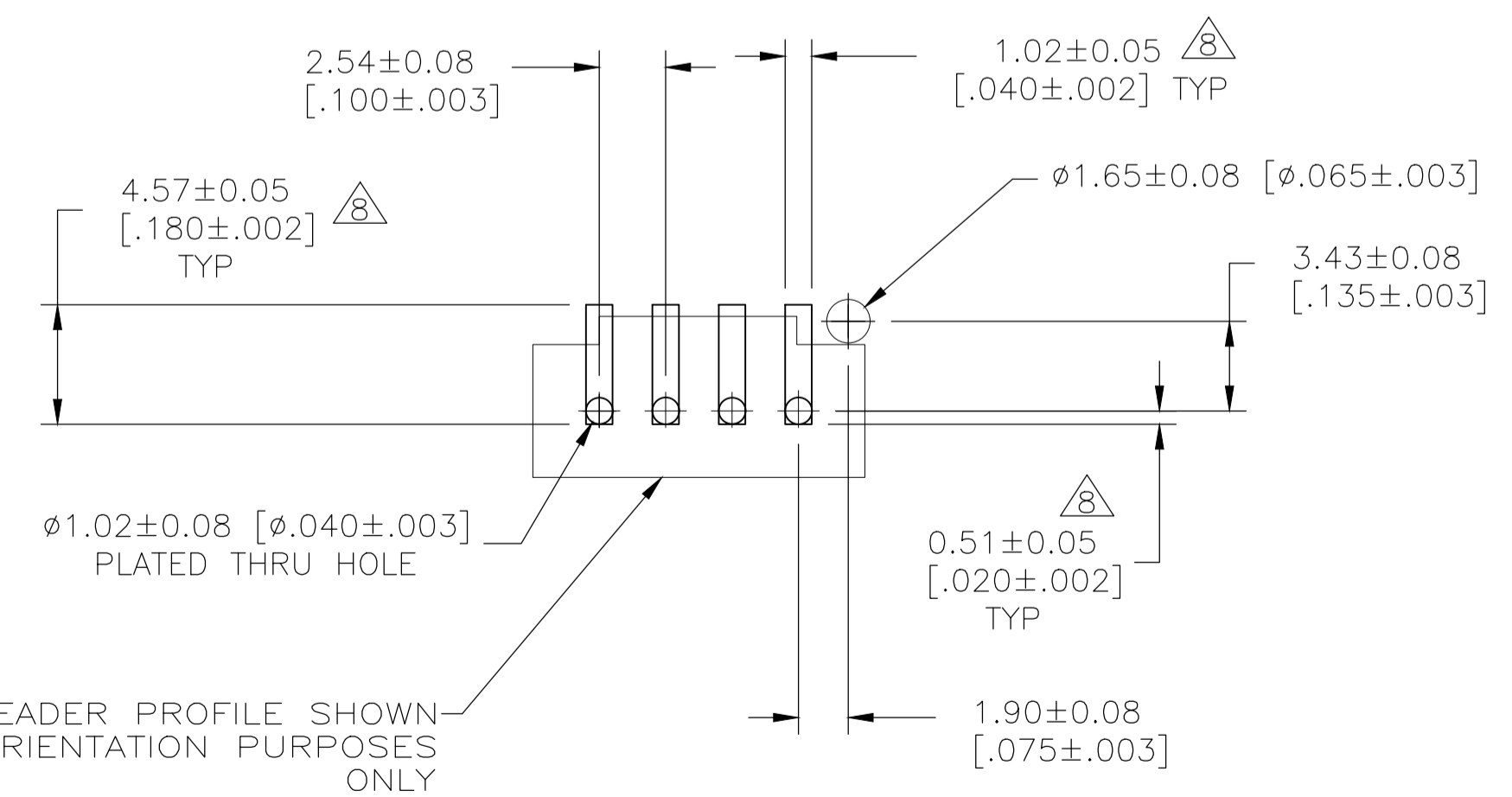
REVISIONS					
P	LTR	DESCRIPTION	DATE	DNW	APVD
A		REVISED PER ECO-20-001912	03JUN2020	SB	JO



- ① 0.00254-0.00508 [.000100-.000200] TIN OVER
0.00127 [.000050] NICKEL.
- ② POINT OF MEASUREMENT FOR PLATING THICKNESS
- ③ THESE DIMENSIONS APPLY WHERE THE POST INTERSECTS THE HOUSING
- ④ ON ASSEMBLIES WITH FOUR OR MORE POSITIONS, TWO POLARIZATION SLOTS.
- ⑤ SELECT POST TAILS FORMED TO PROVIDE CONNECTOR HOLD DOWN UNTIL SOLDERED (SEE DETAIL Z).
- ⑥ MATERIAL: HOUSING- HIGH TEMP THERMOPLASTIC, COLOR-SEE TABLE.
POSTS- BRASS.
- ⑦ PRELIMINARY PART - NOT RELEASED FOR PRODUCTION.
- ⑧ DIMENSIONS NOTED ARE FOR SOLDER STENCIL LAYOUT USE WITH 1.58±0.20[.062±.008] THICK PRINTED CIRCUIT BOARDS.
- ⑨ 0.25 [.010] RECESS PERMISSIBLE IN THIS AREA FOR MOLD SHUT OFF



HOLD DOWN CONFIGURATION FOR 4 POSITION ASSEMBLY ONLY



RECOMMENDED PC BOARD MOUNTING DIMENSIONS
RECOMMENDED STENCIL THICKNESS = 0.25[.010]



①	D	C	B	A	NO OF POSN	ASSEMBLY PART NUMBER
①	15.24 [.600]	13.21 [.520]	10.16 [.400]	4	5	1571194-4
②	12.7 [.500]	10.67 [.420]	7.62 [.300]	3	4	1571194-3
③	10.16 [.400]	8.13 [.320]	5.08 [.200]	2	3	1571194-2
④	7.62 [.300]	5.59 [.220]	2.54 [.100]	1	2	1571194-1

THIS DRAWING IS A CONTROLLED DOCUMENT.		DIN R BROWN 02JAN02		TE Connectivity	
DIMENSIONS: mm [INCHES]		TOLERANCES UNLESS OTHERWISE SPECIFIED:		APVD J GEFSEFORD 02JAN02	
0 PLC	± -	1 PLC	± -	NAME: HEADER ASSY, AMPMODU MTE, VERTICAL, WITH LATCH, SINGLE ROW, .100 CL, .025 SQ POSTS, PCB ORIENTATION, RETENTIVE POSTS, SPECIAL PLATING	
2 PLC	± -	3 PLC	± 0.38 [.005]	PRODUCT SPEC: 108-25034	
4 PLC	± -	ANGLES	± -	APPLICATION SPEC: -	
MATERIAL: SEE NOTE 6	FINISH: SEE NOTE 1	WEIGHT: -	SIZE: A1	CAGE CODE: 00779	DRAWING NO: 1571194
CUSTOMER DRAWING			SCALE: 4:1	SHEET: 1 OF 1	REV: A

单击下面可查看定价，库存，交付和生命周期等信息

[>>TE Connectivity\(泰科\)](#)