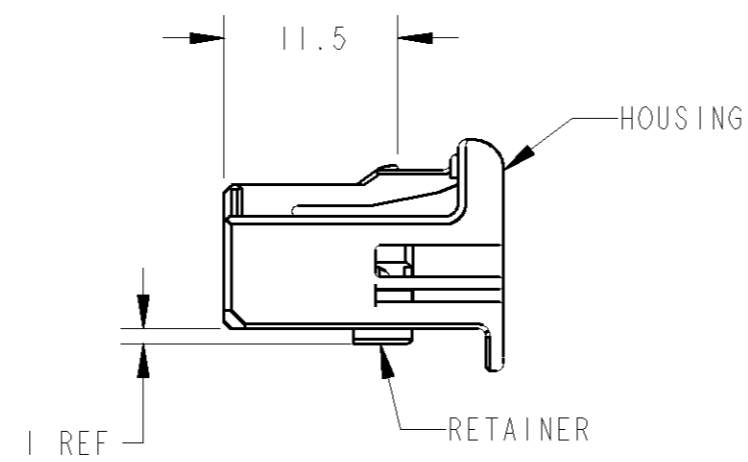
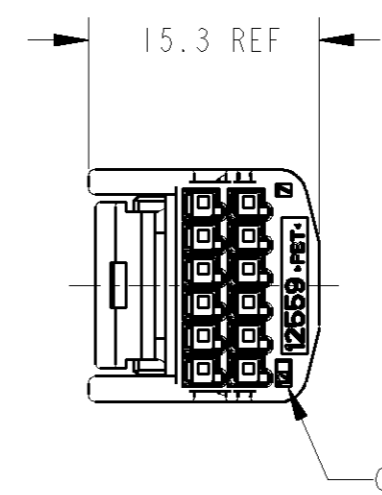
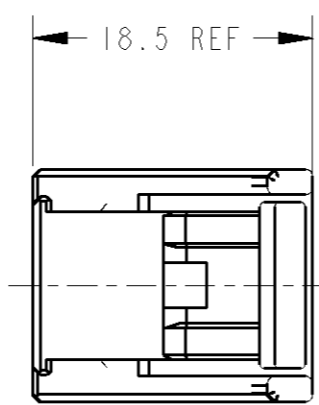
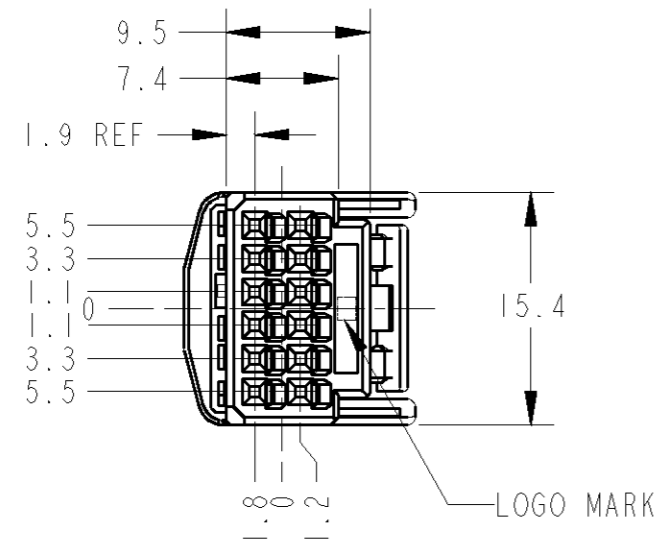


THIS DRAWING IS UNPUBLISHED. RELEASED FOR PUBLICATION
 © COPYRIGHT BY TYCO ELECTRONICS CORPORATION. ALL RIGHTS RESERVED.

LOC	DIST	REVISIONS						
		P	LTR	DESCRIPTION	ECN	DATE	DWN	APVD
J			0	RELEASED	FJA0-0387-04	13AUG04	YM	HY
			01	REVISED	ECR-05-013653	20OCT05	AY	HY
			02	REVISED	ECR-06-018044	28JUL06	KF	HY
			A	REVISED	ECR-10-007503	21APR10	TS	KB



1. RETAINER SHOULD BE PRE-ASSEMBLED CONDITION TO HOUSING.
2. INSTRUCTION SHEET NO.411-78080.
3. PART NUMBER OF CAP HOUSING TO BE MATED : SEE TABLE-1
4. APPLIED TERMINALS : SEE TABLE-2

1. プラグハウジングにリテーナを仮止して出荷される
2. 取扱説明書NO.411-78080
3. 嵌合相手型番 : TABLE-1参照
4. 適用端子 : TABLE-2参照

TABLE-1

POS 極数	CAP ASSEMBLY PART NO. キャップ番号
12	1318772

TABLE-2

		TERMINAL NO. 端子型番	APPLICABLE WIRE RANGE 適用電線
SIGNAL 0.64111	TIN	1674311-1	AVSS/CAVS/CAVUS/AVSSH-f 0.3~0.5mm ²
	SELECTIVE GOLD	1674311-2	

PACKING STYLE 梱包形態	COLOR	PART NUMBER
PAPER BOX ダンボール	GRAY	1746872-2①
PLASTIC BAG ビニール袋	BLACK	1746872-1
OUTER 外装	INNER 内装	

THIS DRAWING IS A CONTROLLED DOCUMENT FOR TYCO ELECTRONICS CORPORATION
 IT IS SUBJECT TO CHANGE AND THE CONTROLLING ENGINEERING ORGANIZATION
 SHOULD BE CONTACTED FOR THE LATEST REVISION.

DWN Y. MITO	13AUG04	 Tyco Electronics Corporation Kawasaki, Japan	NAME 名称 0.64111 CONNECTOR 2ROW 12POSITION PLUG ASSEMBLY SHORT BODY			
CHK H. YAMAGAMI	13AUG04					
APVD S. ISOHATA	13AUG04					
PRODUCT SPEC 製品規格 108-5931		SIZE A3	CAGE CODE 00779	DRAWING NO 番号 C=1746872	RESTRICTED TO	
APPLICATION SPEC 取付適用規格 114-5329		WEIGHT 1.92g	SCALE 尺度 2:1	SHEET 1	OF 1	REV A
MATERIAL 材料 PBT	FINISH 仕上 SEE TABLE	CUSTOMER DRAWING				

单击下面可查看定价，库存，交付和生命周期等信息

[>>TE Connectivity\(泰科\)](#)