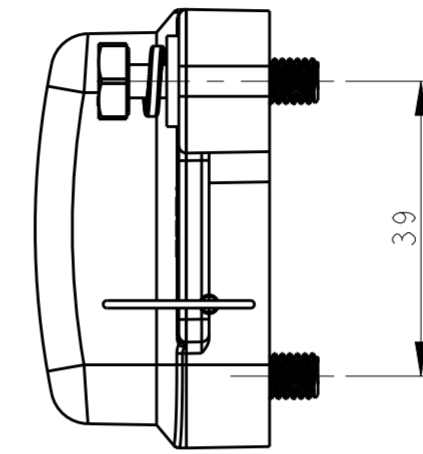
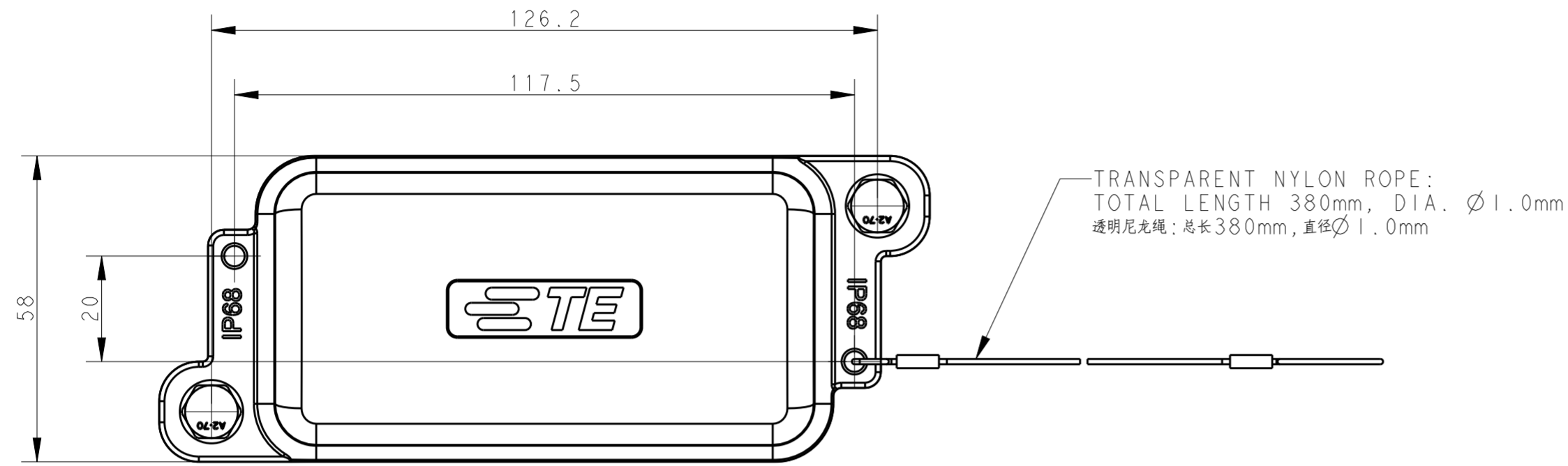
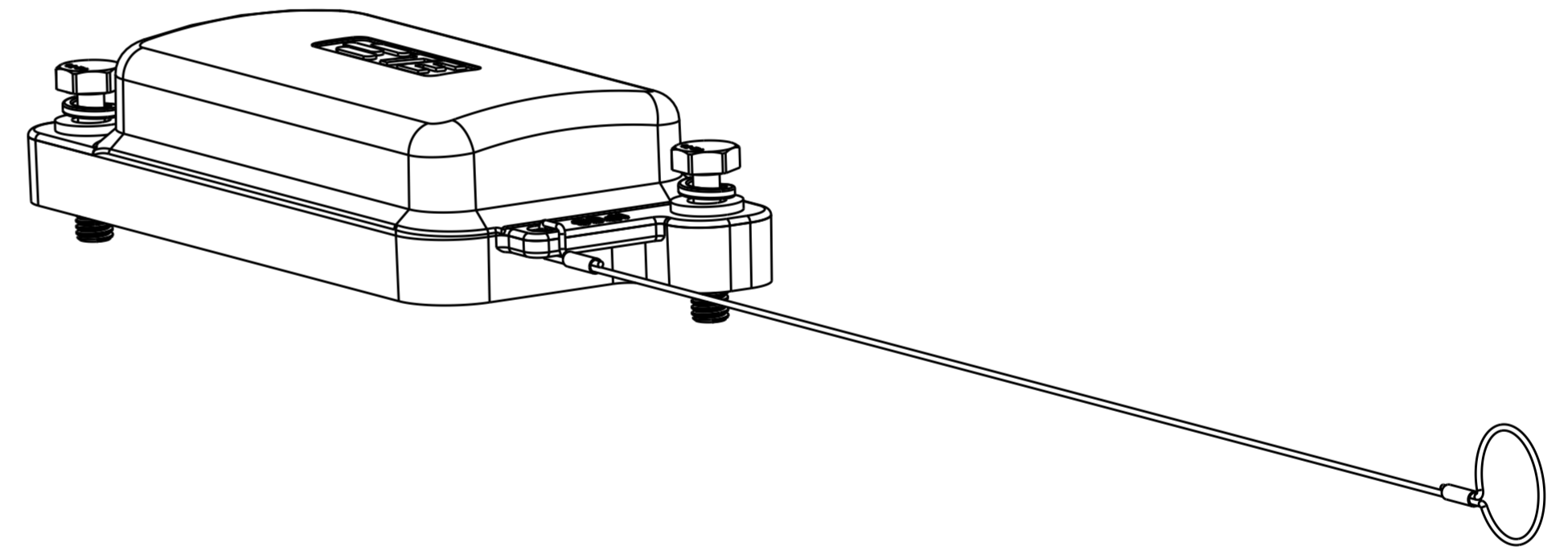
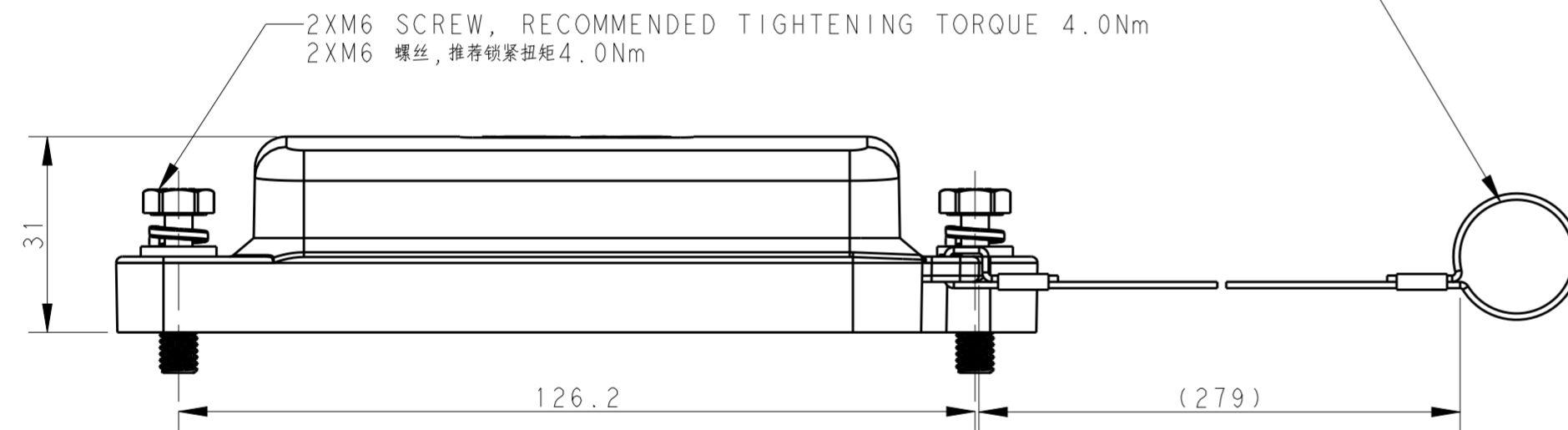


THIS DRAWING IS UNPUBLISHED. RELEASED FOR PUBLICATION 20
 © COPYRIGHT 20 BY - ALL RIGHTS RESERVED.

REVISIONS				
P	LTR	DESCRIPTION	DATE	APVD
A		INITIAL RELEASE	22OCT2016	DW CW
A1		ECR-17-008404	10JUN2017	CH CW



LOOP SIZE DEFAULT VALUE DIA. ϕ 18,
UNLESS HAVE SPECIAL REQUIREMENT.
套圈大小默认值直径是 ϕ 18, 除非有特别要求.



NOTES:
1. TECHNICAL CHARACTERISTICS:
COVER MATERIAL: DIE CAST ALUMINIUM ALLOY
SURFACE TREATMENT: SEE TABLE

注释
1. 技术参数:
壳体材料: 铝合金
表面处理: 见表格

T1990100000-009	H10BPR-KDBM-EMC-C	H10BPR HOUSING METAL PROTECTION COVER, DIAGONAL LOCKING, NYLON ROPE, PASSIVATION+POWDER COATED, BLACK / H10BPR对角锁定金属保护盖, 尼龙绳, 钝化+黑色粉末喷涂
PART NUMBER 料号	PART DESCRIPTION 描述	

THIS DRAWING IS A CONTROLLED DOCUMENT.		DWN 22OCT2016 DAVID.WANG	TE Connectivity	
DIMENSIONS: mm		CHK 22OCT2016 CHRIS.WANG		
TOLERANCES UNLESS OTHERWISE SPECIFIED:		APVD 22OCT2016 XIANG.XU	PRODUCT SPEC	SIZE
0 PLC \pm		APPLICATION SPEC	-	CAGE CODE
1 PLC \pm		WEIGHT	-	DRAWING NO
2 PLC \pm		CUSTOMER DRAWING	-	RESTRICTED TO
3 PLC \pm		SCALE 1:1	-	SHEET 1 OF 1
4 PLC \pm		REV A1	-	
ANGLES \pm				
FINISH				

单击下面可查看定价，库存，交付和生命周期等信息

[>>TE Connectivity\(泰科\)](#)