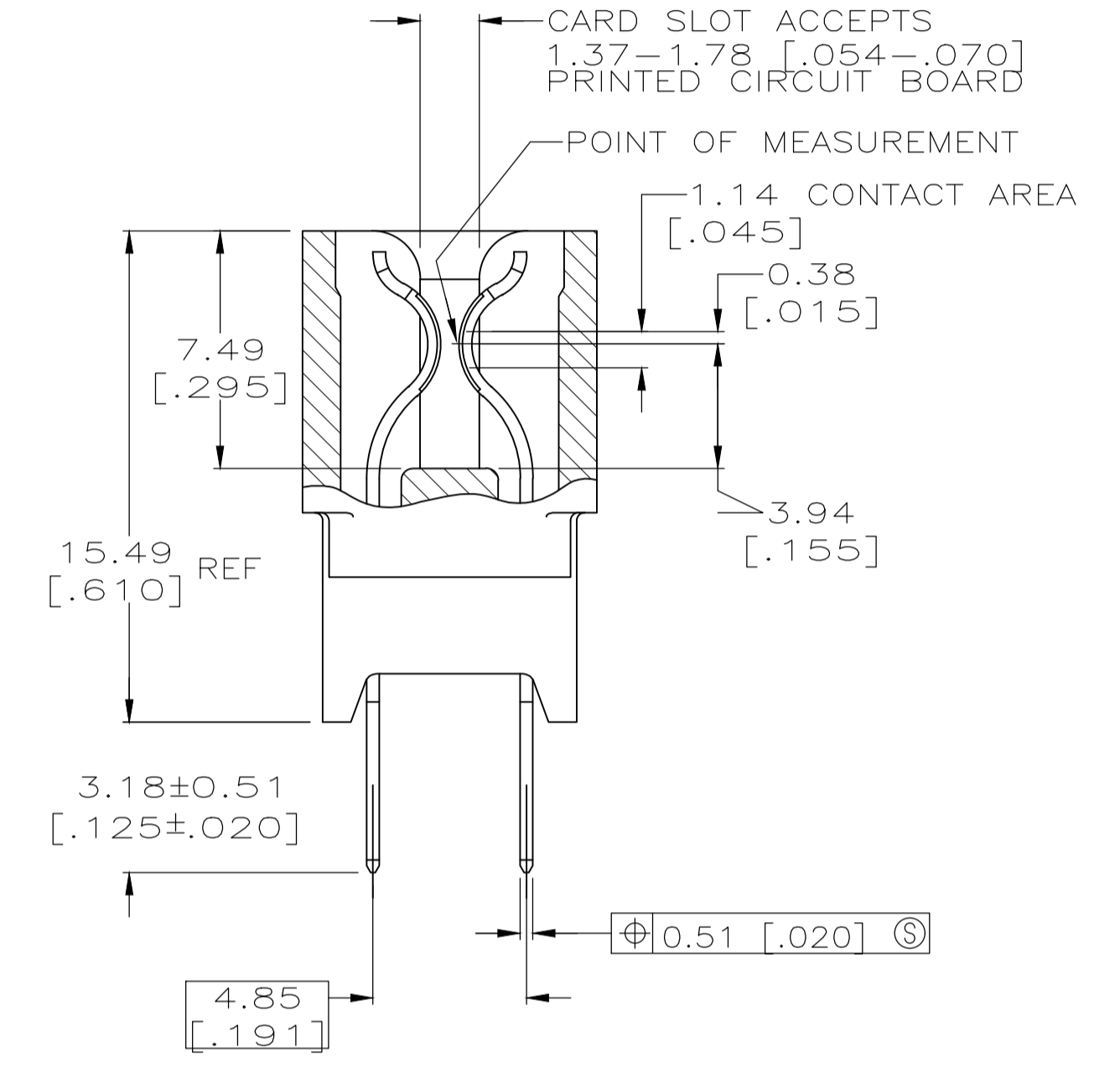
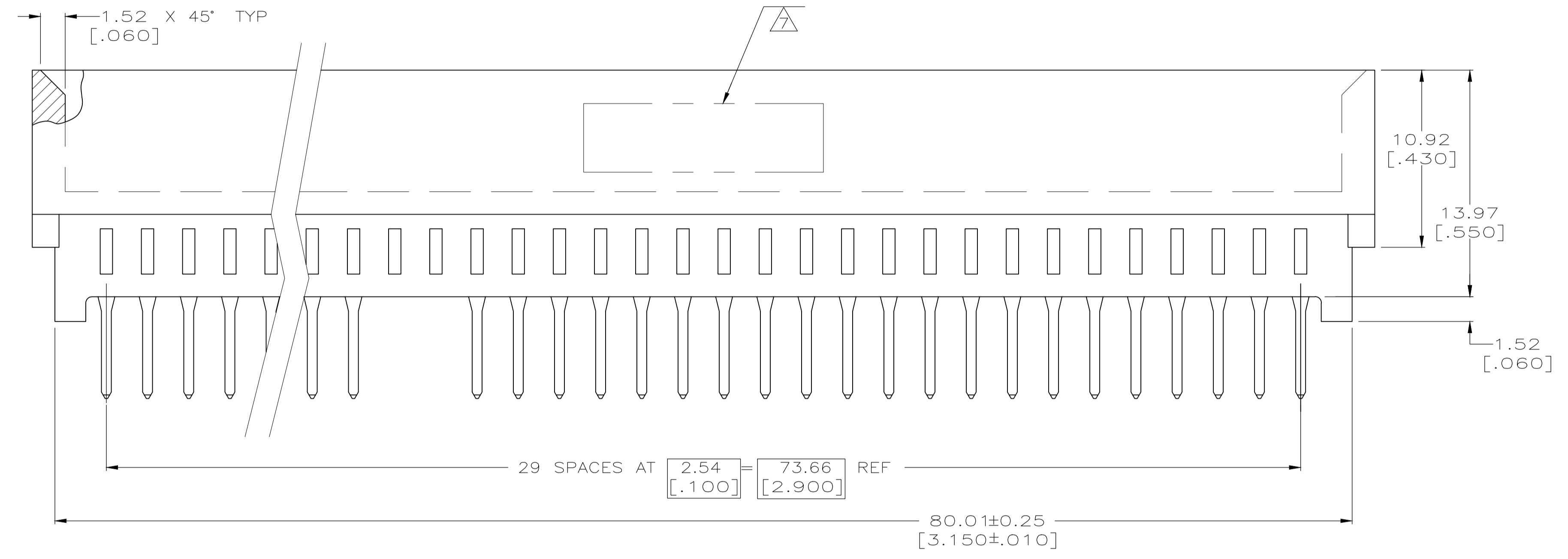
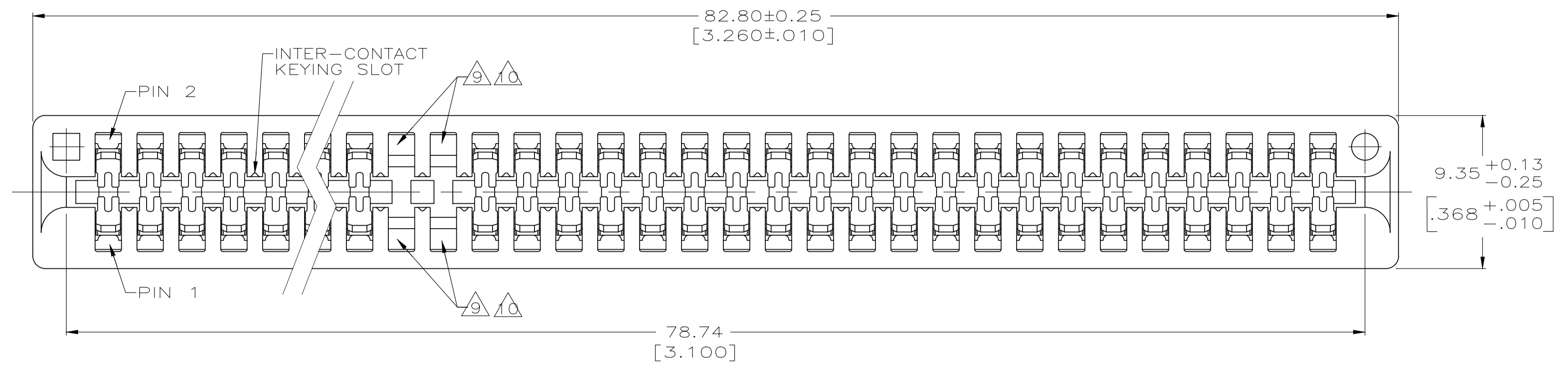


REVISIONS					
P	LTR	DESCRIPTION	DATE	DMN	APVD
A1	ECO-18-014843		19SEP2018	SZ	SZ



- 1 HOUSING: GLASS FILLED POLYESTER; COLOR: BLACK.
- 2 CONTACT: PHOSPHOR BRONZE.
- 3 NICKEL PLATE: 0.00127 [0.000050] MIN - ALL OVER.
- 4 MATTE TIN PLATE: 0.00254 [0.000100] MIN - SOLDER POSTS.
- 5 GOLD PLATE: 0.00076 [0.000030] MIN - CONTACT AREA.
- 6 NICKEL PLATE PER MIL-G-45204. GOLD PLATE PER QQ-N-290.
- 7 AMP PART NUMBER, DATE CODE AND CSA LOGO MAY BE MARKED IN APPROXIMATE AREA SHOWN, EITHER SIDE.
- 8. RECOMMENDED PCB FINISHED HOLE DIA:  $1.02 \pm 0.08$  [0.040 ± 0.003].
- 9 CONTACTS OMITTED FROM POSITION 15,16,17 AND 18.
- 10 CONTACTS OMITTED FROM POSITION 13,14,15 AND 16.

30	6489170-2
30	6489170-1
NO OF POSN	PART NUMBER

THIS DRAWING IS A CONTROLLED DOCUMENT.		DMN AL FRANTUM 17 AUG 05	TE Connectivity CONNECTOR ASSEMBLY, STANDARD EDGE II, 2.54 [0.100] CL, SEL LOAD	
DIMENSIONS: mm [INCHES]		CHK AL FRANTUM 17 AUG 05		
TOLERANCES UNLESS OTHERWISE SPECIFIED:		APVD -	NAME	
0 PLC ± -	1 PLC ± -	PRODUCT SPEC		RESTRICTED TO
2 PLC ± 0.13 [0.005]	3 PLC ± -	108-9039		SIZE
4 PLC ± -	ANGLES ± °	APPLICATION SPEC		CODE
MATERIAL		FINISH	WEIGHT	DRAWING NO
1, 2, 3, 4, 5, 6			0.000000	A1 00779
				6489170
				CUSTOMER DRAWING
				SCALE 5:1 SHEET 1 OF 1 REV A1

单击下面可查看定价，库存，交付和生命周期等信息

[>>TE Connectivity\(泰科\)](#)