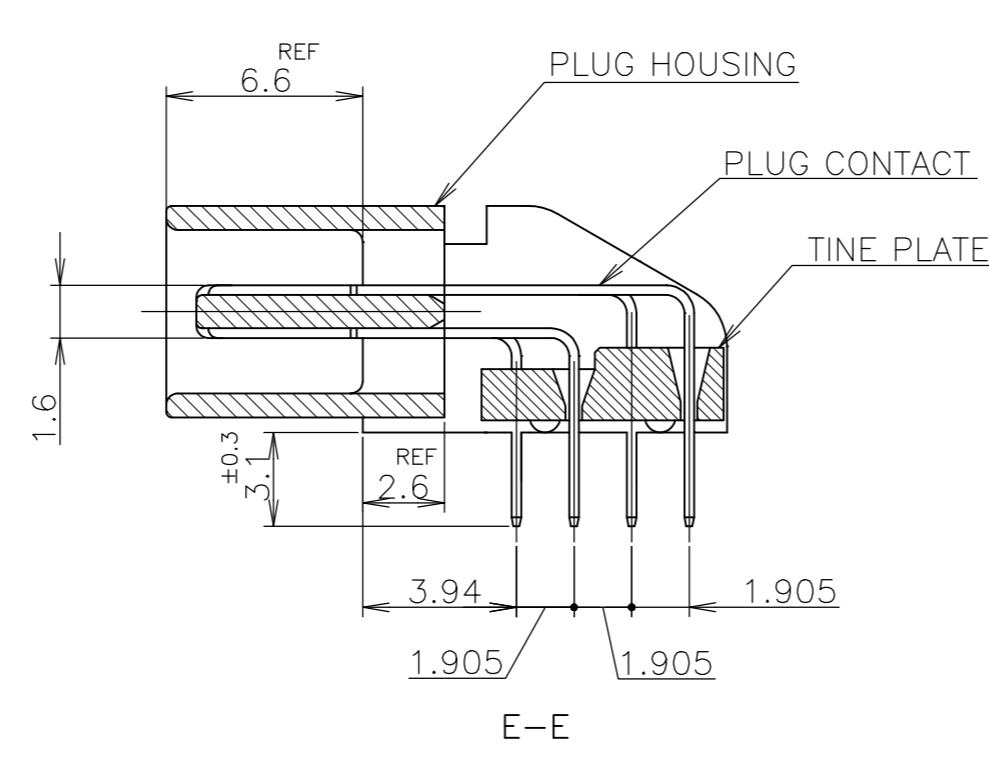
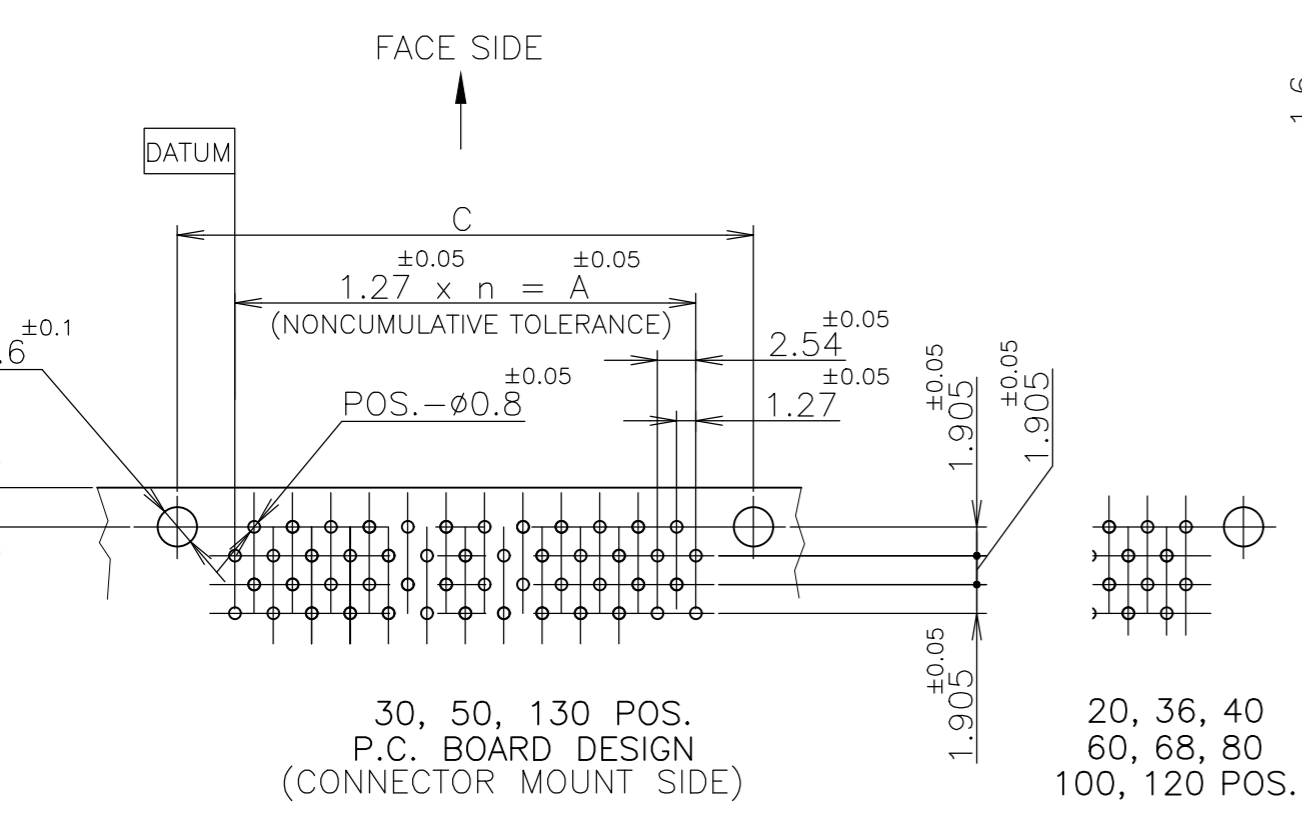
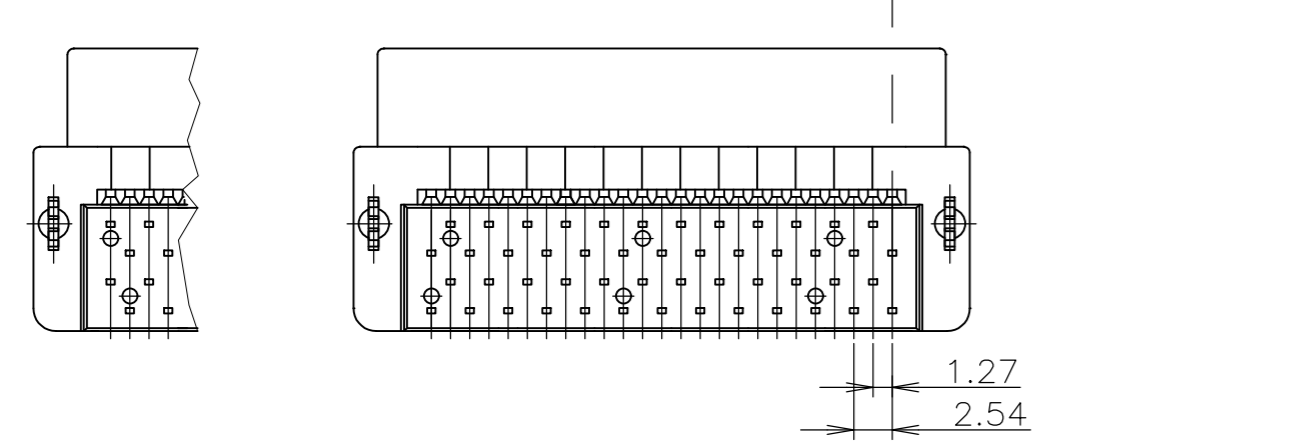
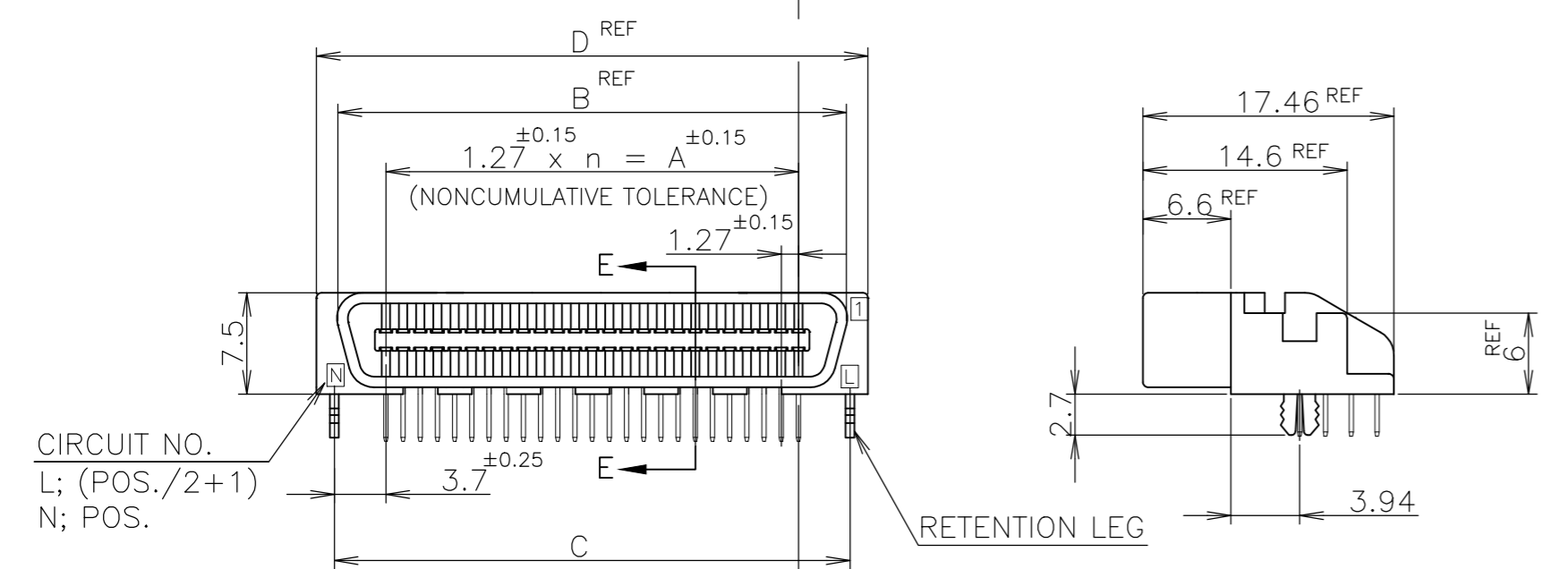
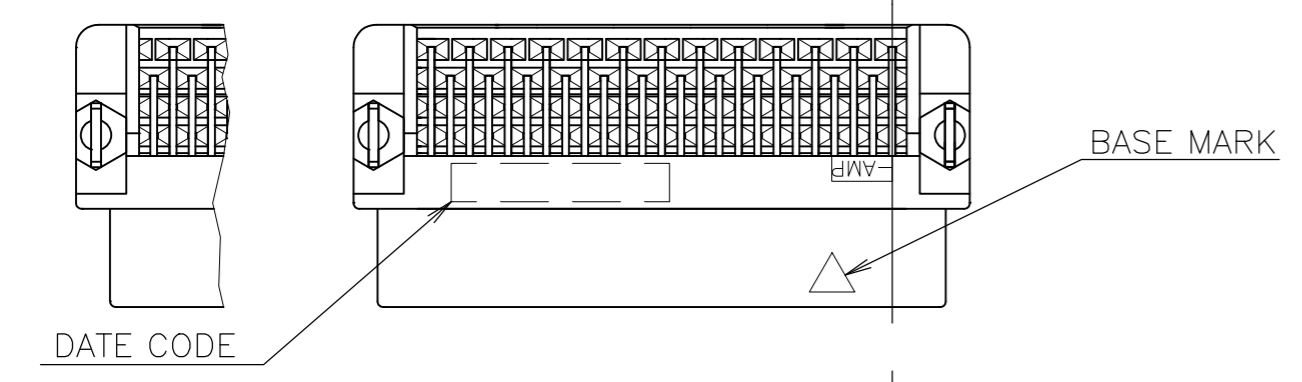


REVISIONS					
P	LTR	DESCRIPTION	DATE	DWN	APVD
C		REVISED PER ECO-17-008763	22JAN2018	RG	SH

20, 40, 60, 68, 80
100, 120 POS.

30, 50, 130 POS.



- 1 NUMBER "n" IS COUNTED FROM **DATUM**
(CIRCUIT NO.1 IS "AMP" MARK SIDE.)
- △ MATERIA: HOUSING, 66 NYLON (GF) UL 94V-0, BLACK.
: CONTACT, PHOSPHOR BRONZE.
: RETENTION LEG; BRASS.
- △ FINISH: CONTACT; Au AT CONTACT AREA (SEE TABLE), TIN AT TINE, OVER Ni.
RETENTION LEG; TIN UNDER Ni.

OBSOLETE	6-	2			130	64	81.28	89.62	88.68	92.48
OBSOLETE	6-	1			120	59	74.93	83.27	82.33	86.13
	6-	-0			100	49	62.23	70.57	69.63	73.43
	5-	-9			80	39	49.53	57.87	56.93	60.73
	5-	-8			68	33	41.91	50.25	49.31	53.11
	5-	-7			60	29	36.83	45.17	44.23	48.03
	5-	-6			50	24	30.48	38.82	37.88	41.68
	5-	-5			40	19	24.13	32.47	31.53	35.33
	5-	-4			36	17	21.59	29.93	28.99	32.79
OBSOLETE	5-	-3			30	14	17.78	26.12	25.18	28.98
OBSOLETE	5-	-1		0.00076	20	9	11.43	19.77	18.83	22.63
OBSOLETE	4-	2			130	64	81.28	89.62	88.68	92.48
	4-	-1			120	59	74.93	83.27	82.33	86.13
	4-	-0			100	49	62.23	70.57	69.63	73.43
	3-	-9			80	39	49.53	57.87	56.93	60.73
	3-	-8			68	33	41.91	50.25	49.31	53.11
	3-	-7			60	29	36.83	45.17	44.23	48.03
	3-	-6			50	24	30.48	38.82	37.88	41.68
	3-	-5			40	19	24.13	32.47	31.53	35.33
OBSOLETE	3-	-4			36	17	21.59	29.93	28.99	32.79
	3-	-3			30	14	17.78	26.12	25.18	28.98
	3-	-1		0.0005	20	9	11.43	19.77	18.83	22.63
OBSOLETE	1-	2			130	64	81.28	89.62	88.68	92.48
	1-	-1			120	59	74.93	83.27	82.33	86.13
	1-	-0			100	49	62.23	70.57	69.63	73.43
OBSOLETE		-9			80	39	49.53	57.87	56.93	60.73
		-8			68	33	41.91	50.25	49.31	53.11
		-7			60	29	36.83	45.17	44.23	48.03
OBSOLETE		-6			50	24	30.48	38.82	37.88	41.68
OBSOLETE		-5			40	19	24.13	32.47	31.53	35.33
		-4			36	17	21.59	29.93	28.99	32.79
		-3			30	14	17.78	26.12	25.18	28.98
					20	9	11.43	19.77	18.83	22.63
	5175472-1		0.0002		20	9	11.43	19.77	18.83	22.63
PART NO.	Au PLATE	POS.	n	A	B	C	D			

LEAD FREE

GENERAL TOLERANCE	
10 ≥	± 0.2
30 ≥ > 10:	± 0.25
100 ≥ > 30:	± 0.3
ANGLES:	± 3'

THIS DRAWING IS A CONTROLLED DOCUMENT.			DWN	18AUG2004	STE TE Connectivity Ltd.					
			CHK	18AUG2004						
			APVD	18AUG2004						
			NAME							
			PRODUCT SPEC	108-60038						
			APPLICATION SPEC							
DIMENSIONS: mm		TOLERANCES UNLESS OTHERWISE SPECIFIED:		SIZE		CAGE CODE		DRAWING NO		RESTRICTED TO
0 PLC ±		1 PLC ± -		A2		00779		C=5175472		
2 PLC ± -		3 PLC ± -		WEIGHT				SCALE		SHEET
4 PLC ± -		ANGLES ± -		0.000000				NTS		1 of 1
FINISH		FINISH		CUSTOMER DRAWING				SHEET		REV
										C

单击下面可查看定价，库存，交付和生命周期等信息

[>>TE Connectivity\(泰科\)](#)