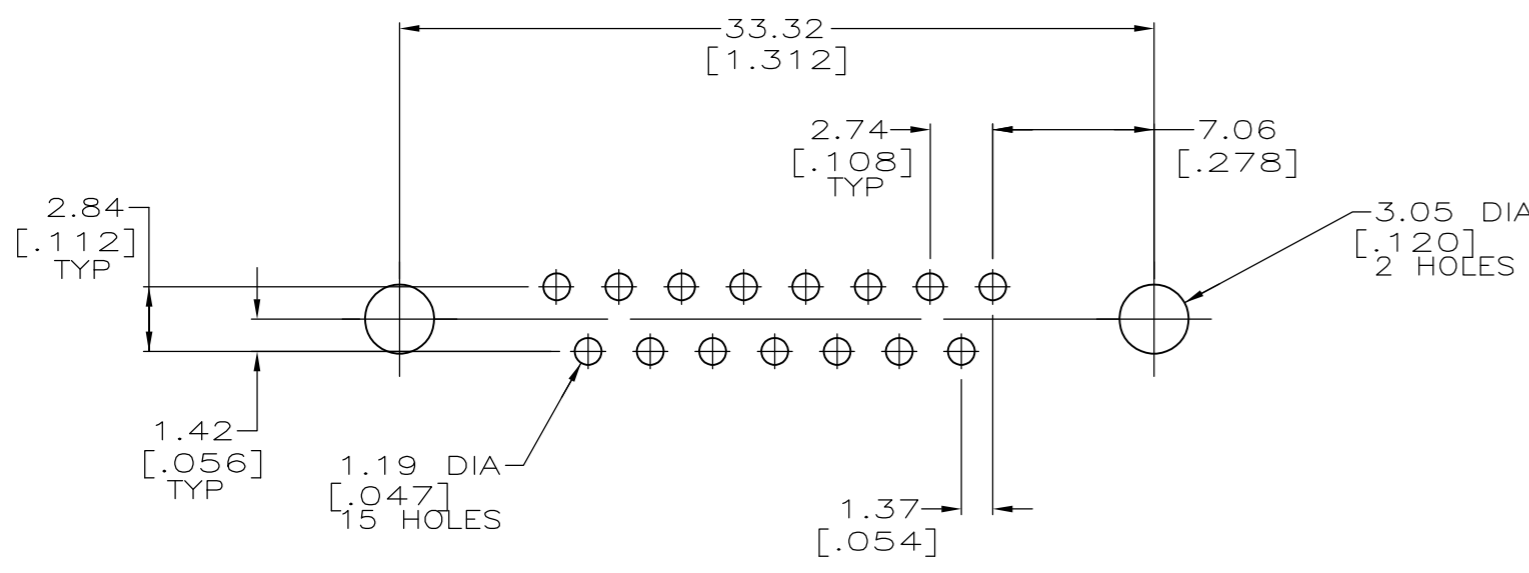
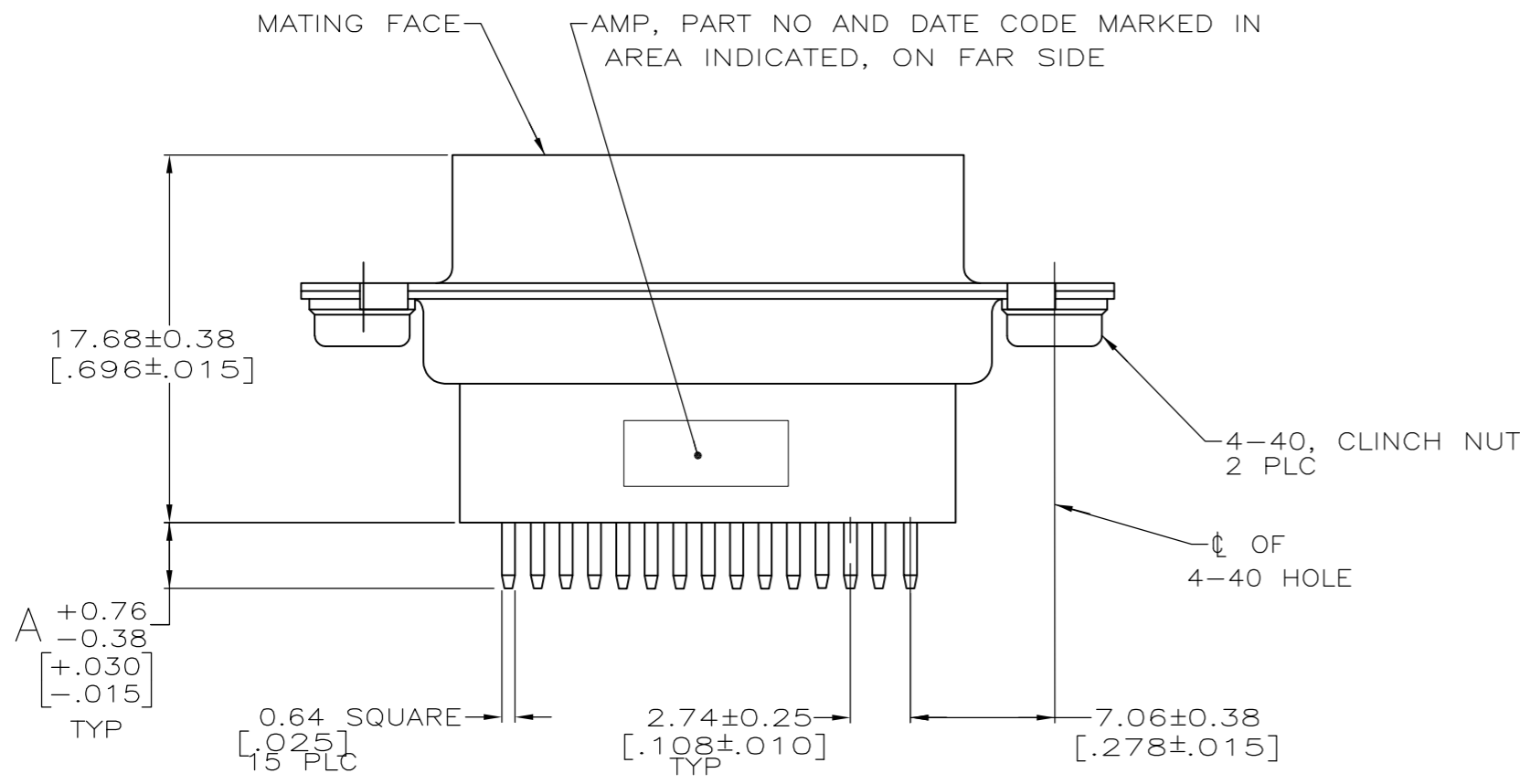
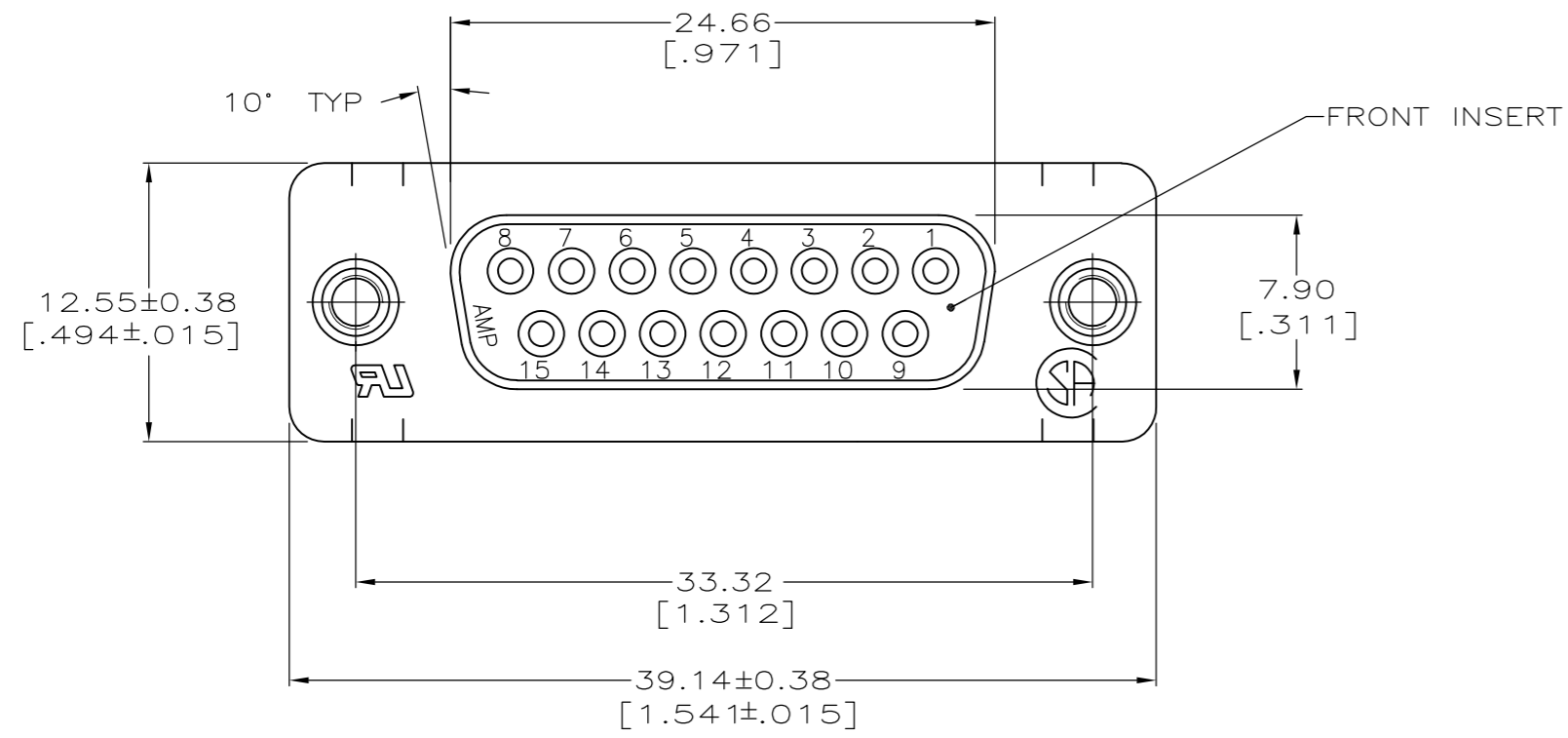


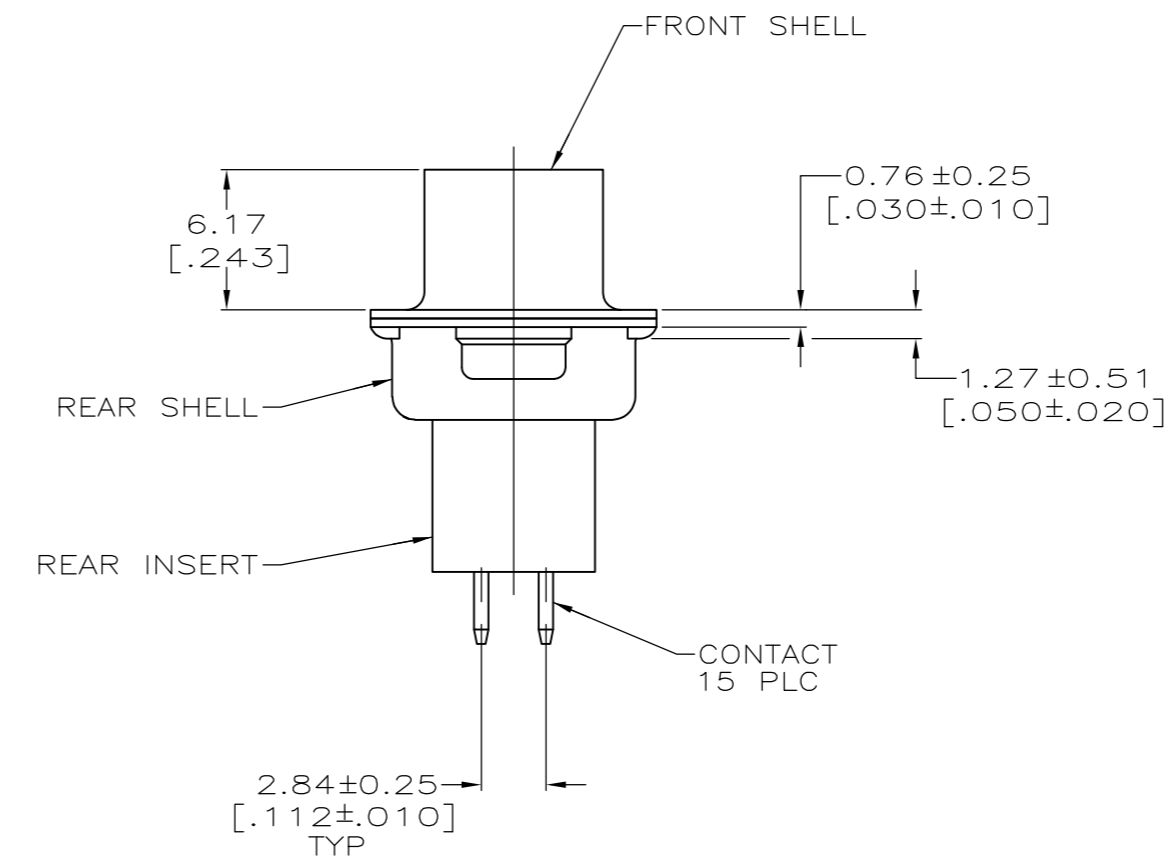
THIS DRAWING IS UNPUBLISHED. RELEASED FOR PUBLICATION
 © COPYRIGHT - By - ALL RIGHTS RESERVED.

LOC		DIST		REVISIONS			
P	LTR	DESCRIPTION		DATE	DWN	APVD	
GP	00	L	REVISED PER ECO-14-011808	12AUG2014	AP	SB	



RECOMMENDED PC BOARD MOUNTING DIMENSIONS

- ① HOUSING: GLASS-FILLED PBT OR GLASS-FILLED NYLON, UL94V-0 RATED. COLOR: BLACK.
CONTACTS: PHOSPHOR BRONZE
SHELLS: CARBON STEEL
CLINCH NUT: CARBON STEEL
- ② GOLD FLASH FOR LENGTH OF 2.54 [.100] MIN FROM MATING END, 2.54µm [.000100] MIN TIN OR TIN-LEAD FOR A LENGTH OF DIMENSION A FROM OPPOSITE END, BOTH OVER 1.27µm [.000050] MIN NICKEL.
- ③ 0.76µm [.000030] MIN GOLD FOR LENGTH OF 2.54 [.100] MIN FROM MATING END, 2.54µm [.000100] MIN TIN OR TIN-LEAD FOR A LENGTH OF DIMENSION A FROM OPPOSITE END, BOTH OVER 1.27µm [.000050] MIN NICKEL.
-OR-
GOLD FLASH OVER PALLADIUM-NICKEL, 0.76µm [.000030] MIN TOTAL, FOR A LENGTH OF 2.54 [.100] MIN FROM MATING END, 2.54µm [.000100] MIN TIN OR TIN-LEAD FOR A LENGTH OF DIMENSION A FROM OPPOSITE END, BOTH OVER 1.27µm [.000050] MIN NICKEL.
- ④ SHELLS: 5.08µm [.000200] MIN TIN OVER 2.54µm [.000100] MIN COPPER
CLINCH NUT: ZINC



SUPSD BY 745820-1	4.78 [.188]	②		745820-8
OBSOLETE	4.78 [.188]	③		745820-7
OBSOLETE	16.54 [.651]	②		745820-6
OBSOLETE	16.54 [.651]	③		745820-5
SUPSD BY 745820-1	10.85 [.427]	②		745820-4
SUPSD BY 745820-1	10.85 [.427]	③		745820-3
	3.18 [.125]	②		745820-2
	3.18 [.125]	③		745820-1
	DIMENSION A			
			CONTACT FINISH	PART NUMBER

THIS DRAWING IS A CONTROLLED DOCUMENT.		DWN J.McCLINTON 12-05-89	TE TE Connectivity	
		CHK R.STONE 02-01-90		
DIMENSIONS: mm [INCHES]		APVD C. ROHDE 2-02-90	NAME RECEPTACLE ASSEMBLY, SIZE 2, 15 POSN, VERTICAL, FRONT METAL SHELL, AMPLIMITE® HD-20	
TOLERANCES UNLESS OTHERWISE SPECIFIED:		PRODUCT SPEC 108-40025	SIZE A2 CAGE CODE 00779 C=745820	
0 PLC ± -		APPLICATION SPEC 114-40013	DRAWING NO	
1 PLC ± -		WEIGHT -	RESTRICTED TO	
2 PLC ± 0.13 [.005]		CUSTOMER DRAWING	SCALE NTS SHEET 1 OF 1 REV L	
3 PLC ± -				
4 PLC ± -				
ANGLES ± 2°				
FINISH				
CONTACTS: SEE TABLE				

单击下面可查看定价，库存，交付和生命周期等信息

[>>TE Connectivity\(泰科\)](#)