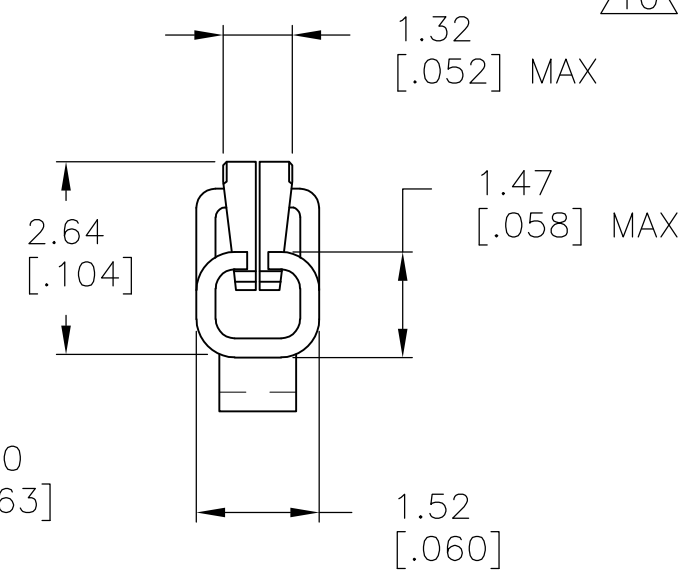
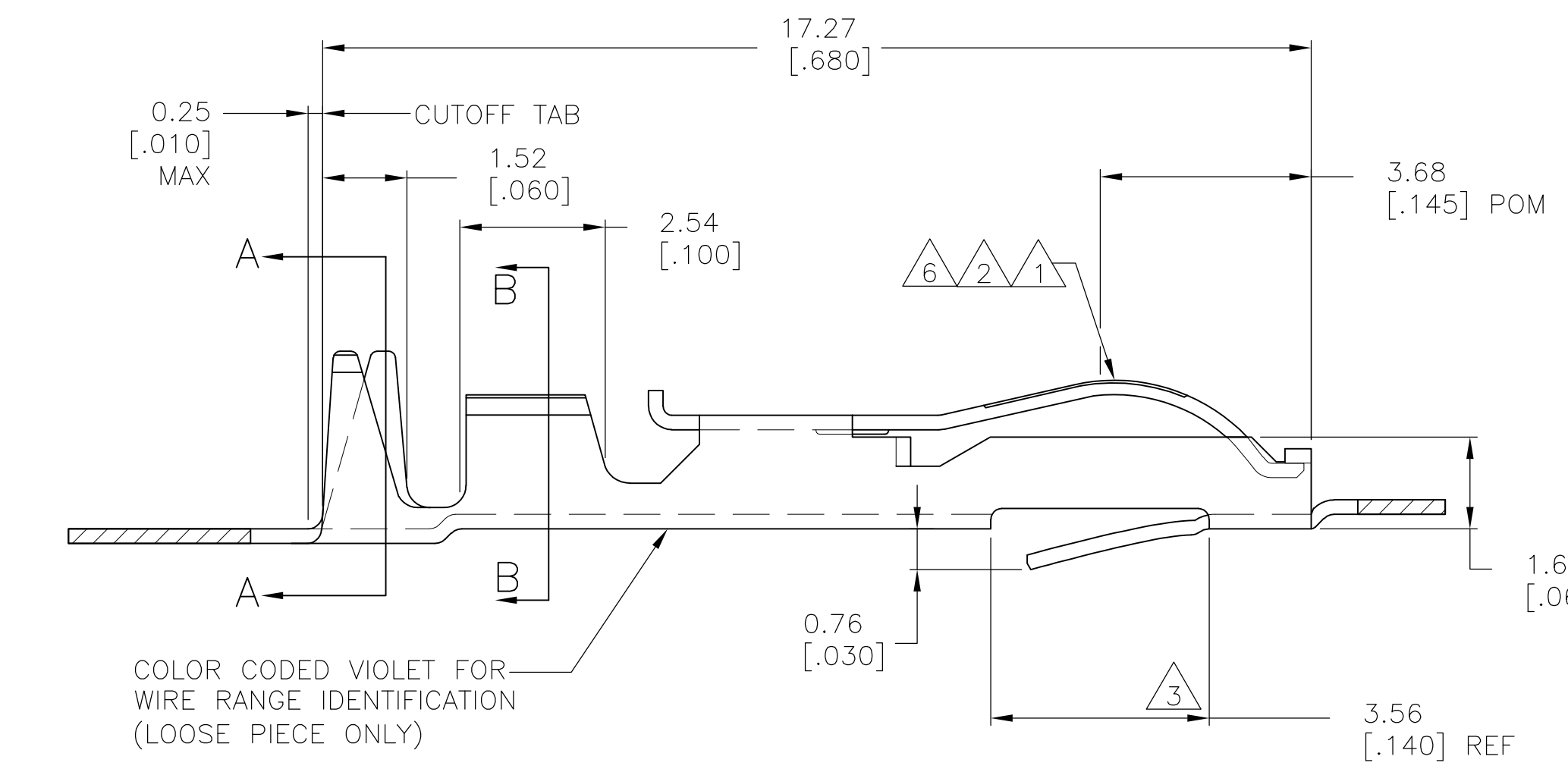
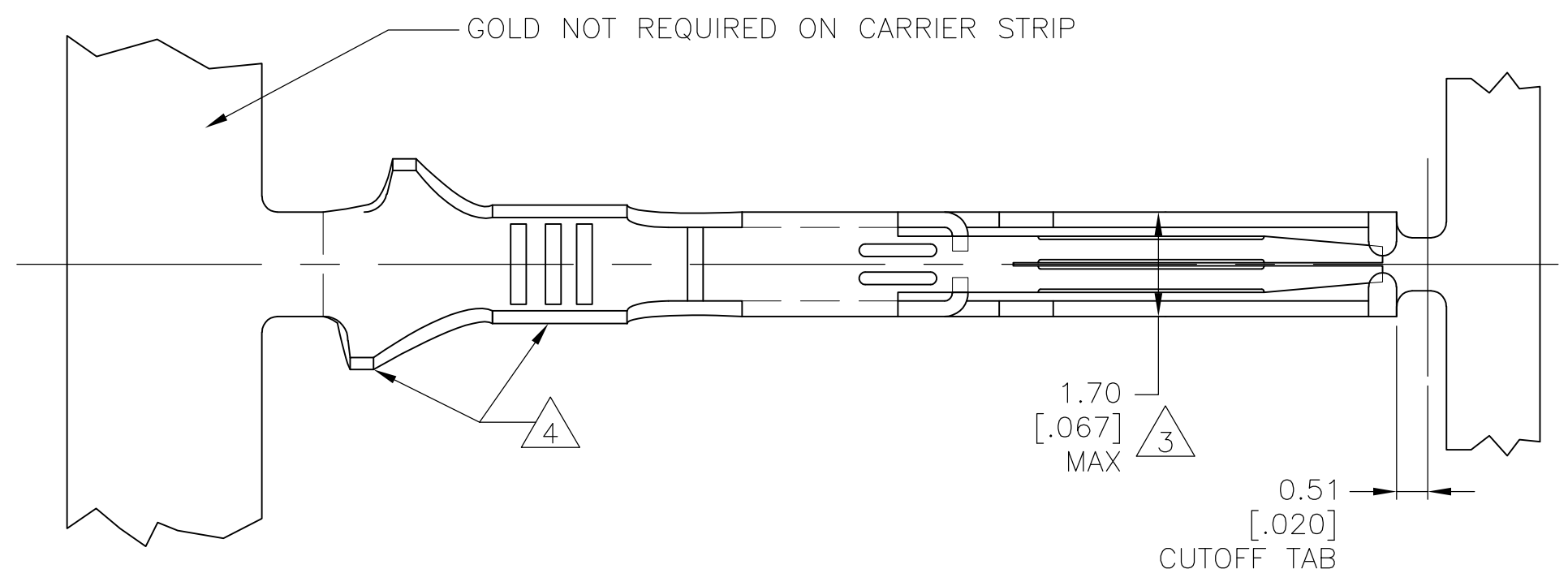


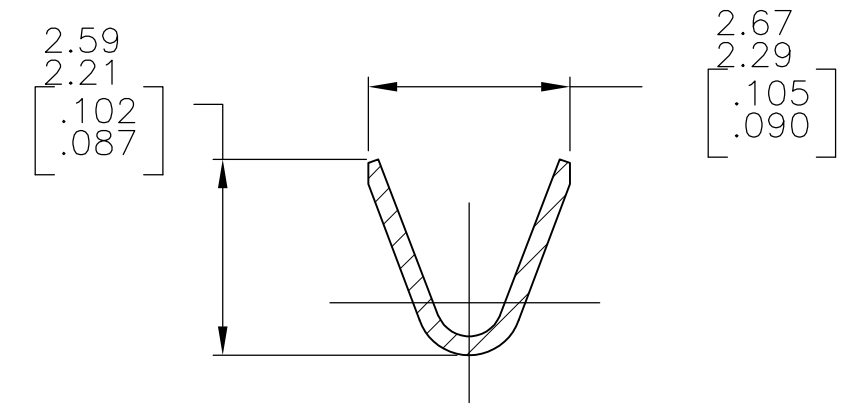
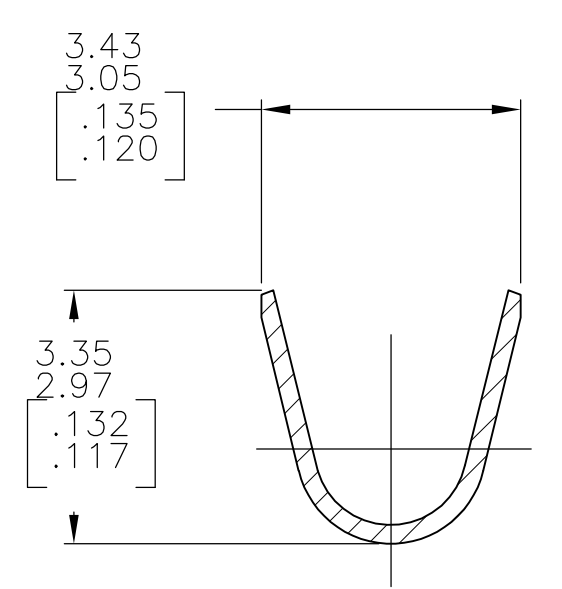
THIS DRAWING IS UNPUBLISHED. RELEASED FOR PUBLICATION
 © COPYRIGHT BY TYCO ELECTRONICS CORPORATION. ALL RIGHTS RESERVED.

LOC		DIST		REVISIONS			
P	LTR	DESCRIPTION		DATE	DWN	APVD	
	Z	REV PER 0G3C-0515-04		05JAN05	JR	MM	
	Z1	REVISED PER ECO-09-024927		06NOV09	KK	AEG	



- 1 .000030 GOLD OVER .000030 NICKEL IN CONTACT AREA.
- 2 .000015 GOLD OVER .000030 NICKEL IN CONTACT AREA.
- 3 .067 MAX ALLOWED IN LOCKING POSITION AREA FOR .140 REF LENGTH.
- 4 TIN-LEAD IN CRIMP AREA.
- 5 OBSOLETE
- 6 .000050 GOLD OVER .000050 NICKEL IN CONTACT AREA. REMAINDER OF CONTACT GOLD FLASH OVER NICKEL.
- 7 CRIMP TWIN LEAF CONTACTS WITH 22-18 AWG WIRE RANGE TO BE USED ONLY WITH .125CL & .156CL CRIMP TWIN LEAF HOUSINGS.
- 8 UNPLATED PARTS IN STRIP FORM REELED ON CORRUGATED REEL FOR SALABLE PART.
- 9 TIN IN CRIMP AREA.
- 10 OBSOLETE PARTS: OBSOLETE CIS STREAMLINING PER D.RENAUD/D.SINISI

COLOR CODED VIOLET FOR WIRE RANGE IDENTIFICATION (LOOSE PIECE ONLY)



SECTION B-B
WIRE RANGE
#22-#18 AWG

SECTION A-A
INSULATION RANGE
.095-.045 DIA

OBSOLETE	5-583649-3	583649-8	1 9	10 5-583649-6
	5-583649-2	583649-9	2 9	10 5-583649-5
OBSOLETE	1-583649-1	-	8	-
	583649-4	1-583649-0	6	10 583649-7
OBSOLETE	583649-3	583649-8	1 4	583649-6
OBSOLETE	583649-2	583649-9	2 4	10 583649-5
	STRIP PART # STD REELING LEFT TO RIGHT	STRIP PART # REELING RIGHT TO LEFT	FINISH	LOOSE PIECE

THIS DRAWING IS A CONTROLLED DOCUMENT.		DWN A. STAUB BG 02AUG93	Tyco Electronics Corporation Harrisburg, PA 17105-3608	
DIMENSIONS: mm [INCHES]		CHK H ROSE 18FEB94	NAME CONTACT-TWIN LEAF (CRIMP-SNAP)	
TOLERANCES UNLESS OTHERWISE SPECIFIED: 0 PLC ± - 1 PLC ± - 2 PLC ± - 3 PLC ± .005 4 PLC ± - ANGLES ± -		APVD H ROSE 18FEB94	PRODUCT SPEC	
MATERIAL PHOS BRONZE	FINISH SEE TABLE	APPLICATION SPEC	WEIGHT -	RESTRICTED TO -
CUSTOMER DRAWING		SCALE 10:1	SHEET 1 of 1	REV Z1

单击下面可查看定价，库存，交付和生命周期等信息

[>>TE Connectivity\(泰科\)](#)