

4

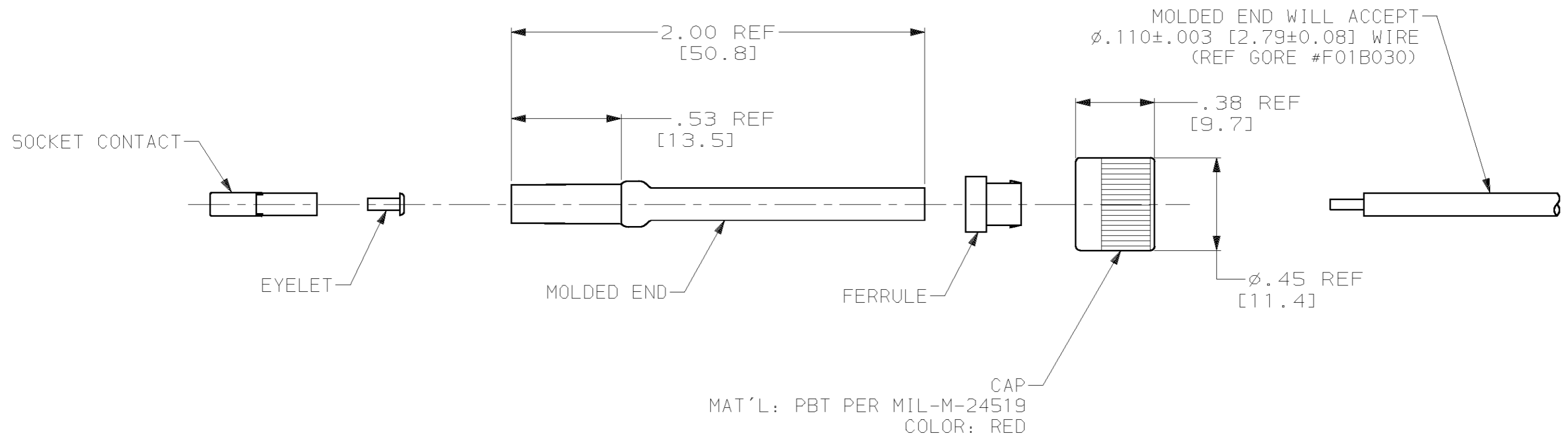
3

2

1

THIS DRAWING IS UNPUBLISHED. RELEASED FOR PUBLICATION ,19 .
 © COPYRIGHT 19 BY AMP INCORPORATED. ALL RIGHTS RESERVED.

LOC	DIST	REVISIONS			
P	LTR	DESCRIPTION	DATE	DWN	APVD
DF	50	C	REV & REDRAWN; 0G3D-0300-99	5-00	CT DE



1. TAG IS MARKED WITH AMP, AMP PART NO, DATE CODE AND CUSTOMER PART NO. (SEE TABLE) PER MIL-STD-130,

34062120-002	868287-1
CUSTOMER PART NO.	PART NUMBER

THIS DRAWING IS A CONTROLLED DOCUMENT.		DWN C.C. THOMAS 5/9/00	AMP AMP Incorporated Harrisburg, PA 17105-3608
DIMENSIONS: INCHES [mm]		CHK D.EABY 5/9/00	
TOLERANCES UNLESS OTHERWISE SPECIFIED:		APVD D.EABY 5/9/00	NAME
0 PLC ±-		PRODUCT SPEC	MOLDED END BOOT KIT, POSITIVE STOP, LGH-1/2
1 PLC ±-		APPLICATION SPEC	SIZE
2 PLC ±-		WEIGHT	CAGE CODE
3 PLC ±-		CUSTOMER DRAWING	DRAWING NO
4 PLC ±-			RESTRICTED TO
ANGLES ±-			A3 00779 C-868287
MATERIAL -	FINISH -		SCALE 2:1
			SHEET 1 OF 1
			REV C

单击下面可查看定价，库存，交付和生命周期等信息

[>>TE Connectivity\(泰科\)](#)