

THIS DRAWING IS UNPUBLISHED.

RELEASED FOR PUBLICATION

REVISIONS

© COPYRIGHT - By -

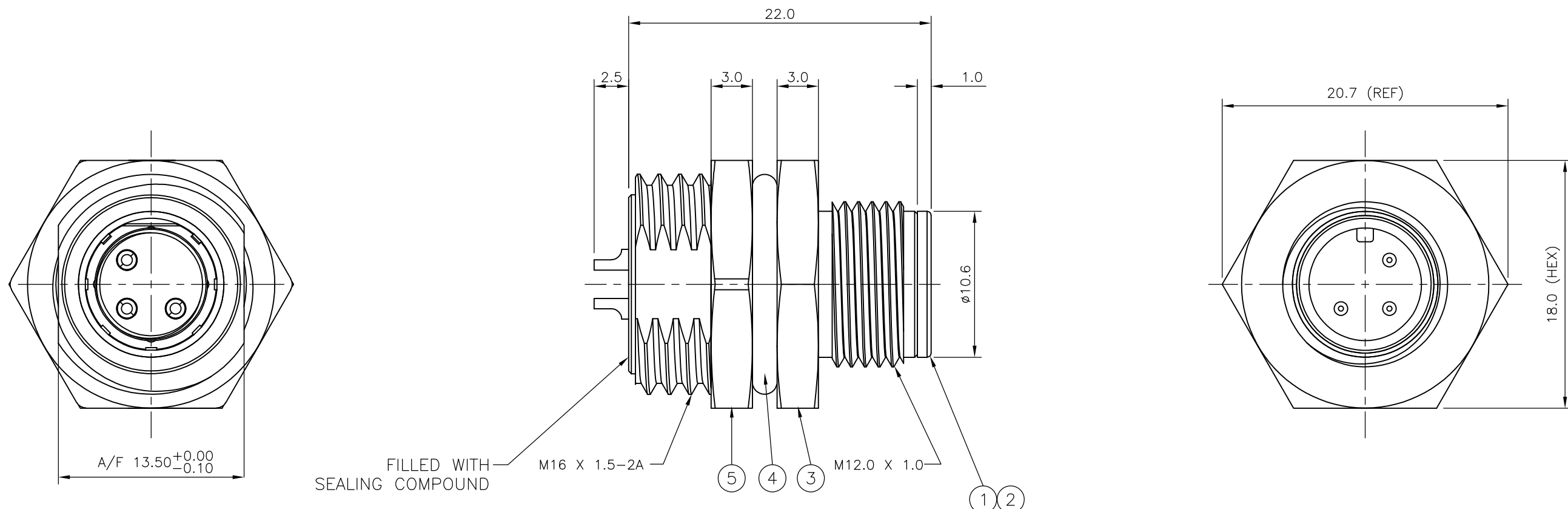
ALL RIGHTS RESERVED.

P	LTR	DESCRIPTION	DATE	DWN	APVD
	C2	ALLOWABLE WIRE SIZES ADDED IN TABLE	07JUL2015	TJ	NG

NOTES:

- ELECTRICAL DATA: CONTACT RESISTANCE: 10 mOhm MAX
INSULATION RESISTANCE: 100 MOhm MIN at 500VDC
CURRENT RATING: 5 AMPS (FOR 3, 4 AND 5 POSITIONS) AND 2 AMPS (FOR 8 POSITION ONLY)
BREAKDOWN VOLTAGE: 500 VAC MIN PER MINUTE
- ENVIRONMENTAL: OPERATING TEMPERATURE: -25°C TO +90°C
SEALING REQUIREMENTS: IP67
- PACKAGING: 107-3334
- FOR TECHNICAL DATA REFER TO YOUR LOCAL TE CONNECTIVITY SALES OFFICE.
- ALL DIMENSIONS ARE NOMINAL FOR REFERENCE ONLY UNLESS OTHERWISE STATED.

ITEM	DESCRIPTION	MATERIAL	FINISH/COLOUR	QUANTITY / ITEM			
				-1	-2	-3	-4
1	CONNECTOR HOUSING	GF NYLON	BLACK	1	1	1	1
2	PIN CONTACT	BRASS	0.15µm GOLD OVER NICKEL	3	4	5	8
3	CONNECTOR BODY	ZINC DIE CAST	2.5µm NICKEL PLATED	1	1	1	1
4	'O' RING	EPDM	BLACK	1	1	1	1
5	SCREW NUT	ZINC DIE CAST	2.5µm NICKEL PLATED	1	1	1	1



ALLOWABLE WIRE SIZE	DESCRIPTION	NO. OF POS	PART NUMBER
24AWG	M12 METAL MALE PANEL MOUNT CONNECTOR, SOLDER, STRAIGHT, REAR (HEXAGONAL) MOUNTING	8	1838893-4
22AWG	M12 METAL MALE PANEL MOUNT CONNECTOR, SOLDER, STRAIGHT, REAR (HEXAGONAL) MOUNTING	5	1838893-3
22AWG	M12 METAL MALE PANEL MOUNT CONNECTOR, SOLDER, STRAIGHT, REAR (HEXAGONAL) MOUNTING	4	1838893-2
22AWG	M12 METAL MALE PANEL MOUNT CONNECTOR, SOLDER, STRAIGHT, REAR (HEXAGONAL) MOUNTING	3	1838893-1

THIS DRAWING IS A CONTROLLED DOCUMENT.		DWN A.Morey 05MAR07	STE TE Connectivity	
DIMENSIONS: mm		CHK F.Wheeler-King 08MAR07		
TOLERANCES UNLESS OTHERWISE SPECIFIED:		APVD F.Wheeler-King 08MAR07	NAME M12 METAL MALE PANEL MOUNT CONN, SOLDER, ST, REAR MOUNTING	
0 PLC ± -		PRODUCT SPEC 108-3641	SIZE A3	
1 PLC ± -		APPLICATION SPEC	CAGE CODE 00779	DRAWING NO C-1838893
2 PLC ± -		WEIGHT	RESTRICTED TO	
3 PLC ± -		MATERIAL	SCALE NTS	
4 PLC ± -		FINISH	SHEET 1 OF 2	
ANGLES ± -			REV C2	
MATERIAL			CUSTOMER DRAWING	

THIS DRAWING IS UNPUBLISHED. RELEASED FOR PUBLICATION
 © COPYRIGHT - By - ALL RIGHTS RESERVED.

REVISIONS				
P	LTR	DESCRIPTION	DATE	APVD
-	-	SEE SHEET 1	-	-

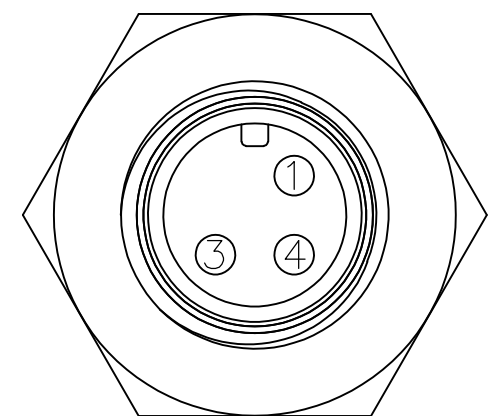
1838893-1

1838893-2

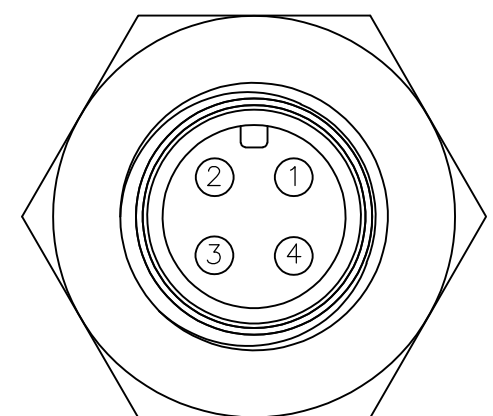
1838893-3

1838893-4

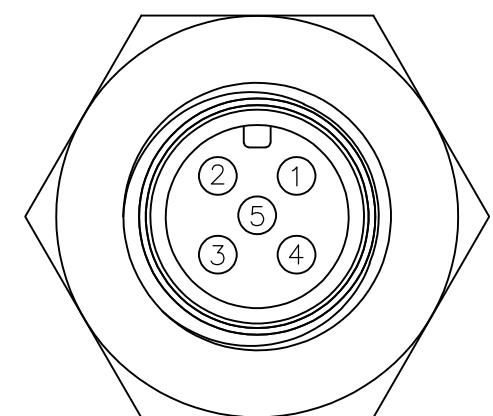
PIN ASSIGNMENTS
FRONT VIEW



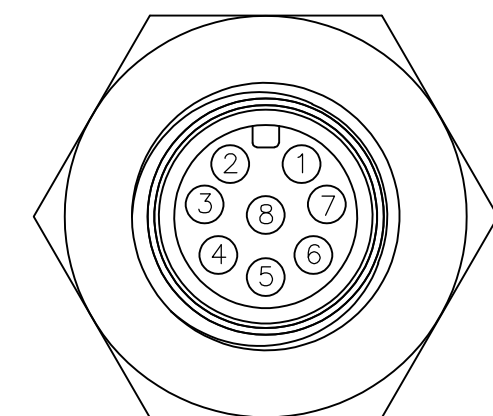
PIN ASSIGNMENTS
FRONT VIEW



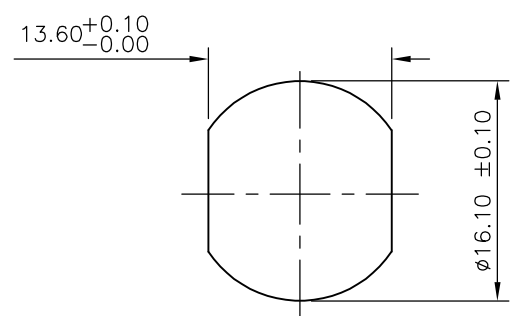
PIN ASSIGNMENTS
FRONT VIEW



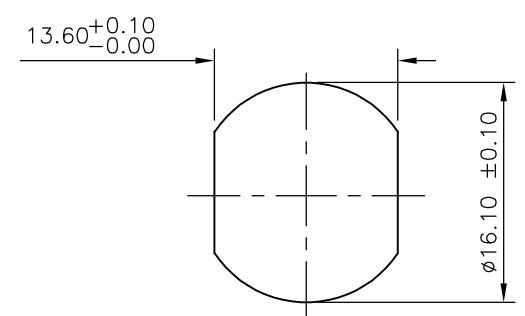
PIN ASSIGNMENTS
FRONT VIEW



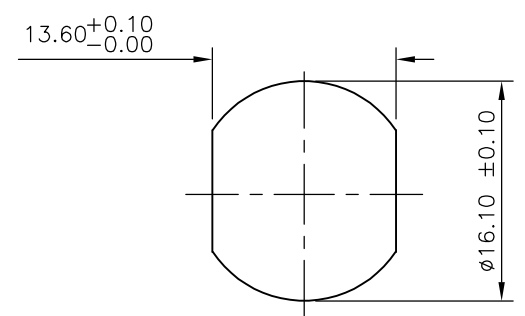
RECOMMENDED PANEL CUT-OUT
(MAX PANEL THICKNESS 4.5mm)



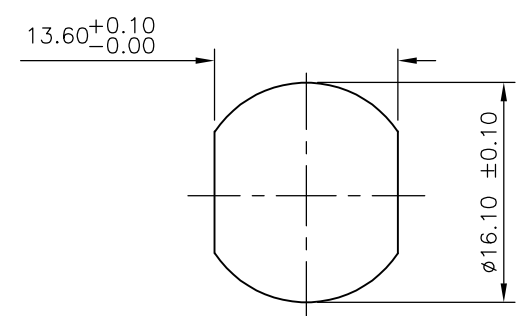
RECOMMENDED PANEL CUT-OUT
(MAX PANEL THICKNESS 4.5mm)



RECOMMENDED PANEL CUT-OUT
(MAX PANEL THICKNESS 4.5mm)



RECOMMENDED PANEL CUT-OUT
(MAX PANEL THICKNESS 4.5mm)



THIS DRAWING IS A CONTROLLED DOCUMENT.

DIMENSIONS: mm	TOLERANCES UNLESS OTHERWISE SPECIFIED:
	0 PLC ± -
	1 PLC ± -
	2 PLC ± -
	3 PLC ± -
	4 PLC ± -
	ANGLES ± -
MATERIAL	FINISH
-	-

DWN	A.Morey	05MAR07
CHK	F.Wheeler-King	08MAR07
APVD	F.Wheeler-King	08MAR07
PRODUCT SPEC	108-3641	
APPLICATION SPEC	-	
WEIGHT	-	
CUSTOMER DRAWING		



M12 METAL MALE PANEL MOUNT CONN,
SOLDER, ST, REAR MOUNTING

SIZE	CAGE CODE	DRAWING NO	RESTRICTED TO
A3	00779	C-1838893	-
SCALE	SHEET	REV	
NTS	2 OF 2	C2	

单击下面可查看定价，库存，交付和生命周期等信息

[>>TE Connectivity\(泰科\)](#)