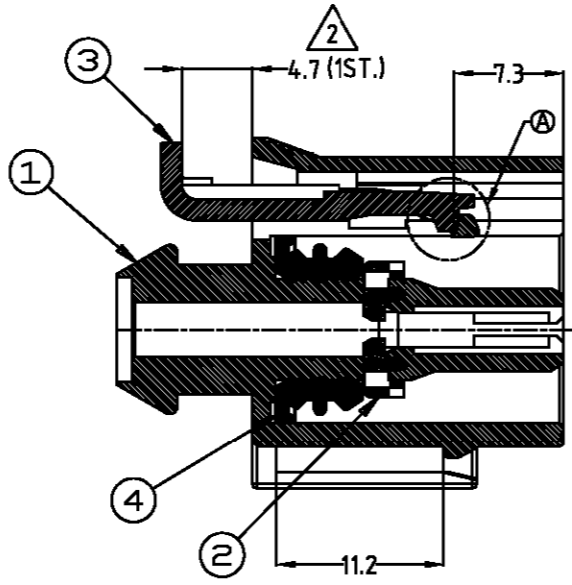
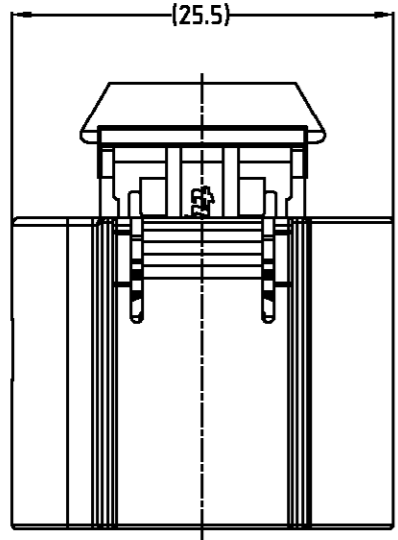
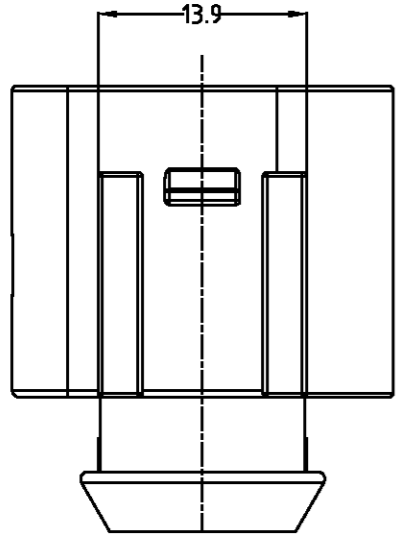
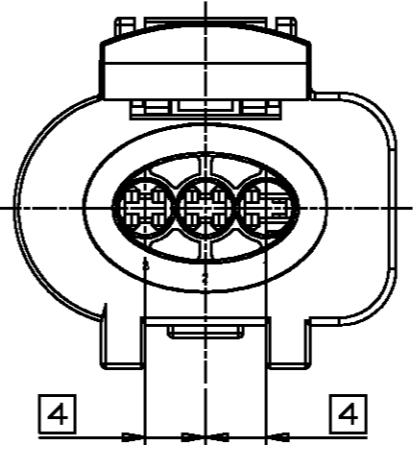
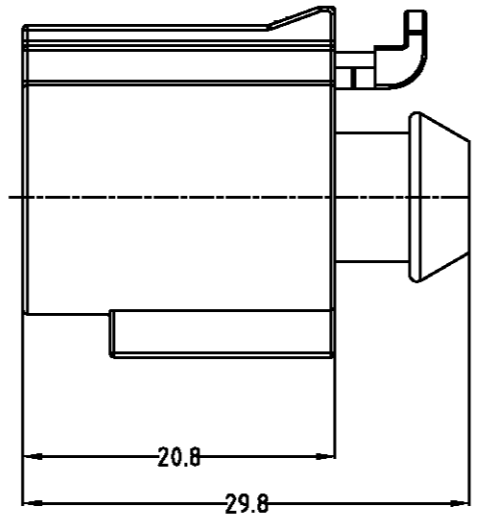
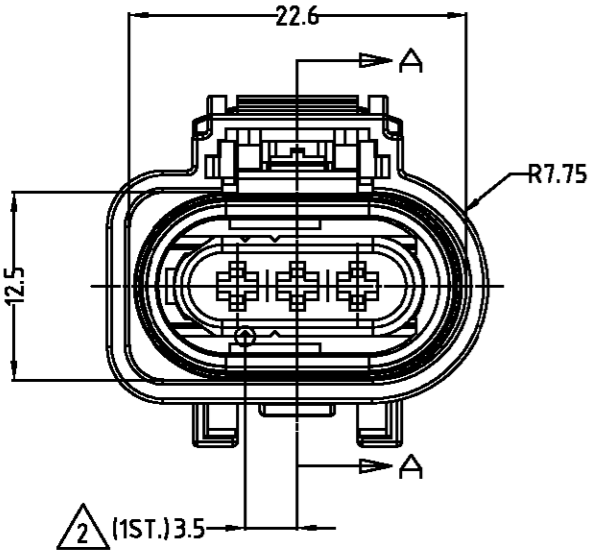
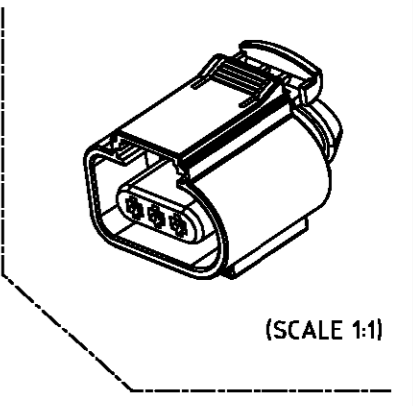


LOC		DIST		REVISIONS			
P	LTR	DESCRIPTION	DATE	DWN	APVD		
DS	-						
	0	RELEASED(FC00-0159-03)	10/NOV/03	MS	CS		
	A	REVISED(FC00-0038-04)	10/MAR/04	MS	CS		



SECTION A-A  
SCALE 2.000

- NOTES;
- GENERAL TOLERANCE IS  $\pm 0.3$
  - CONDITION OF DELIVERY :  
DBL & CPA IN 1ST. LOCKING POSITION
  - APPLIED RECEPTACLE CONTACT P/N : TABLE 1.
  - APPLIED SINGLE WIRE SEAL P/N :  
INSUL.  $\phi 1.4$  1.9mm : 0-963530-1(0.5-0.75 sqmm),  
INSUL.  $\phi 1.9$  2.1mm : 0-964972-1(1.0 sqmm)
  - CAVITY PLUG SEAL P/N : 0-964972-1(1.0 sqmm)
  - APPLIED CLIP HSG P/N : TABLE 2



**<TABLE 1>**

TYPE	Part NO.	WIRE SIZE(mm <sup>2</sup> )	FINISH
MICRO TIMER II	0-962876-1	0.5-1.0	CuSn4
	0-962876-3		CuSn4(GOLD)

NO	P/N	DESCRIPTION	MATERIAL	COLOR	Q'TY	ASS'Y P/N
④	0-936890-1	INNER SEAL	SILICONE	RED BROWN	1	0-936586-2
③	0-936589-5	CPA HSG	PBT GF15	YELLOW	-	1-936586-2
③	0-936589-1	CPA HSG	PBT GF15	WHITE	1	-
②	0-936588-6	DBL HSG	PBT GF15	WINE RED	1	1
①	0-936587-2	PLUG HSG	PA66 GF30	BLACK	1	1

**<TABLE 2>**

Part NO.	PANEL THICKNESS	PANEL HOLE SIZE
368269-1 (KEY HOLE)	0.7-1.6mm	
368260-1 (HOLE TYPE)		

THIS DRAWING IS A CONTROLLED DOCUMENT FOR TYCO ELECTRONICS CORPORATION. IT IS SUBJECT TO CHANGE AND THE CONTROLLING ENGINEERING ORGANIZATION SHOULD BE CONTACTED FOR THE LATEST REVISION.

DWN : MS HER  
 CHK : BM JANG  
 APVD : CS LEE

**tyco Electronics** AMP KOREA  
 Kyungsan Korea

DIMENSIONS: MM  
 TOLERANCES UNLESS OTHERWISE SPECIFIED:  
 0 PLC ±  
 1 PLC ±  
 2 PLC ±  
 3 PLC ±  
 4 PLC ±  
 ANGLES ±  
 MATERIAL SEE TABLE  
 FINISH SEE NOTE

PRODUCT SPEC  
 APPLICATION SPEC  
 WEIGHT

NAME  
**PLUG ASSEMBLY FOR TPMS 3P**

SIZE A3 CAGE CODE 00779 DRAWING NO C-936586 RESTRICTED TO

SCALE 2/1 SHEET 1 OF 1 REV A

单击下面可查看定价，库存，交付和生命周期等信息

[>>TE Connectivity\(泰科\)](#)