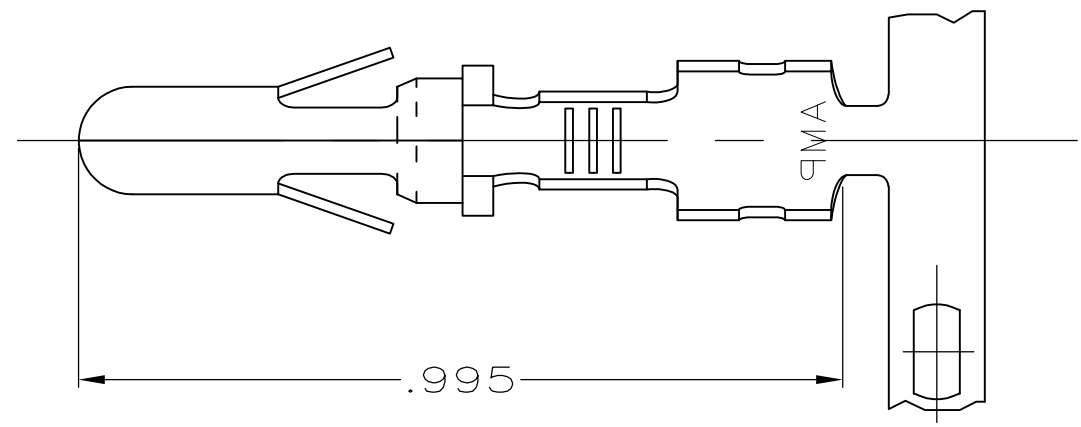
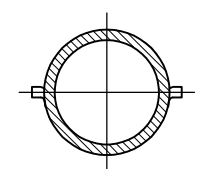
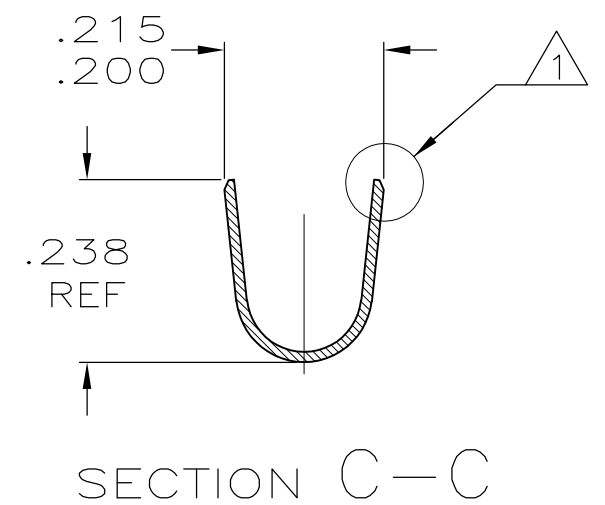
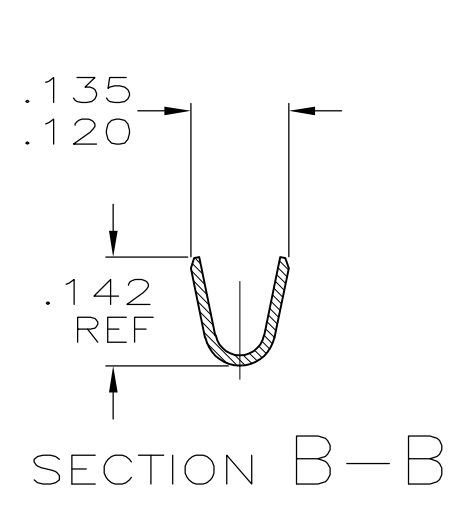
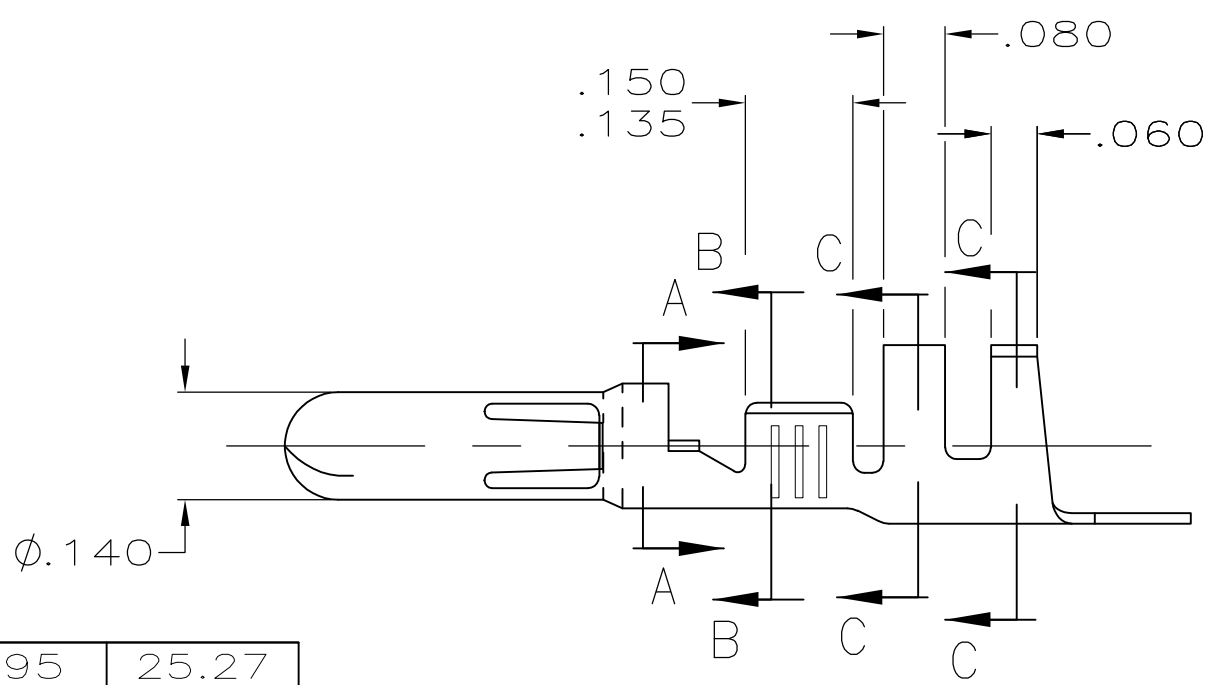


THIS DRAWING IS UNPUBLISHED. RELEASED FOR PUBLICATION
 © COPYRIGHT - By - ALL RIGHTS RESERVED.

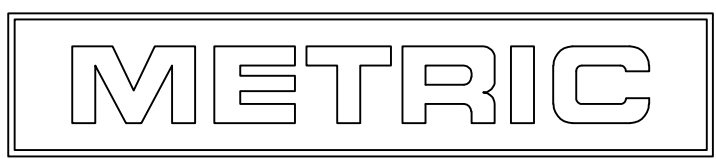
LOC	DIST	REVISIONS			
P	LTR	DESCRIPTION	DATE	DWN	APVD
CM	53				
	D1	REVISED PER ECO-11-005027	11MAR11	RK	HMR



⚠ SWAGE, INSULATION BARREL ONLY.



SECTION A-A



IN	MM
.995	25.27
.238	6.05
.215	5.46
.200	5.08
.150	3.81
.142	3.61
.140	3.56
.135	3.43
.120	3.05
.080	2.03
.060	1.52
.014	0.36
.005	0.13
IN	MM

CONVERSION TABLE

	TIN	.014 PH. BRZ	61627-2
350389-1	TIN	.014 BRASS	61627-1
LOOSE PIECE (REF)	FINISH	MATERIAL	PART NUMBER

THIS DRAWING IS A CONTROLLED DOCUMENT.

DIMENSIONS: INCHES	TOLERANCES UNLESS OTHERWISE SPECIFIED:	DWN L. SMITH 4-07-94	STE TE Connectivity
	0 PLC ± -	CHK R. SWING 4-07-94	
	1 PLC ± -	APVD C. MARTIN 4-11-94	
MATERIAL SEE TABLE	FINISH SEE TABLE	PRODUCT SPEC -	NAME .140 DIA PIN
		APPLICATION SPEC -	SIZE A3
		WEIGHT -	CAGE CODE 00779
			DRAWING NO C-61627
			RESTRICTED TO -
			SCALE 4:1
			SHEET 1 OF 1
			REV D1

CUSTOMER DRAWING

单击下面可查看定价，库存，交付和生命周期等信息

[>>TE Connectivity\(泰科\)](#)