

THIS DRAWING IS UNPUBLISHED.

RELEASED FOR PUBLICATION

2009

© COPYRIGHT 2009

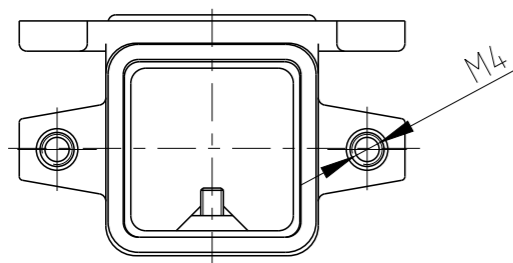
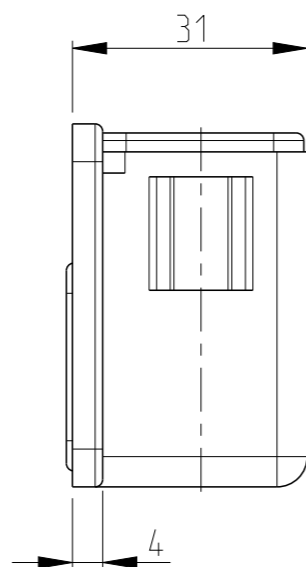
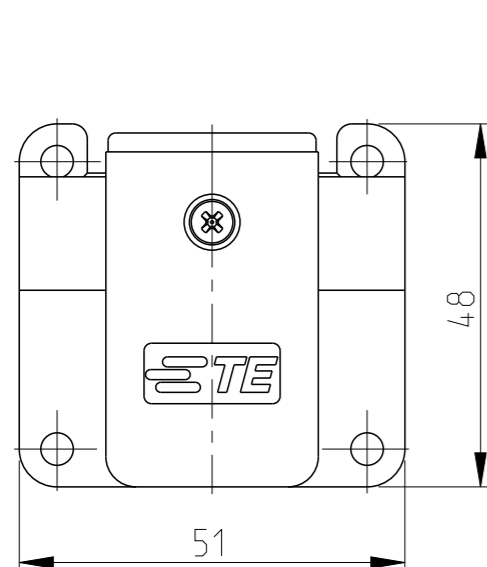
ALL RIGHTS RESERVED.

LOC
A1

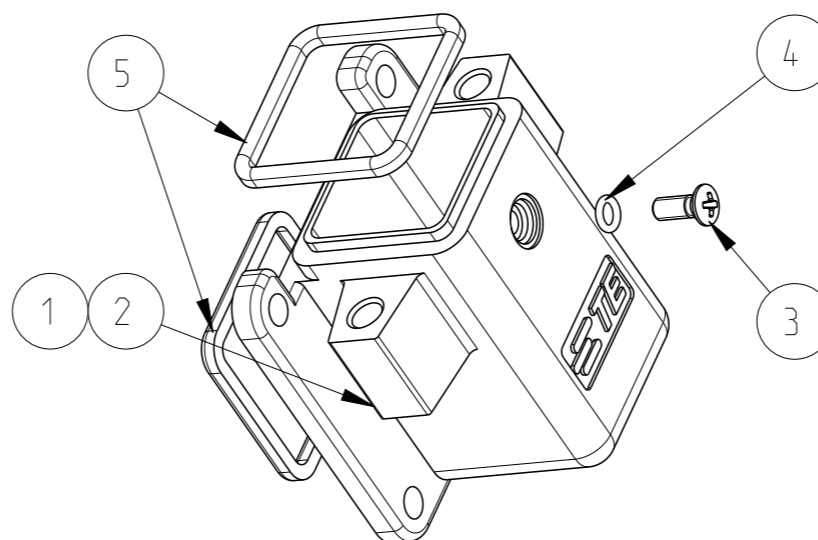
DIST
-

REVISIONS

P	LTR	DESCRIPTION	DATE	DWN	APVD
	A7	ECR-09-023155	22OCT2009	VG	AR
	A8	ECR-14-006716	15MAY2014	RK	MKO
	B	ECR-16-001983	19MAY2016	GCM	JB
	C	ECR-16-014579	25APR2017	GCM	JB



PN 4-5 AS SHOWN

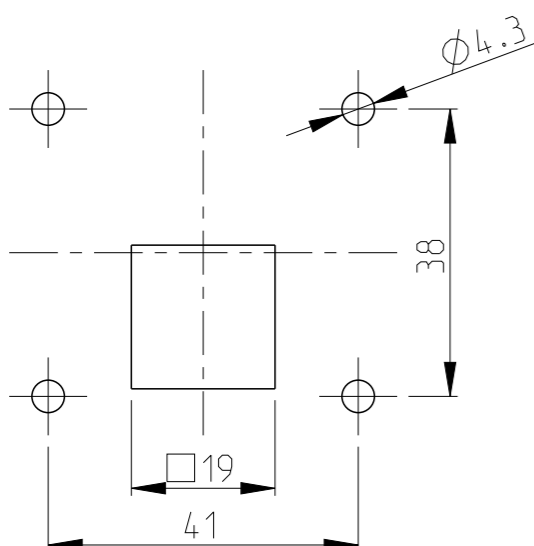


Notes

- 1 SUITABLE HOUSINGS: SERIES EMV, SIZE 1
CUSTOMER DRAWING 1102700, 1106402, 1106200
- 2 STANDARDS:
DIN EN 61984, DIN EN 60664-1
- 3 SUR TEC 650 CHROMIT AL TCP PASSIVATION
- 4 TOOL:
PHILLIPS SCREWDRIVER PH1.
- 5 VARNISH ON INSIDE AREA NOT NECESSARY
- 6 PACKAGING:
10 SETS IN A CARTON.



3-1102702-5	EMV.3/4.SGF
4-1102702-5	EMV-K.3/4.SGF
PART NO.	ORDERING TEXT

PANEL-CUT-OUT



PN/QTY	DESCRIPTION	MATERIAL	COLOR/SURFACE	NOTE	ITEM
2	2 PROFILE SEAL	FKM	BLACK	SERIES EMV / HIP	5
1	1 O - RING	NBR	BLACK	3.0x1.0	4
1	1 SCREW COUNTERSUNK RAISED HEAD	STAINL. STEEL V2A	-	M3x8 PH1 DIN EN ISO 7047	3
1	1 ANGLED BULKHEAD HOUSING	ALU	BLACK SEE NOTE 3	SERIES EMV-K	2
-	1 ANGLED BULKHEAD HOUSING	ALU	GREY	SERIES EMV	1

PARTS LIST (PER ONE UNIT)

THIS DRAWING IS A CONTROLLED DOCUMENT.		DWN V.GLUMM 25AUG2009	 TE Connectivity
DIMENSIONS: mm		CHK H.Braun 25AUG2009	
TOLERANCES UNLESS OTHERWISE SPECIFIED:		APVD T.Schnurpfeil 25AUG2009	
 0 PLC ±- 1 PLC ±- 2 PLC ±- 3 PLC ±- 4 PLC ±- ANGLES ±1°		PRODUCT SPEC -	
MATERIAL -	FINISH -	APPLICATION SPEC -	NAME ANGLED BULKHEAD HOUSING ASS'Y BOTTOM ENTRY, SERIES EMV, SIZE 1
Customer Drawing		WEIGHT -	SIZE A3
		RESTRICTED TO -	CAGE CODE 00779
		SCALE 1:1	DRAWING NO C-1102702
		SHEET 1 OF 1	REV C1

单击下面可查看定价，库存，交付和生命周期等信息

[>>TE Connectivity\(泰科\)](#)