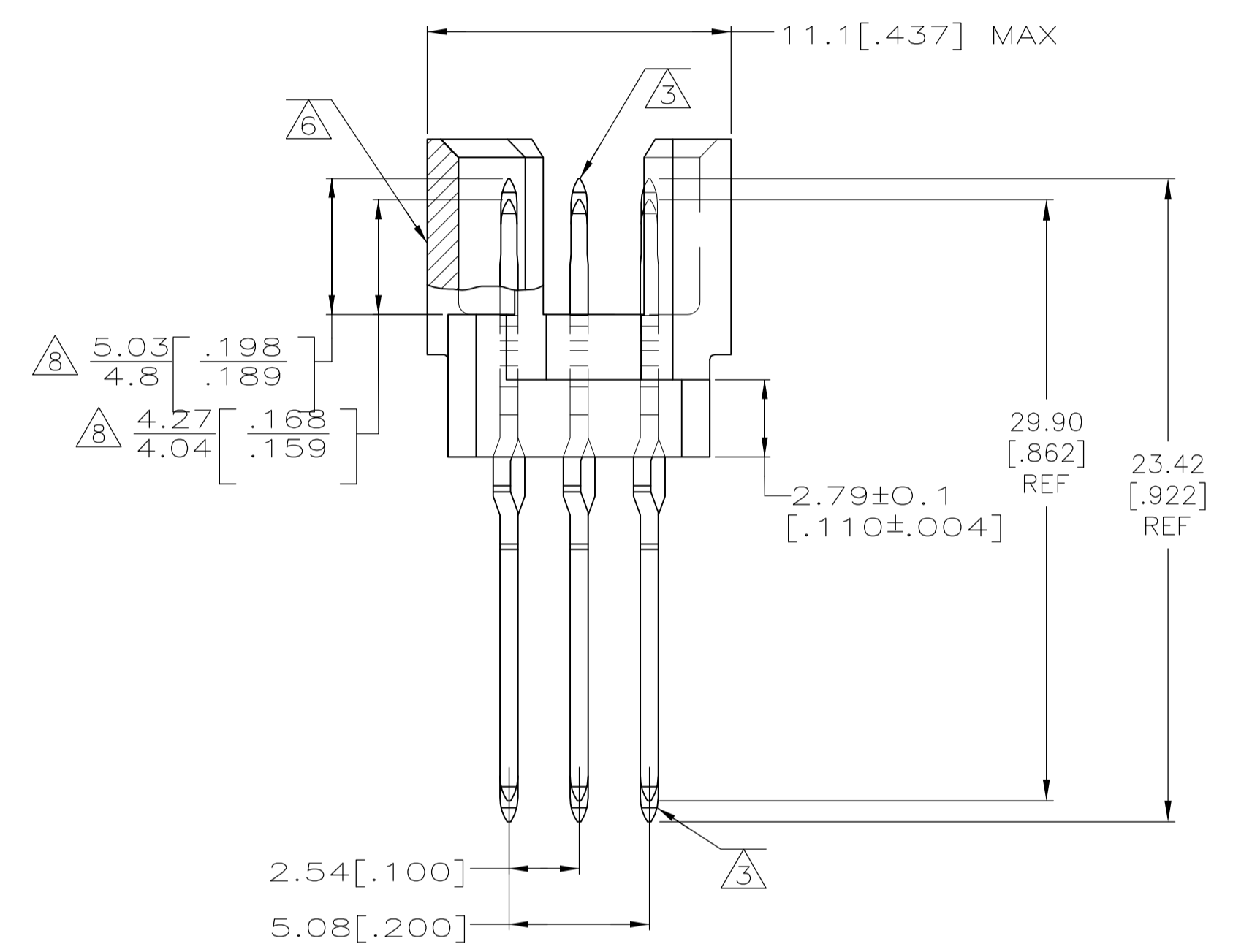


- 1 HOUSING MATERIAL: GLASS-FILLED POLYESTER. COLOR: GRAY.
- 2 POST MATERIAL: PHOSPHOR BRONZE.
- 3 POST FINISH: DIN 41612 CLASS 2 IN CONTACT AREA AND LAST 5.08 [.200] OF POST
- 4 PC BOARD HOLES REQUIRED FOR ACTION PIN CONTACTS ARE 1.151[.0453] DRILL DIAMETER PLATED THROUGH WITH 0.02-.08[.001-.003] COPPER AND 0.008[.0003] MINIMUM TIN-LEAD PLATING. FINISHED HOLE AFTER PLATING, 0.94-1.09[.037-.043] DIAMETER.
- 5 PART NUMBER, DATE CODE MARKED THIS APPROXIMATE AREA.
- 6 MARKING ON THIS SIDE.
- 7 A 2.36[.093] MINIMUM THICK PC BOARD IS REQUIRED. PROGRAMMABLE SEATING TOOL 768216-4 MUST BE USED. PUSH PIN FOR 5.69[.224] LONG CONTACTS MUST BE MODIFIED.
- 8 DIMENSION APPLIES AFTER SEATING.



5,11,14,17,43	1-4,6-10,12,13,15,16,18-42,44-47,50	C	48	148495-2
5,11,14,17,43	1-4,6-10,12,13,15,16,18-42,44-47,50	B	48	
5,11,14,17,43	1-4,6-10,12,13,15,16,18-42,44-47,50	A	48	
17,43,45,47	1-16,18-42,44,46,48-50	C	50	148495-1
17,43,45,47	1-16,18-42,44,46,48-50	B	50	
17,43,45,47	1-16,18-42,44,46,48-50	A	50	
8 POSNS LOADED WITH 4.93[.194] CONTS AND 13.23[.521] TAILS	8 POSNS LOADED WITH 4.16[.164] CONTS AND 12.47[.491] TAILS	ROWS	NO. OF LOADED POSITIONS	PART NUMBER

OBSOLETE

THIS DRAWING IS A CONTROLLED DOCUMENT.

DIMENSIONS:	TOLERANCES UNLESS OTHERWISE SPECIFIED:	APPROVED:	DATE:
mm	0 PLC ± - 1 PLC ± - 2 PLC ± 0.13[.005] 3 PLC ± - 4 PLC ± - ANGLES ± -	L. BRINER C. RICHARD C. RICHARD	7/22/98 7/22/98 7/22/98
MATERIAL:	FINISH:	PRODUCT SPEC:	APPLICATION SPEC:
-	-	-	-

Customer Drawing: A1 00779 C=148495

Scale: 5:1, Sheet: 1 of 1, Rev: B

单击下面可查看定价，库存，交付和生命周期等信息

[>>TE Connectivity\(泰科\)](#)