

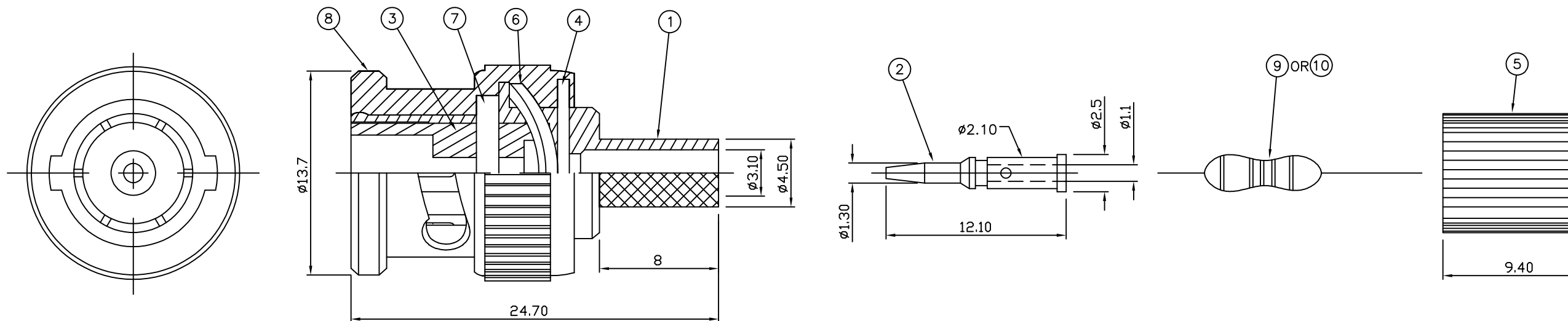
THIS DRAWING IS UNPUBLISHED. RELEASED FOR PUBLICATION MAY , 2006.

© COPYRIGHT 2006 By - ALL RIGHTS RESERVED.

LOC	DIST	REVISIONS					
E	B	P	LTR	DESCRIPTION	DATE	DWN	APVD
		B		ECO-09-003420	10 Mar 09	RITA	BOB
		C		ECO-12-010787	11JUN12	TITAN	MARTIN

NOTES

- 1 SINGLE PACK IN ACCORDANCE WITH AMP SPEC 107-3275
- 2 100 TRAY PACK IN ACCORDANCE WITH AMP SPEC 107-3275
- 3 Au PLATING
- 4 Ni PLATING



QTY	Obsolete	Obsolete	Obsolete	MATERIAL	DESCRIPTION	ITEM
1	1	-	-	METAL FILM	RESISTOR 75 OHM	10
-	-	1	1	METAL FILM	RESISTOR 50 OHM	9
1	1	1	1	ZINC ALLOY	BARREL	8
1	1	1	1	SILICON RUBBER	GASKET	7
1	1	1	1	SPRING STEEL	SPRING	6
1	1	1	1	ZINC ALLOY	CAP	5
1	1	1	1	IRON	WASHER	4
1	1	1	1	POLYMETHYLPENTENE	INSULATOR	3
1	1	1	1	BRASS	CONTACT	2
1	1	1	1	ZINC ALLOY	BODY	1
5	35	25	15	MATERIAL	DESCRIPTION	ITEM

THIS DRAWING IS A CONTROLLED DOCUMENT.		DWN RITA ZUO 10 Mar 09	STE TE Connectivity	
DIMENSIONS: mm		CHK ANSON MA 10 Mar 09		
TOLERANCES UNLESS OTHERWISE SPECIFIED:		APVD BOB ZHAO 10 Mar 09	NAME BNC PLUG TERMINATION - 50 OHM & 75 OHM	
0 PLC ± 0.5		PRODUCT SPEC 108-112000	SIZE	
1 PLC ± 0.3		APPLICATION SPEC	CAGE CODE	
2 PLC ± 0.2		WEIGHT	DRAWING NO	
3 PLC ± -		CUSTOMER DRAWING	RESTRICTED TO	
4 PLC ± -		FINISH	SCALE	
ANGLES ± -		SEE TABLE	SHEET	
MATERIAL			REV	
			1 OF 1	
			C	

单击下面可查看定价，库存，交付和生命周期等信息

[>>TE Connectivity\(泰科\)](#)