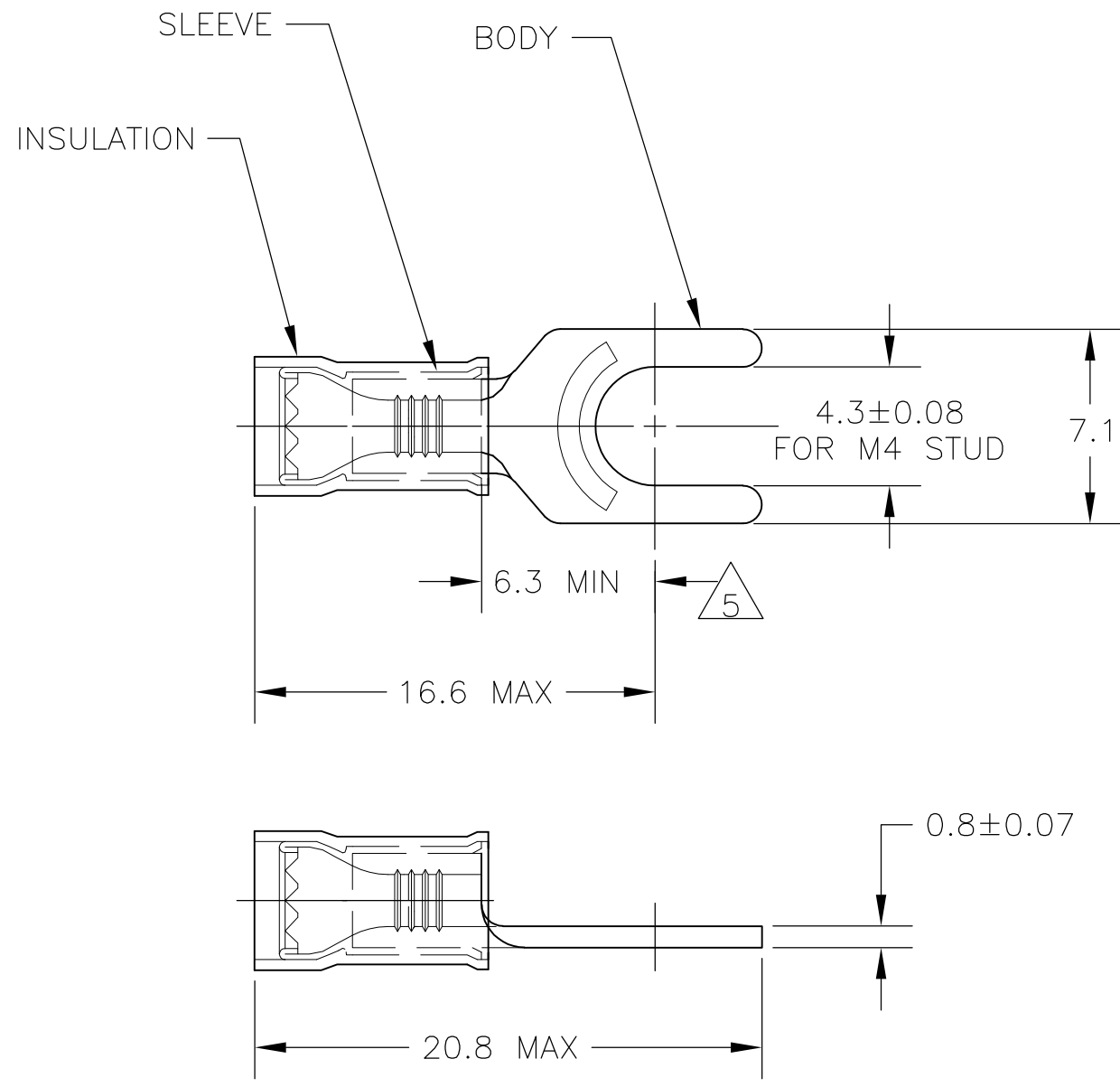


THIS DRAWING IS UNPUBLISHED. RELEASED FOR PUBLICATION
 © COPYRIGHT BY TYCO ELECTRONICS CORPORATION. ALL RIGHTS RESERVED.

LOC	DIST	REVISIONS					
		P	LTR	DESCRIPTION	DATE	DWN	APVD
G	14		F1	REVISED PER ECR-09-009722	05MAY09	HMR	TM
			F2	REVISED PER ECO-09-020935	29AUG09	KK	AEG



AMP
WIRE RANGE

22-16 AWG
SOLID OR STRANDED

- 1 STAMP "AMP 22-16*", APPROX AS SHOWN
- 2 WIRE INSULATION DIA: SEE TABLE
- 3 BODY & SLEEVE: TIN PLATE PER ASTM B545,
- 4 BODY & SLEEVE- CU PER ASTM B152
INSULATION - NYLON, COLOR - RED
- 5 APPLIES FROM EDGE OF METAL WIRE BARREL TO CENTER OF STUD HOLE.
- 6 UL LISTED E13288, 22-16 AWG, SOLID OR STRANDED.
- 7 OBSOLETE PARTS: OBSOLETE CIS STREAMLINING PER D.RENAUD/D.SINISI

7	OBSOLETE	6	2.0mm-3.2mm	ON TAPE, REEL	-2-130516-1
7	OBSOLETE	6	2.0mm-3.2mm	LOOSE PIECE	130516-2
7	OBSOLETE	---	3.0mm-3.9mm	LOOSE PIECE	130516-1
		6	2.0mm-3.2mm	LOOSE PIECE	130516
APPROVALS		WIRE INSULATION DIA		PACKAGE TYPE	PART NO

AMP INCORPORATED CUSTOMER SERVICE SYSTEMS		MAX RECOMMENDED OPERATING TEMPERATURE: 105°C MAX	THIS DRAWING IS A CONTROLLED DOCUMENT.		DWN JR RUTH 08NOV05	Tyco Electronics Corporation Harrisburg, PA 17105-3608	
FOR ADDITIONAL PRODUCT INFORMATION OR COPIES OF DRAWINGS AND TECHNICAL DOCUMENTS	PRODUCT INFORMATION CENTER 1-800-522-6752	VOLTAGE RATING: 300 V MAX	DIMENSIONS: MM INCHES	TOLERANCES UNLESS OTHERWISE SPECIFIED:	CHK T MICHIELUTTI 08NOV05	NAME TERMINAL, SPADE TONGUE, P.I.D.G. WIRE SIZE: 22-16 AWG	
FOR APPLICATION TOOLING INFORMATION	TOOLING ASSISTANCE CENTER 1-800-722-1111	CIRCULAR MIL AREA: 0.26-1.65mm² [509-3,260] SOLID OR STRANDED		0 PLC ± - 1 PLC ± 0.2 2 PLC ± - 3 PLC ± - 4 PLC ± - ANGLES ± -	APVD T MICHIELUTTI 08NOV05	SIZE	CAGE CODE
FOR ORDER ENTRY	1-800-526-5142	THIS DRAWING IS A CONTROLLED DOCUMENT FOR AMP INCORPORATED. IT IS SUBJECT TO CHANGE AND THE CONTROLLING ENGINEERING ORGANIZATION SHOULD BE CONTACTED FOR THE LATEST REVISION.	MATERIAL - 4	FINISH - 3	PRODUCT SPEC -	DRAWING NO A300779	DRAWING NO C-130516
			CUSTOMER DRAWING		WEIGHT -	RESTRICTED TO -	SCALE 4:1
					SHEET 1 OF 1		REV F2

单击下面可查看定价，库存，交付和生命周期等信息

[>>TE Connectivity\(泰科\)](#)