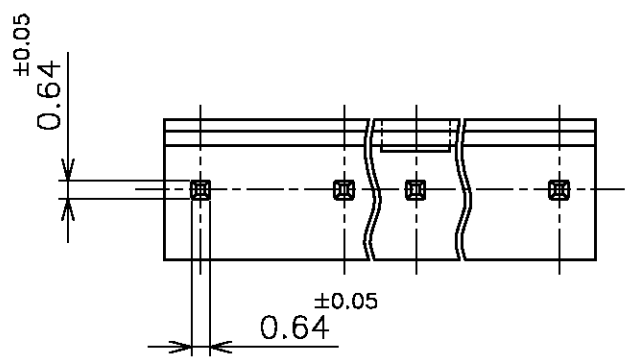
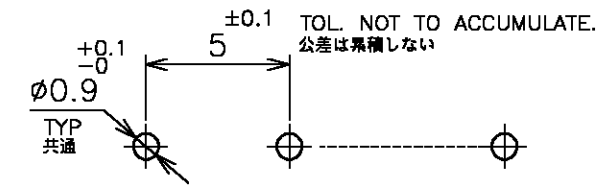
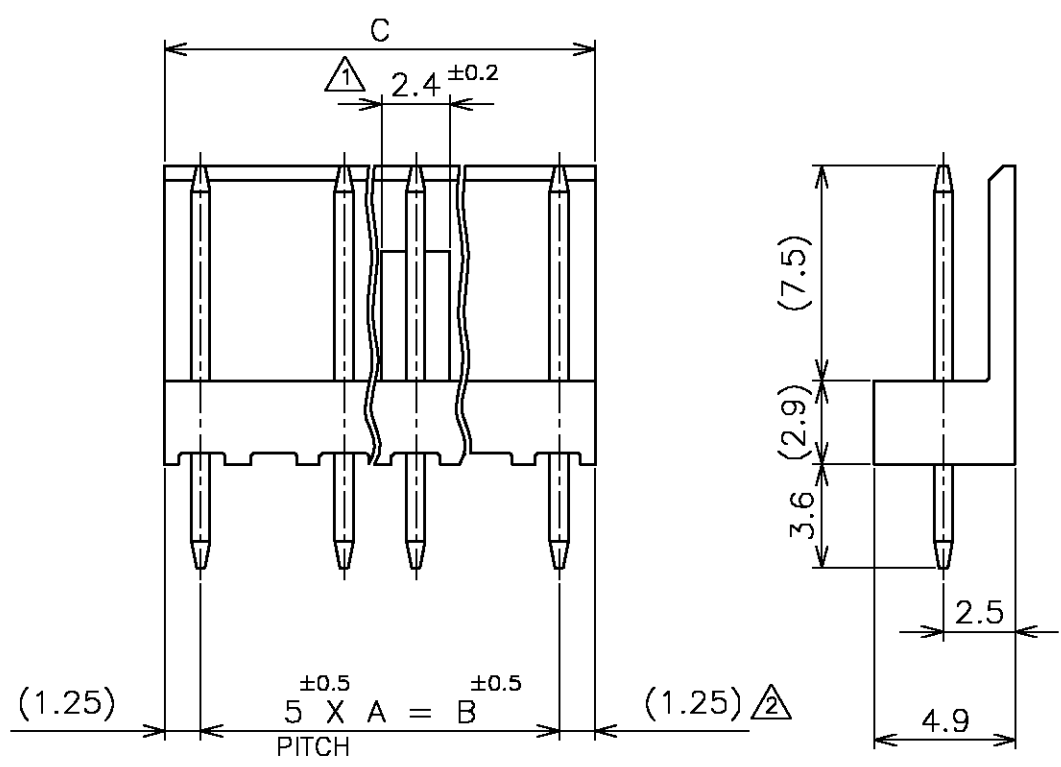


LOC	DIST	REVISIONS					
J	-	P	LTR	DESCRIPTION	DATE	DWN	APVD
			E	REVISED FJB0-0393-03	07MAY03	H.T	I.E



① LOCKING HOLE IS PLACED ON THE CENTER OF POST HEADER.
 ② 3.75 REF FOR -6 (6 POS) ONLY.

① ロッキング凹部位置は長手方向の中央。
 ② -6 (6極品) のみ 3.75 参考



RECOMMENDED BOARD LAYOUT (1.6 THK)
 取付基板穴寸法 (基板厚 1.6t)

30.0	25.0	5	6	4-172106-6	2-172106-6	172106-6
22.5	20.0	4	5	4- ↑ -5	2- ↑ -5	↑ -5
17.5	15.0	3	4	4- -4	2- -4	-4
12.5	10.0	2	3	4- -3	2- -3	-3
7.5	5.0	1	2	4-172106-2	2-172106-2	172106-2
±0.2 C	±0.5 B	A	NO OF POS 極数	BLUE 青色	BLACK 黒色	NATURAL 自然色
				PART NUMBER 型番		

THIS DRAWING IS A CONTROLLED DOCUMENT.

DWN	S.TSUKAKOSHI	29MAR79	tyco Electronics	Tyco Electronics AMP K.K. Kawasaki, Japan	
CHK	N.ONOUE	30MAR79		NAME	5mm PITCH POST HEADER ASSY (VERTICAL) AMP EI SERIES CONNECTOR
APVD	N.ONOUE	30MAR79	PRODUCT SPEC	製品規格	RESTRICTED TO
APPLICATION SPEC	取付適用規格		SIZE	A3	
MATERIAL	HSG : 66NYLON UL94V-0 POST: BRASS	FINISH	WEIGHT	CAGE CODE	DRAWING NO
	POST: TIN-PLATE			00779	172106
CUSTOMER DRAWING			SCALE	4:1	SHEET
					1 OF 1
					REV
					E

单击下面可查看定价，库存，交付和生命周期等信息

[>>TE Connectivity\(泰科\)](#)