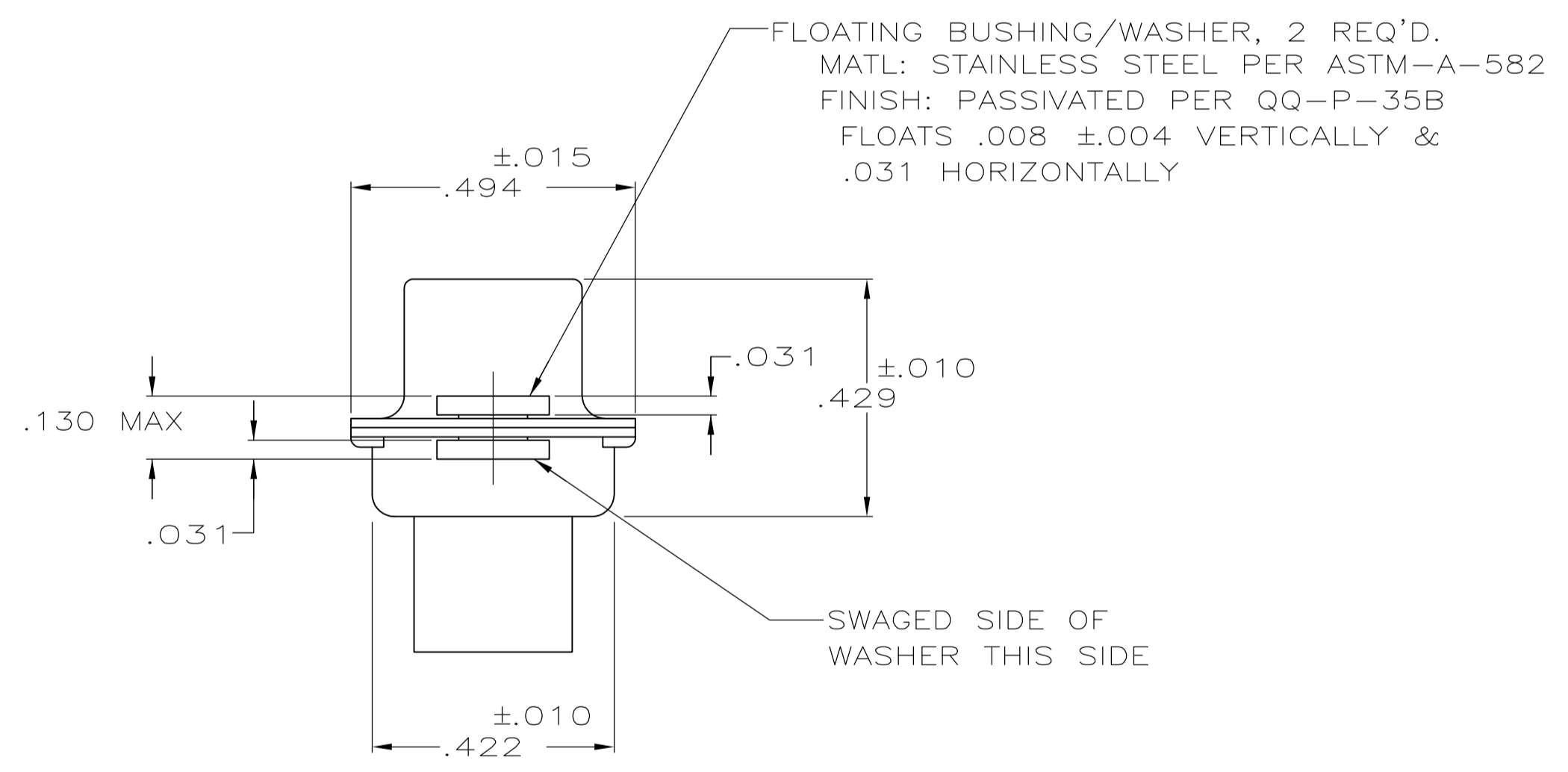
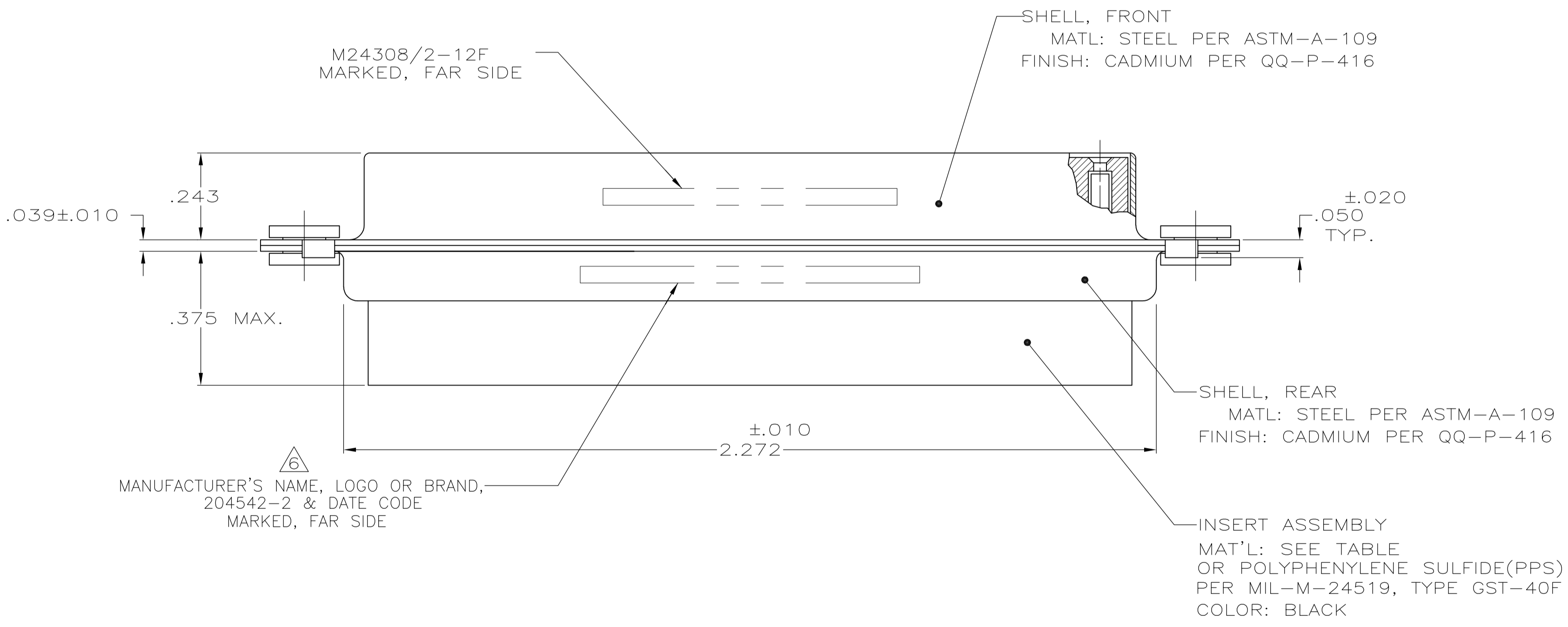
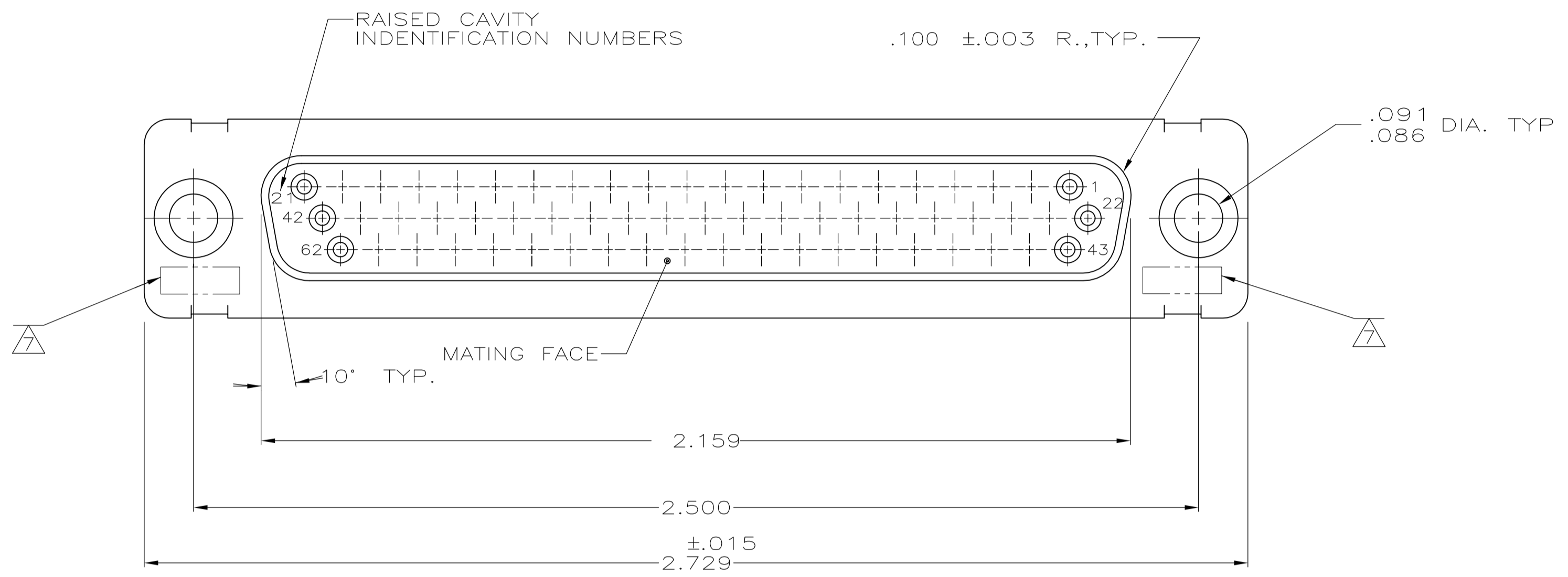


LOC		DIST		REVISIONS			
P	LTR	DESCRIPTION	DATE	DWN	APVD		
P		ECO-15-016062	10NOV15	KG	CD		

- THIS RCPT. IS DESIGNED TO CONFORM TO THE LATEST ISSUE OF MIL-C-24308
 - MAX WIRE INSUL TO BE USED WITH THIS RCPT IS .054 DIA
 - METAL RETENTION CLIPS ARE INCLUDED IN INSERTS
 - PACKAGE MARKED M 24308/2-300F
 - THIS RCPT. WILL ACCEPT SIZE 22 SOCKET CONTACT M 24308/12 OR TE # 204351
- MANUFACTURER'S PART NO. MARKED ON CONNECTOR REPRESENTS KIT NUMBER WITH CONTACTS
 UL/CSA DESIGNATION MARKED IN THIS AREA, OPTIONAL



OBSOLETE	PHENOLIC COLOR: BLACK	204530-1
	DIALYL PHTHALETE COLOR: BLUE	204530-1
	INSERT MAT'L	PART NO

THIS DRAWING IS A CONTROLLED DOCUMENT.

DIMENSIONS: INCHES	TOLERANCES UNLESS OTHERWISE SPECIFIED:	DIN C.C.THOMAS 12-3-87	1-25-88
	0 PLC ± -	1 PLC ± -	2 PLC ± -
	3 PLC ± .005	4 PLC ± -	ANGLES ± 0'30"
MATERIAL SEE CALLOUTS	FINISH SEE CALLOUTS	WEIGHT	SCALE 4:1 SHEET 1 OF 1 REV P

APVD: F.C.BALLEW III
 PRODUCT SPEC: AMPLIMITE RCPT. FOR SOCKET CONTACTS HI-DENSITY D CONNECTOR SIZE 4, 62 POS., SERIES 90 WITH FLOAT BUSHINGS
 APPLICATION SPEC: SIZE 4, 62 POS., SERIES 90 WITH FLOAT BUSHINGS
 CUSTOMER DRAWING: A1 00779 C=204530

单击下面可查看定价，库存，交付和生命周期等信息

[>>TE Connectivity\(泰科\)](#)