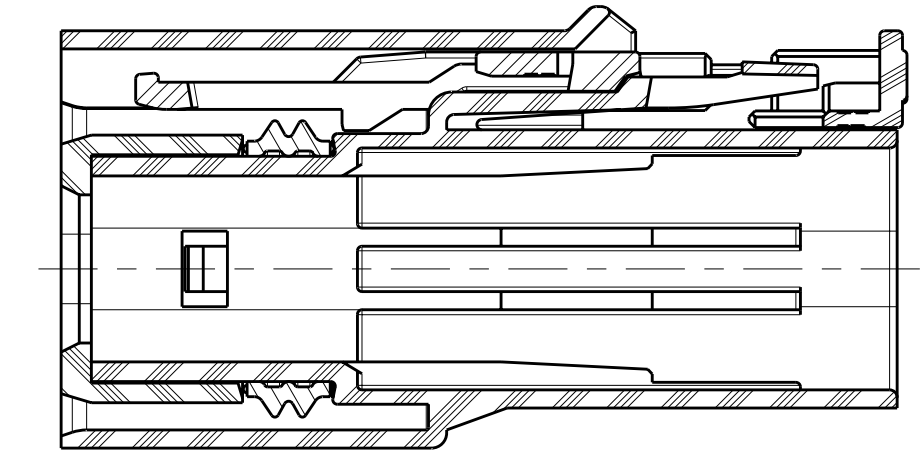
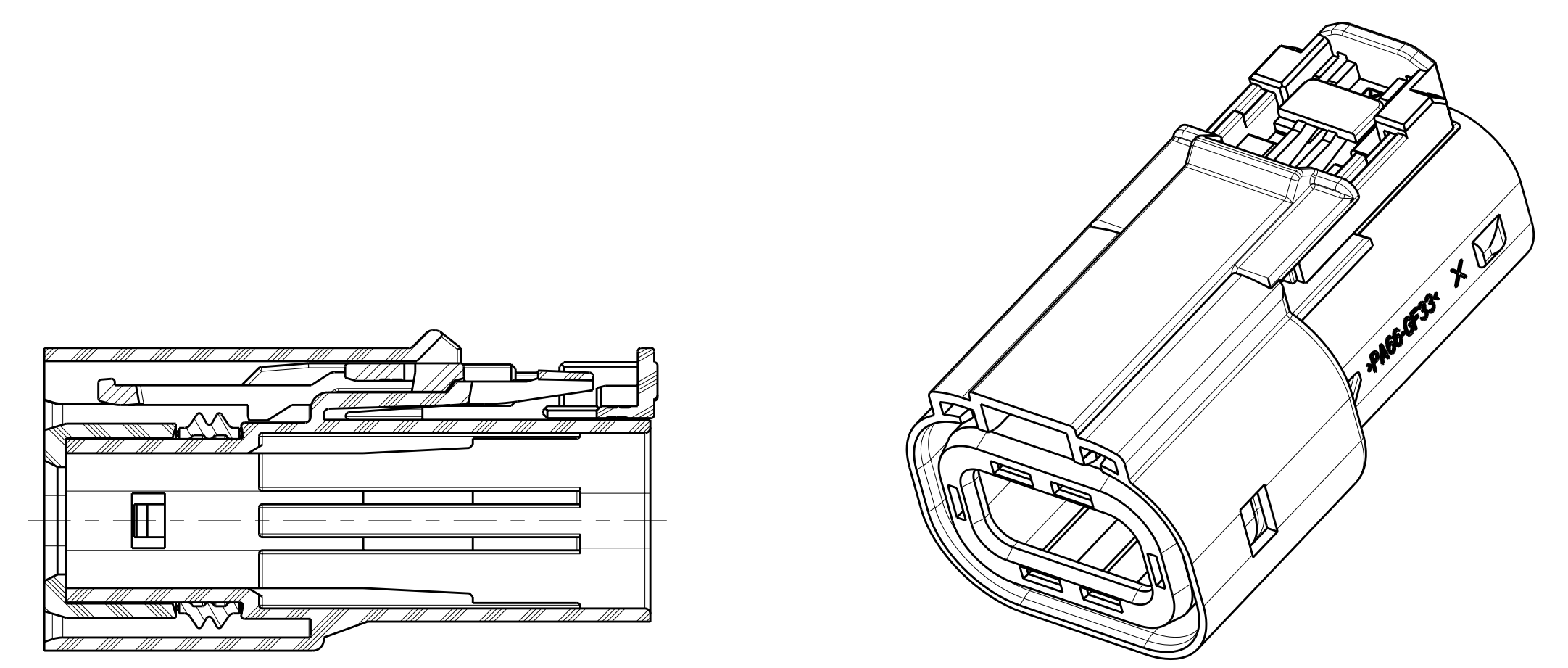
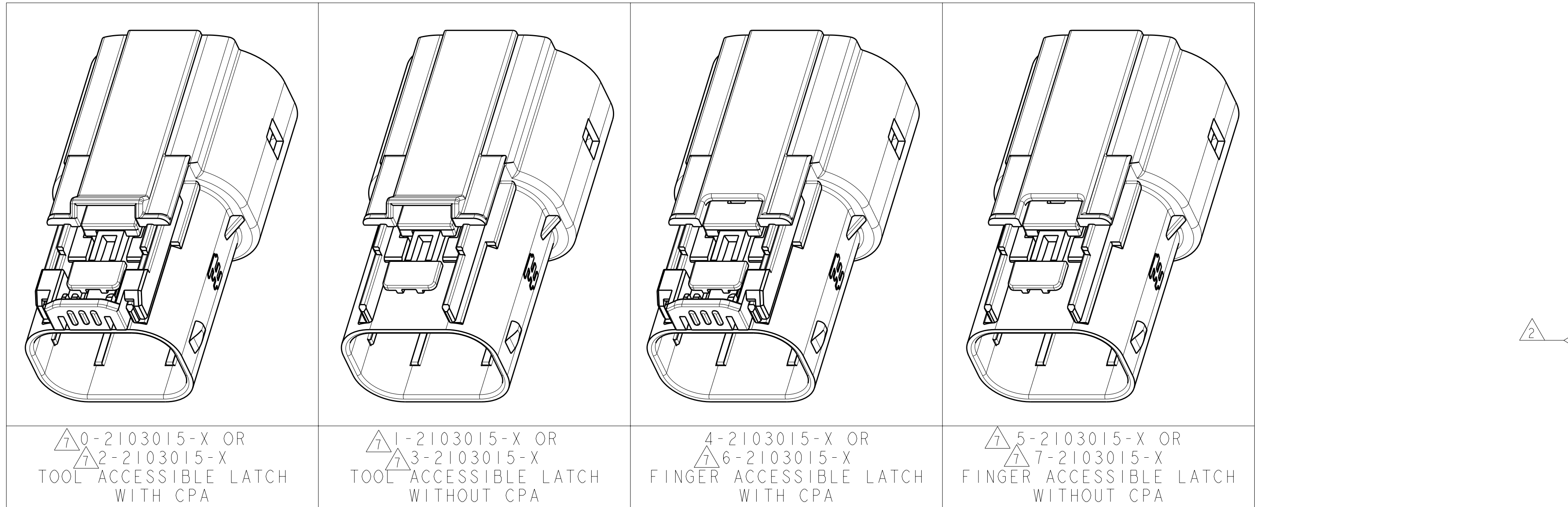
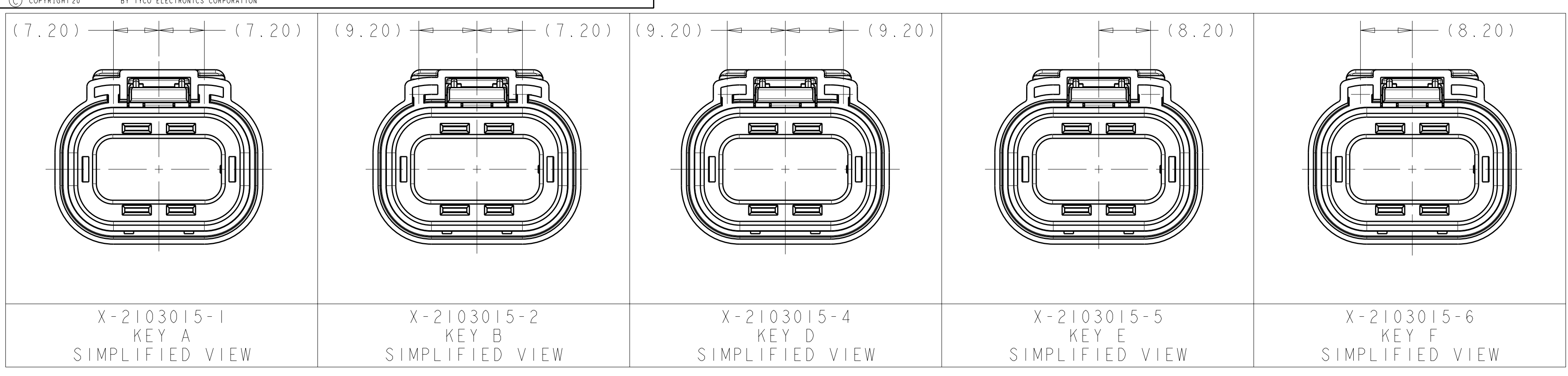
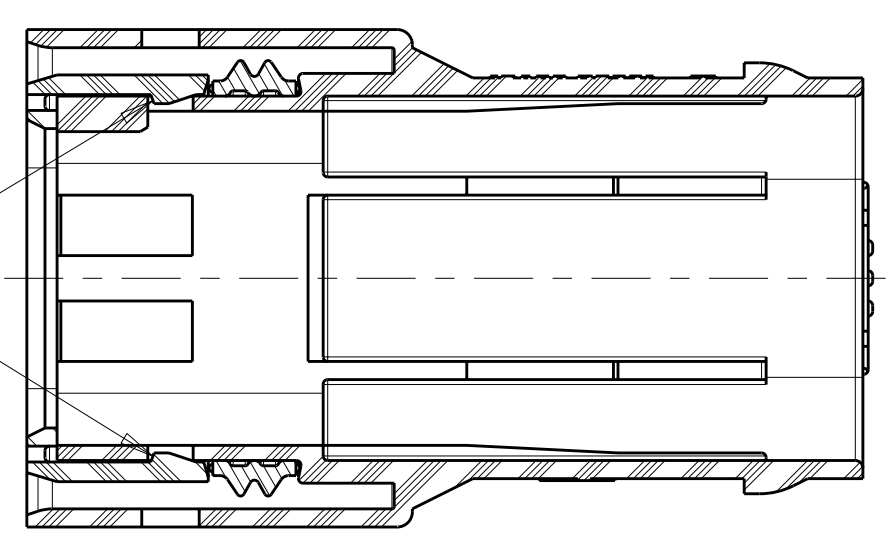


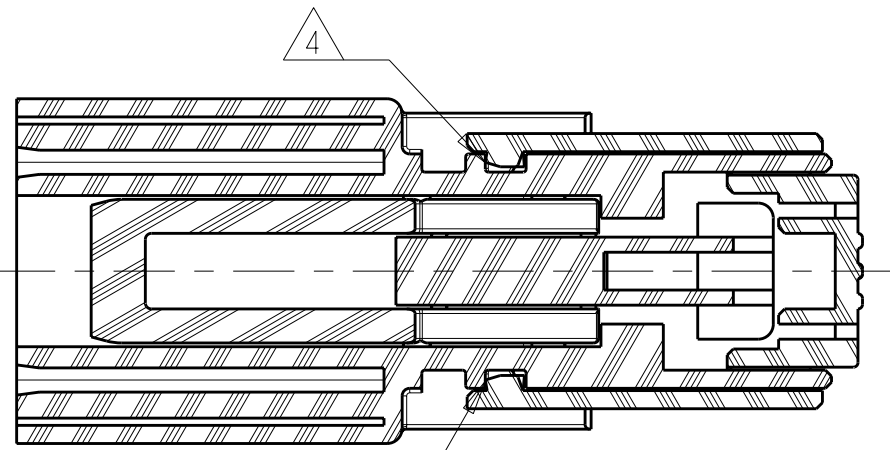
LOC	DIST	REV	DESCRIPTION	DATE	OWN	APVD
HV	00	A	ECO-11-024207	02DEC2011	DR	DR



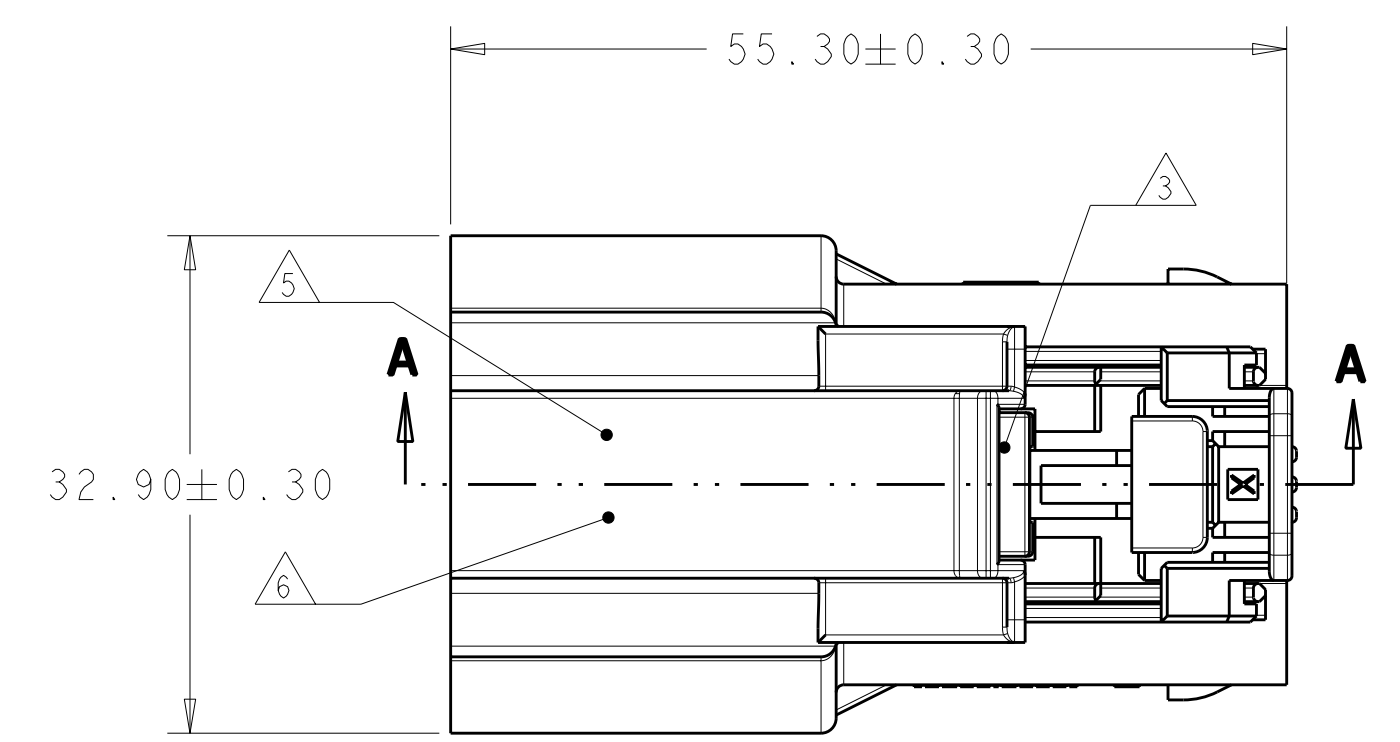
SECTION A-A



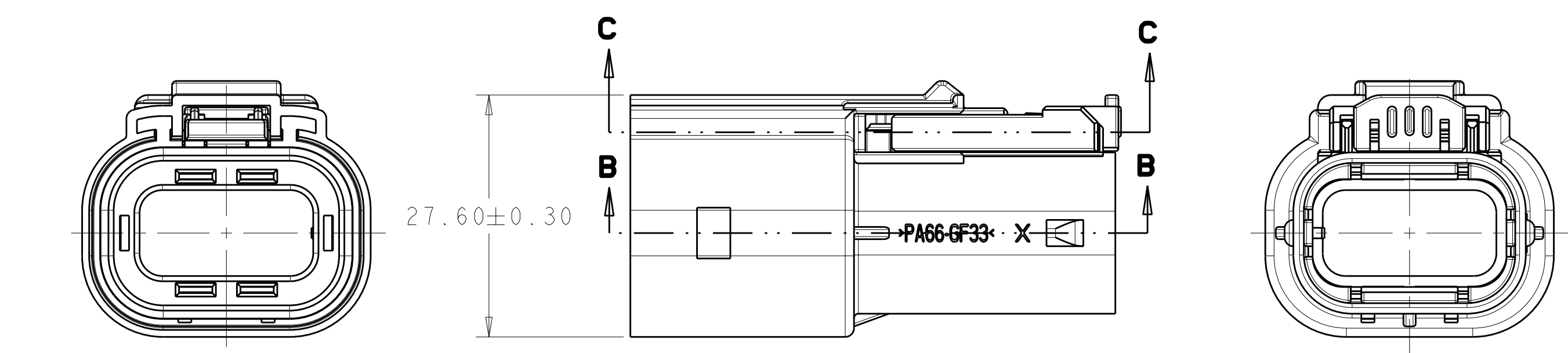
SECTION B-B



SECTION C-C



2103015-1 SHOWN



1. CONNECTOR MUST BE FREE OF ANY MECHANICAL DEFECTS WHICH COULD NEGATIVELY AFFECT FIT, FUNCTION, OR PERFORMANCE
2. PERIPHERAL SEAL RETAINER MUST BE FULLY LOCKED IN TWO LOCATIONS INTO OUTER HOUSING
3. FLOATING LATCH MUST INSTALLED AS SHOWN
4. ON APPLICABLE ASSEMBLIES CPA MUST INSTALLED IN PRE-STAGE POSITION AS SHOWN
5. JULIAN DATE CODE IN THIS LOCATION AT ASSEMBLY
6. TE PART NUMBER IN THIS LOCATION AT ASSEMBLY
7. PRELIMINARY PART—NOT RELEASED FOR PRODUCTION

DESCRIPTION	INDEX CODE	REV	PART NO
PLUG SUB-ASSEMBLY, HVA280-2PHM, FINGER ACCESSIBLE, WITHOUT CPA, >FVMQ< SEAL	F	4	7-2103015-6
	E	4	7-2103015-5
	D	4	7-2103015-4
	B	4	7-2103015-2
	A	4	7-2103015-1
	PLUG SUB-ASSEMBLY, HVA280-2PHM, FINGER ACCESSIBLE, WITH CPA, >FVMQ< SEAL	F	4
E		4	6-2103015-5
D		4	6-2103015-4
B		4	6-2103015-2
A		4	6-2103015-1
PLUG SUB-ASSEMBLY, HVA280-2PHM, FINGER ACCESSIBLE, WITHOUT CPA, >VMQ< SEAL		F	4
	E	4	5-2103015-5
	D	4	5-2103015-4
	B	4	5-2103015-2
	A	4	5-2103015-1
PLUG SUB-ASSEMBLY, HVA280-2PHM, FINGER ACCESSIBLE, WITH CPA, >VMQ< SEAL	F	A	4-2103015-6
	E	A	4-2103015-5
	D	A	4-2103015-4
	B	A	4-2103015-2
	A	A	4-2103015-1
PLUG SUB-ASSEMBLY, HVA280-2PHM, TOOL ACCESSIBLE, WITHOUT CPA, >FVMQ< SEAL	F	4	3-2103015-6
	E	4	3-2103015-5
	D	4	3-2103015-4
	B	4	3-2103015-2
	A	4	3-2103015-1
PLUG SUB-ASSEMBLY, HVA280-2PHM, TOOL ACCESSIBLE, WITH CPA, >FVMQ< SEAL	F	4	2-2103015-6
	E	4	2-2103015-5
	D	4	2-2103015-4
	B	4	2-2103015-2
	A	4	2-2103015-1
PLUG SUB-ASSEMBLY, HVA280-2PHM, TOOL ACCESSIBLE, WITHOUT CPA, >VMQ< SEAL	F	4	1-2103015-6
	E	4	1-2103015-5
	D	4	1-2103015-4
	B	4	1-2103015-2
	A	4	1-2103015-1
PLUG SUB-ASSEMBLY, HVA280-2PHM, TOOL ACCESSIBLE, WITH CPA, >VMQ< SEAL	F	4	2103015-6
	E	4	2103015-5
	D	4	2103015-4
	B	4	2103015-2
	A	4	2103015-1

THIS DRAWING IS A CONTROLLED DOCUMENT.

DIMENSIONS:	TOLERANCES UNLESS OTHERWISE SPECIFIED:	DATE	22MAR2011
mm	0 PLC ±0.2	CHK	D. RHEIN
	1 PLC ±0.10	APVD	ROLEWITZ
	2 PLC ±	PRODUCT SPEC	
	3 PLC ±	APPLICATION SPEC	
	4 PLC ±	WEIGHT	15.7 g
	ANGLES ±	CUSTOMER DRAWING	
MATERIAL SEE TABLE	FINISH	SCALE	2:1

TE Connectivity  
 PLUG SUB-ASSEMBLY, HVA280-2PHM  
 SIZE CAGE CODE DRAWING NO RESTRICTED TO  
 A100779C=2103015 SHEET 1 OF 1 REV A

单击下面可查看定价，库存，交付和生命周期等信息

[>>TE Connectivity\(泰科\)](#)