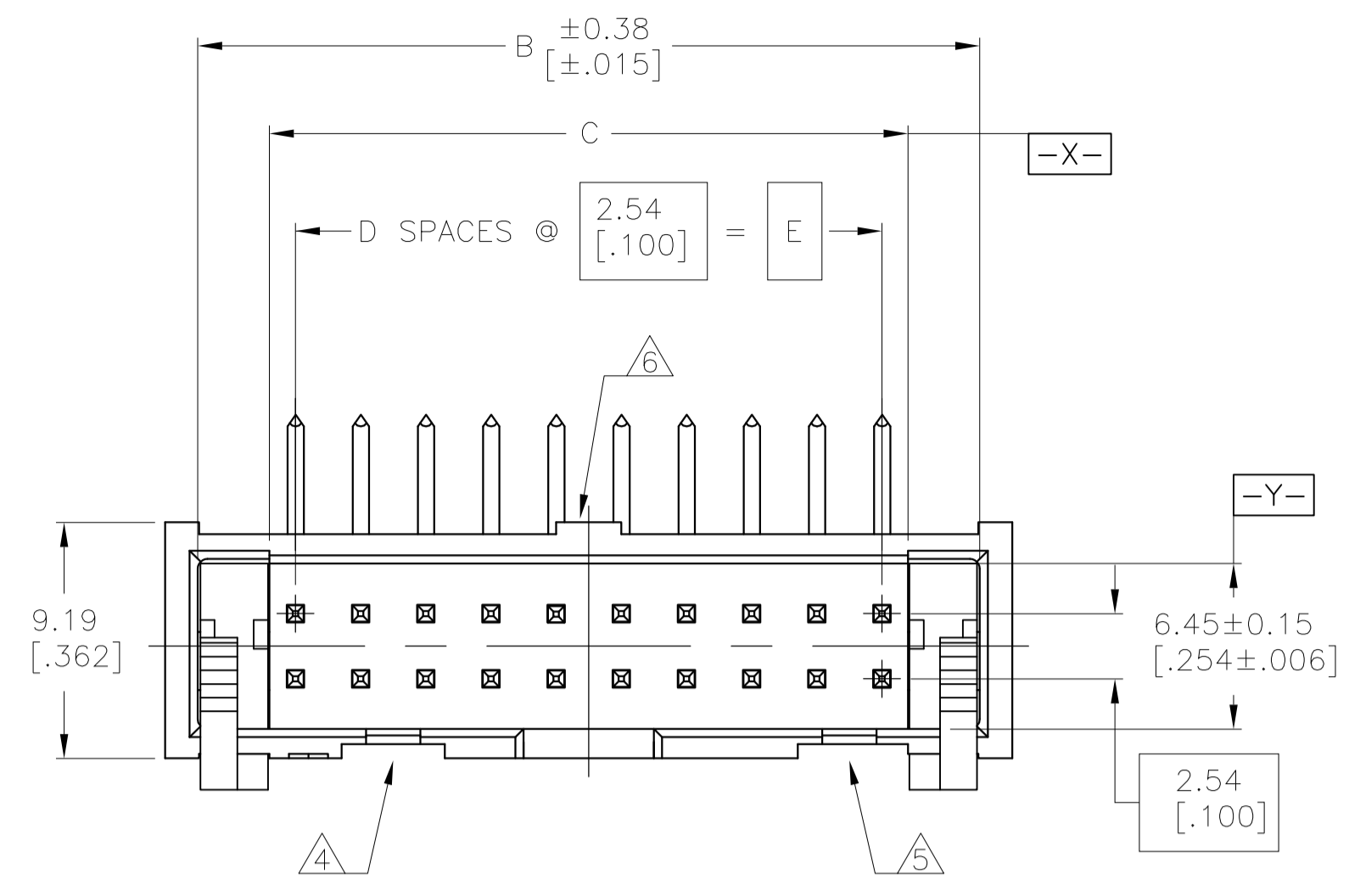
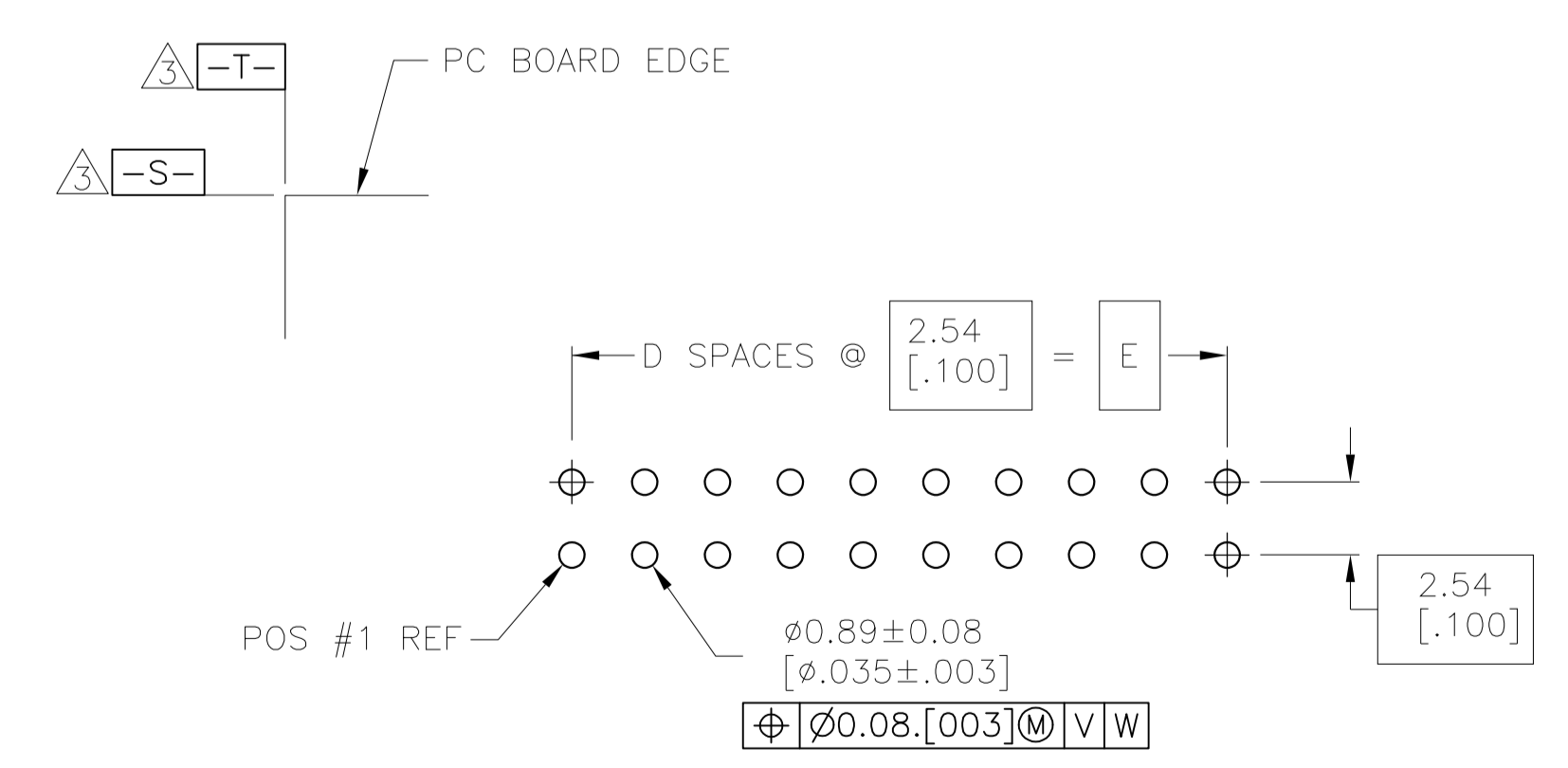
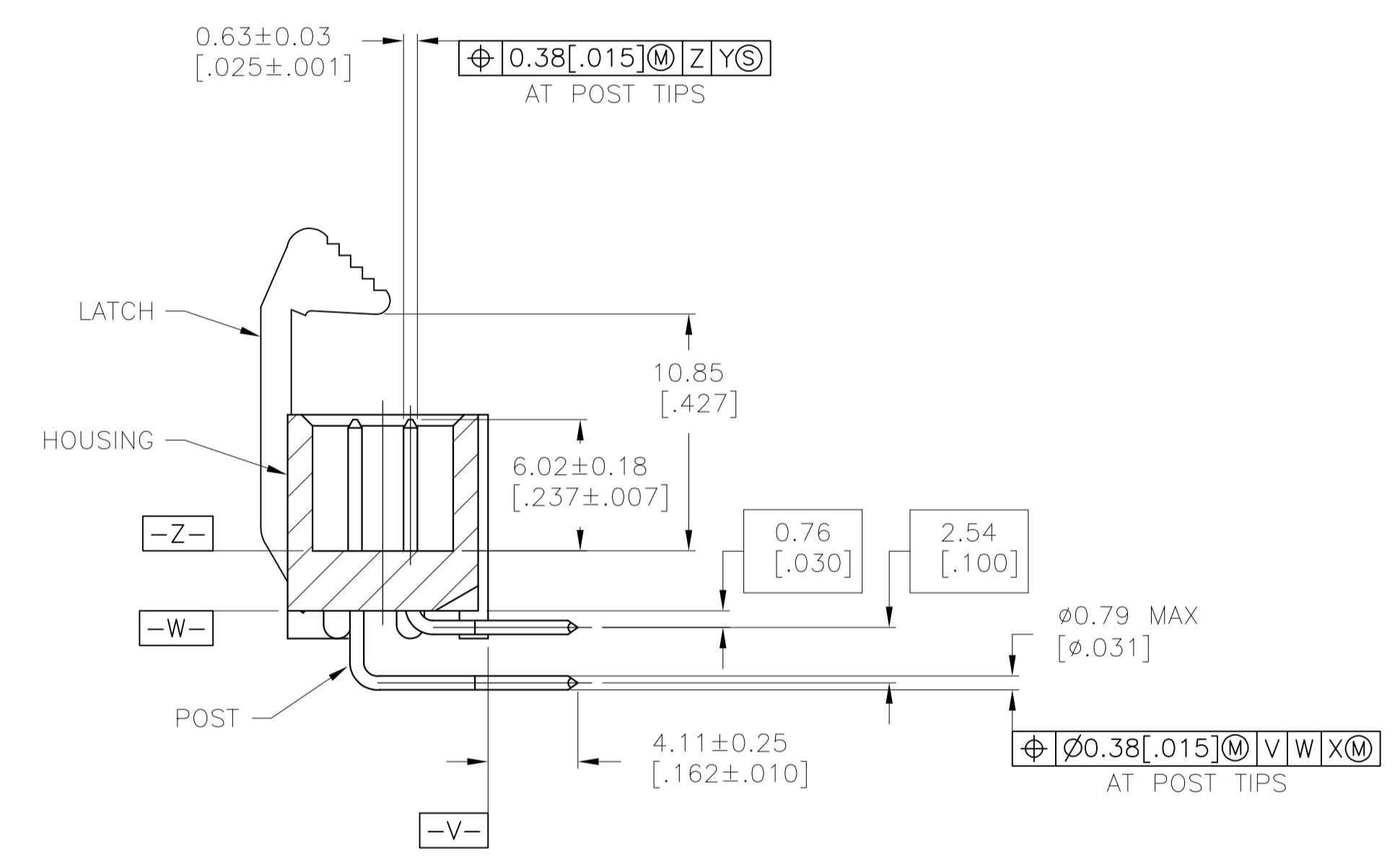
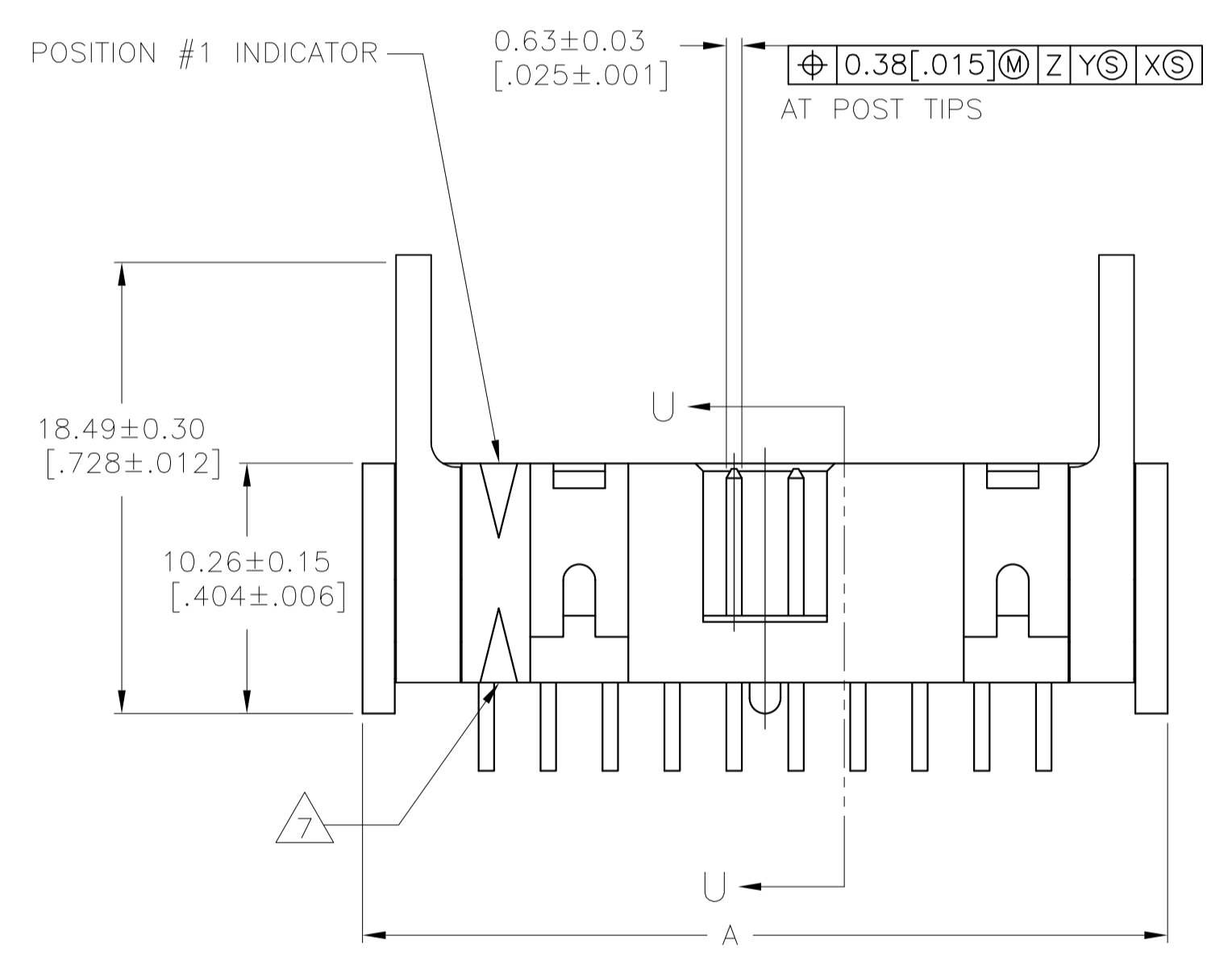


LOC		DIST		REVISIONS				
GP	00	REV	DATE	BY	CHK	APPV		
G		REVISED PER ECO-09-002944	19MAR2009	CR	SB			



- ⚠ HOUSING: PBT, UL94V-0, COLOR: BLUE.
POSTS: PHOSPHOR BRONZE.
LATCHES: ZINC ALLOY.
- ⚠ POSTS: GOLD FLASH OVER PALLADIUM-NICKEL PLATE, $0.76\mu\text{m}$ [$.000030$] MIN TOTAL ON MATING AREA, $2.54\mu\text{m}$ [$.000100$] MIN TIN PLATE ON SOLDER-TAIL, ALL OVER $1.27\mu\text{m}$ [$.000050$] MIN NICKEL UNDERPLATE ON ENTIRE POST.
OR
 $0.76\mu\text{m}$ [$.000030$] MIN GOLD PLATE ON MATING AREA, $2.54\mu\text{m}$ [$.000100$] MIN TIN PLATE ON THE SOLDER-TAIL, $1.27\mu\text{m}$ [$.000050$] MIN NICKEL UNDERPLATE ON THE ENTIRE POST.
LATCHES: BLACK NICKEL OVER COPPER.
- ⚠ DATUMS S & T TO BE ESTABLISHED BY CUSTOMER.
- ⚠ NO KEYING SLOT ON THIS END FOR 8, 10 & 14 POSITION ASSEMBLIES.
- ⚠ NO KEYING SLOT ON THIS END FOR 8 & 10 POSITION ASSEMBLIES.
- ⚠ NO STANDOFF FOR 8, 10, 14 & 16 POSITION ASSEMBLIES.
- ⚠ ALTERNATE LOCATION/ORIENTATION FOR POSITION #1 INDICATOR.



RECOMMENDED PC BOARD LAYOUT
(VIEWED FROM CONNECTOR SIDE)

	E	D	C	B	A	NO OF POS	PART NUMBER
OBSOLETE	60.96 [2.400]	24	62.99 [2.480]	68.48 [2.696]	71.12 [2.800]	50	3-1761714-5
	40.64 [1.600]	16	42.67 [1.680]	48.16 [1.896]	50.80 [2.000]	34	3-1761714-1
	30.48 [1.200]	12	32.51 [1.280]	38.00 [1.496]	40.64 [1.600]	26	2-1761714-9
	27.94 [1.100]	11	29.97 [1.180]	35.46 [1.396]	38.10 [1.500]	24	2-1761714-8
OBSOLETE	22.86 [.900]	9	24.89 [.980]	30.38 [1.196]	33.02 [1.300]	20	2-1761714-7
	17.78 [.700]	7	19.81 [.780]	25.30 [.996]	27.94 [1.100]	16	2-1761714-6
OBSOLETE	15.24 [.600]	6	17.27 [.680]	22.76 [.896]	25.40 [1.000]	14	2-1761714-5
	10.16 [.400]	4	12.19 [.480]	17.68 [.696]	20.32 [.800]	10	2-1761714-3
	7.62 [.300]	3	9.65 [.380]	15.14 [.596]	17.78 [.700]	8	2-1761714-2

THIS DRAWING IS A CONTROLLED DOCUMENT.

DIMENSIONS: mm [INCHES]	TOLERANCES UNLESS OTHERWISE SPECIFIED:	APPROVED: M. WALSLEY	NAME: M. WALSLEY
0 PLC ± -	1 PLC ± -	2 PLC ± -	3 PLC ± 0.1% (.005)
4 PLC ± -	ANGLES ± -	APPLICATION SPEC	SIZE: A1
MATERIAL	FINISH	WEIGHT	SCALE: 4:1

Customer Drawing: 00779-1761714

Scale: 4:1, Sheet: 1 of 1, Rev: G

单击下面可查看定价，库存，交付和生命周期等信息

[>>TE Connectivity\(泰科\)](#)