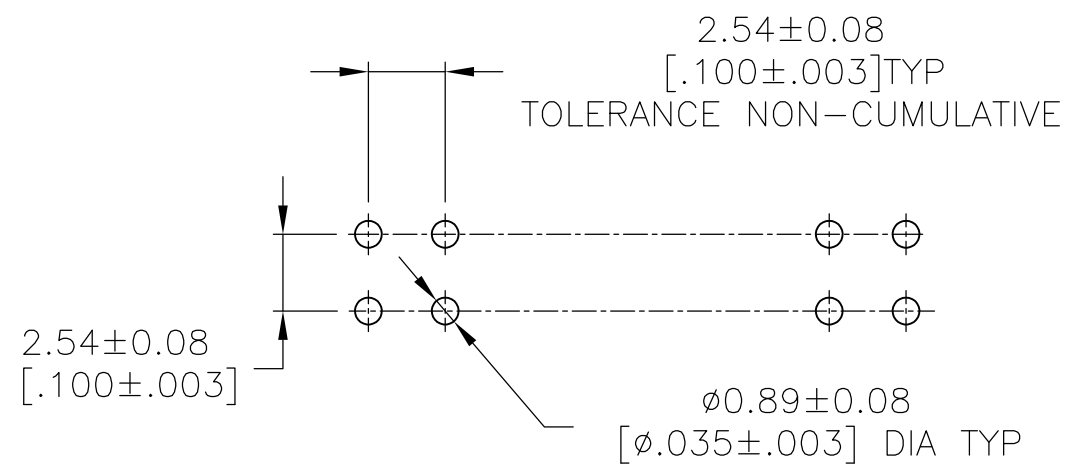
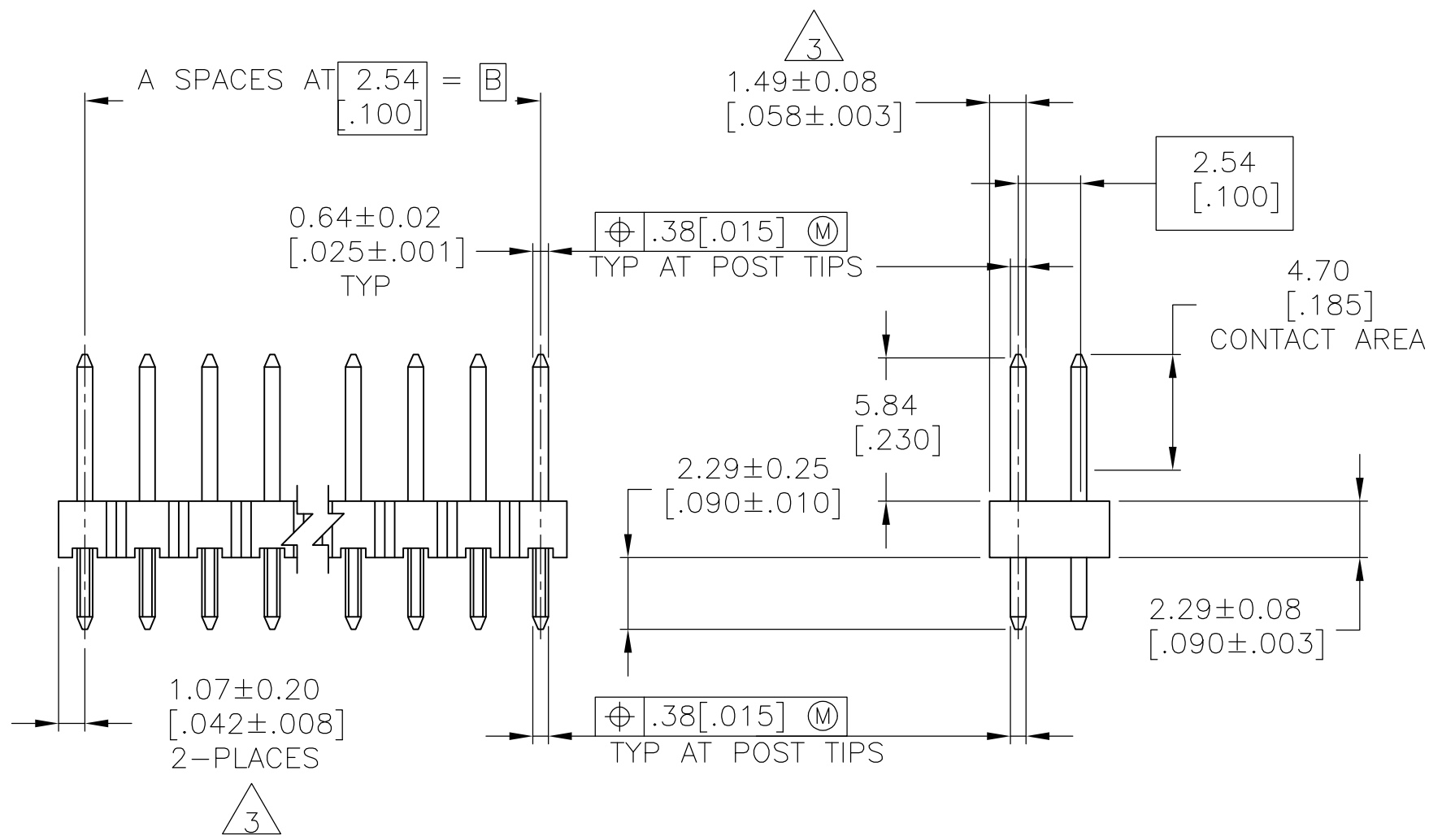
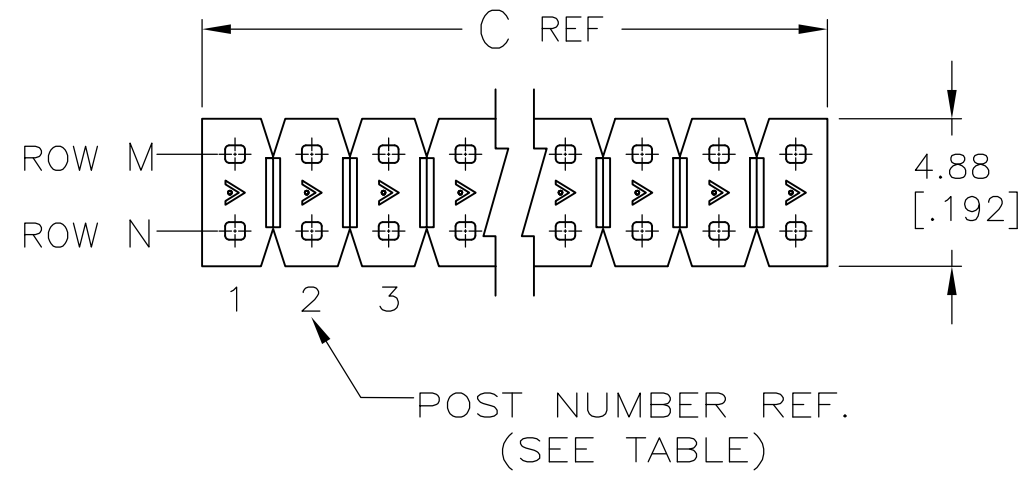


THIS DRAWING IS UNPUBLISHED. RELEASED FOR PUBLICATION
 © COPYRIGHT - By - ALL RIGHTS RESERVED.

LOC		DIST		REVISIONS					
P	LTR	DESCRIPTION			DATE	DWN	APVD		
		H		REVISED PER ECO-14-000066	30JUN2014	NK	MM		



RECOMMENDED HOLE LAYOUT

- 1 ASSEMBLY MAY BE BROKEN TO THE DESIRED NUMBER OF POSITIONS
- 2 TRUE POSITION TOLERANCE OF THE POSTS TIPS APPLIES WHEN THE HEADER IS HELD FLAT AGAINST THE PRINTED CIRCUIT BOARD.
- 3 THE NOTED DIMENSION APPLIES AT THE INTERSECTION OF THE POST AND HOUSING.
- 4 FINISH: 0.000127 [.000005] GOLD ON CONTACT AREA, 0.00254-0.00508 [.000100-.000200] MATTE TIN-LEAD ON SOLDER TAIL ALL OVER 0.00127 [.000050] NICKEL.
- 5 FINISH: 0.000127 [.000005] GOLD ON CONTACT AREA, 0.00254-0.00508 [.000100-.000200] MATTE TIN ON SOLDER TAIL ALL OVER 0.00127 [.000050] NICKEL.
- 6 HIGH TEMPERATURE CONFIGURATION.

REMARKS	PLATING	ROW N	ROW M	C	B	A	NO.OF ACTIVE POSN.	NO. OF POSN.	ASSEMBLY PART NUMBER
△6	△5	3	NONE	1.684	1.600	16	33	34	5-146223-1
	△4	3	NONE	1.684	1.600	16	33	34	146223-1
		POST OMITTED							

THIS DRAWING IS A CONTROLLED DOCUMENT.

DWN: T. HOFFMAN 6-3-95
 CHK: G.DUBNICZKI 25-3-95
 APVD: G.DUBNICZKI 25-3-95

TE Connectivity

NAME: G.DUBNICZKI
 PRODUCT SPEC: -
 APPLICATION SPEC: -

SIZE: A2 CAGE CODE: 00779 DRAWING NO: 146223 RESTRICTED TO: -

MATERIAL: HOUSING: FLAME RETARDANT THERMOPLASTIC, COLOR: BLACK, POSTS: COPPER ALLOY
 FINISH: SEE TABLE

WEIGHT: -
 CUSTOMER DRAWING

SCALE: 4:1 SHEET: 1 OF 1 REV: H

单击下面可查看定价，库存，交付和生命周期等信息

[>>TE Connectivity\(泰科\)](#)