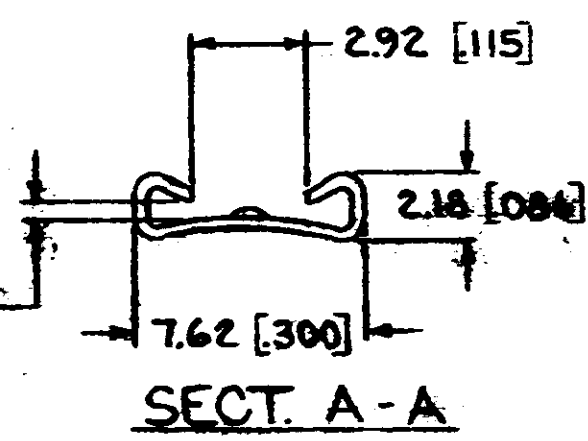
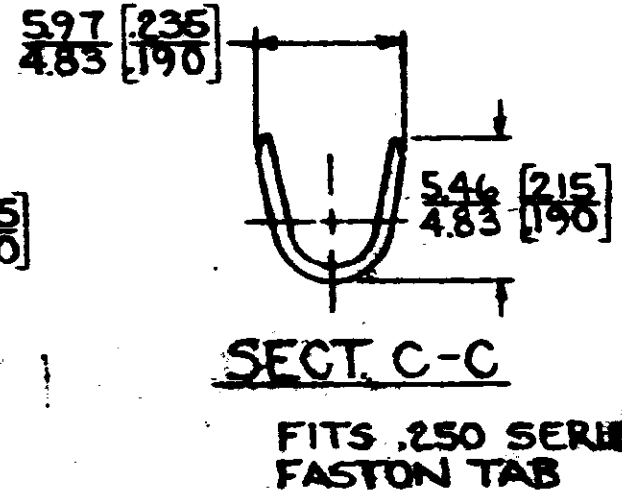
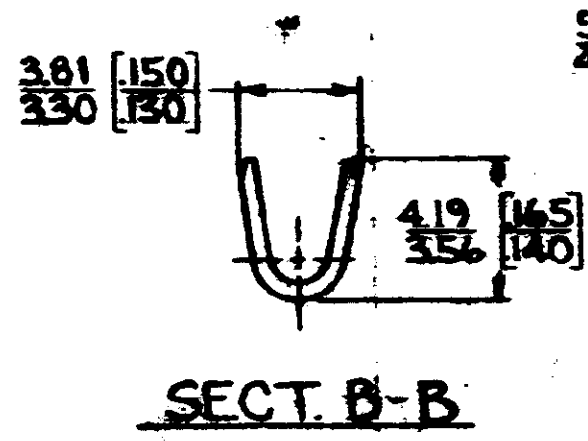
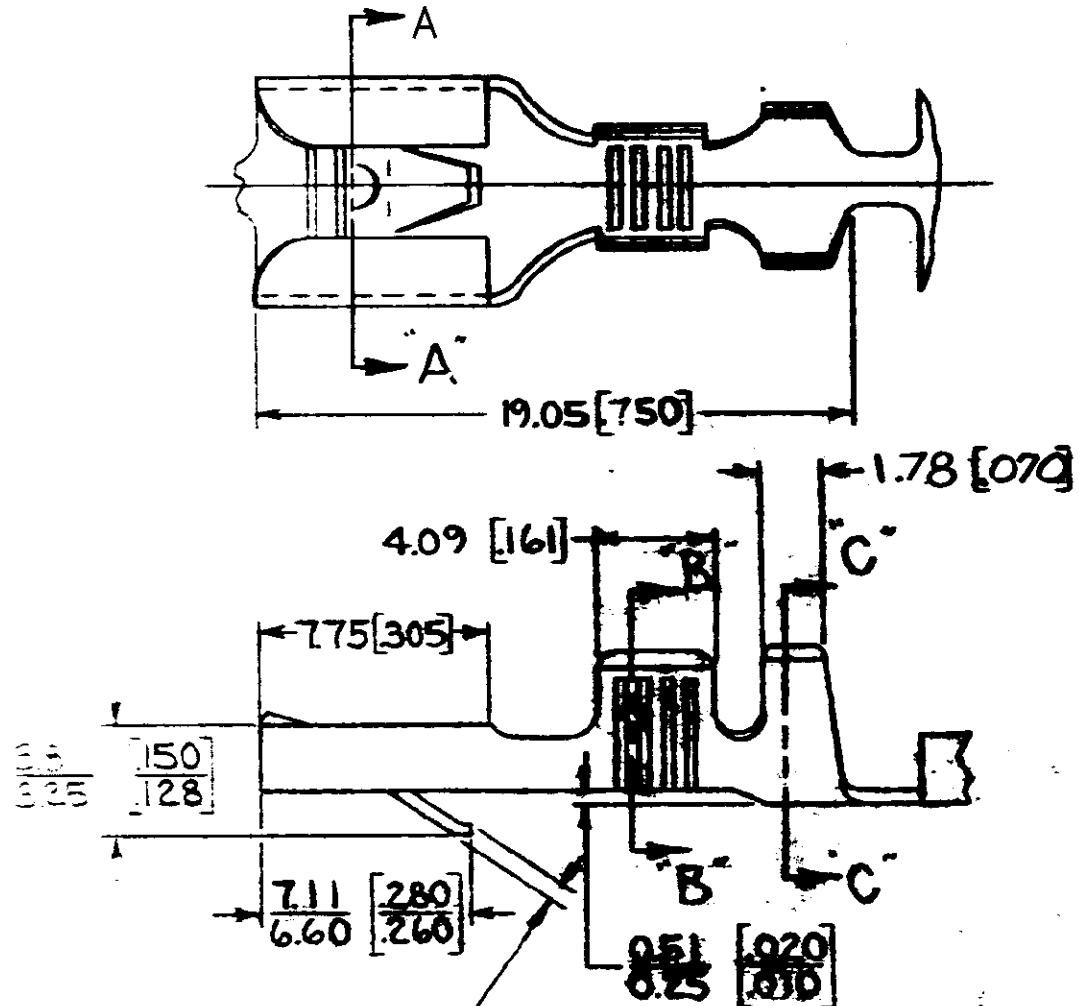


THIS DRAWING IS UNPUBLISHED. RELEASED FOR PUBLICATION. 19  
 COPYRIGHT 1981 BY AMP INCORPORATED, HARRISBURG, PA. ALL INTERNATIONAL RIGHTS RESERVED. AMP PRODUCTS MAY BE COVERED BY U.S. AND FOREIGN PATENTS AND/OR PATENTS PENDING.

REVISIONS					
P/F	ZONE	LTR	DESCRIPTION	DATE	APPROVED
		B	REVISED PER ECR-13-005733	30AUG13	PD



0.04 [025] MAX. ALLOWED IN DIRECTION OF CONTACT ONLY.

NOTE:  
 CONTINUOUS STRIP ON REELS.  
 DIMS. IN BRACKETS ARE IN INCHES.

FIN				63418-2
NONE	0.81 <sup>+0.05</sup> [032 <sup>+0.001</sup> ]	08-20 <sup>mm</sup> [18-14] OR (2) 0.8 <sup>mm</sup> [18]	2.29-4.45 [090-.175] OR 2.5 [100]	63418-1
FINISH	TAB THK.	WIRE RANGE	INSULATION RANGE	PART NO.

UNLESS OTHERWISE SPECIFIED DIMENSIONS ARE IN MILLIMETERS. TOLERANCES ON: DECIMALS ±0.30 [015] ANGLES ±	CONTRACT NO	TE Connectivity	
	DP <i>JRP</i> 1-15-86 CHK <i>G Yuter</i> 1/20/86 APD <i>C. Meyer</i> 1-20-86 APPR <i>G Kudo</i> 1-20-86 DESN APPD OTHER APPD		
	MATERIAL	NAME .250 SERIES FASTON FASTON RECEPTACLE	
	FINISH	SIZE <b>B</b>	PSCM NO <b>00779</b>
SEE TABLE	SCALE	NTS	SHEET 1 of 1

CUSTOMER DRAWING

单击下面可查看定价，库存，交付和生命周期等信息

[>>TE Connectivity\(泰科\)](#)