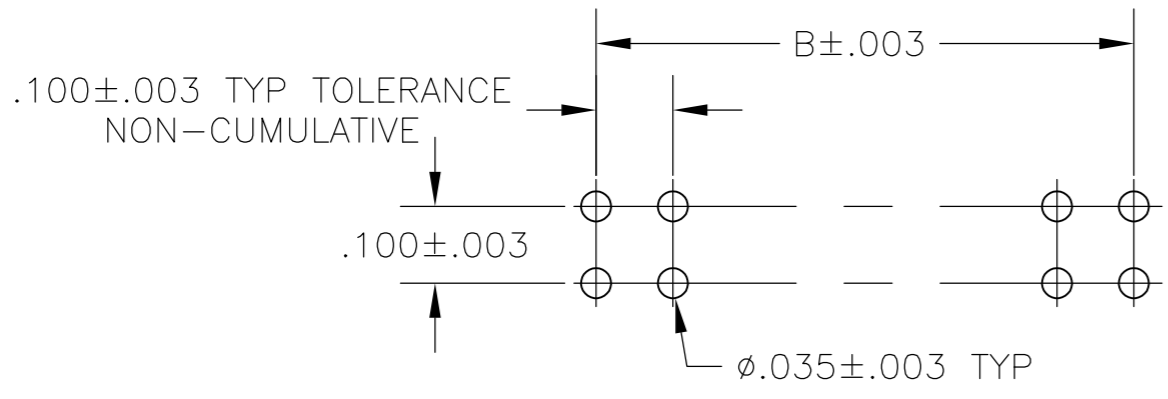
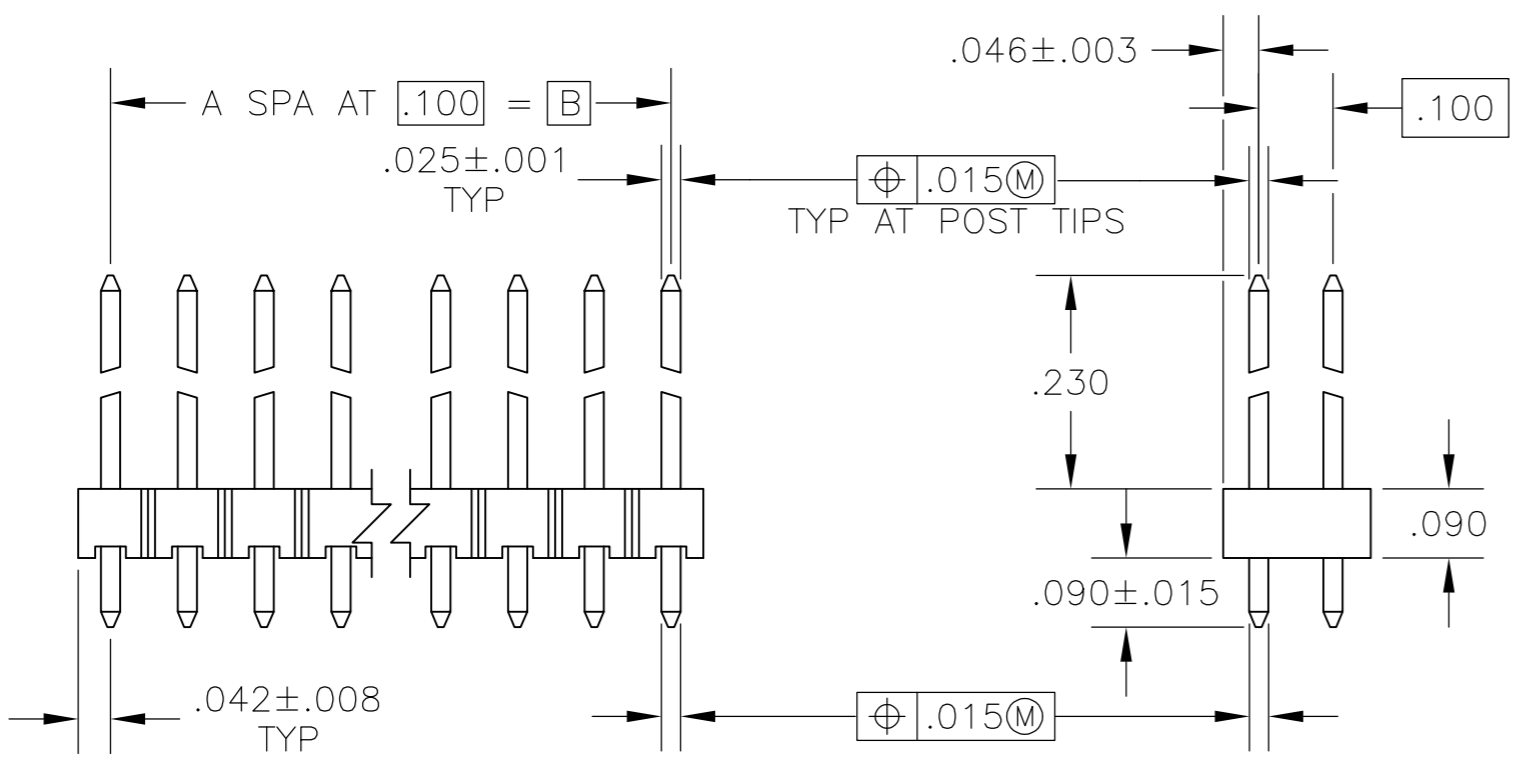
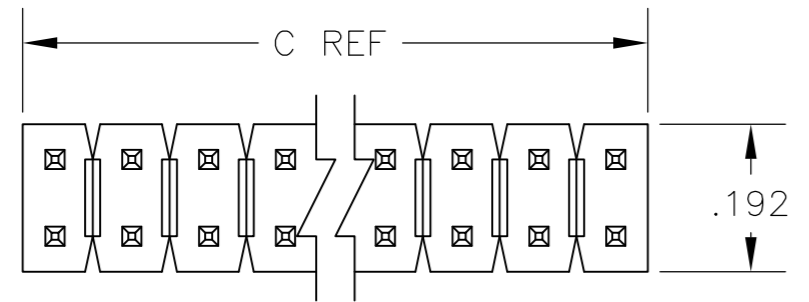


THIS DRAWING IS UNPUBLISHED. RELEASED FOR PUBLICATION
 © COPYRIGHT - By - ALL RIGHTS RESERVED.

LOC	DIST	REVISIONS					
AD	00	P	LTR	DESCRIPTION	DATE	DWN	APVD
		F2		REVISED PER ECO-11-004820	11MAR11	RK	HMR



RECOMMENDED HOLE LAYOUT

- 1 ASSEMBLIES MAY BE BROKEN TO THE DESIRED NUMBER OF POSITIONS
- 2 TRUE POSITION TOLERANCE OF THE POST TIPS APPLIES WHEN THE HEADERS ARE HELD FLAT AGAINST THE PRINTED CIRCUIT BOARD
- 3 .000100-.000200 MATTE TIN-LEAD OVER .000050 NICKEL ENTIRE POST
- 4 OBSOLETE PARTS: OBSOLETE CIS STREAMLINING PER D.RENAUD/D.SINISI

<div style="border: 1px solid black; padding: 5px; display: inline-block;"> <p style="font-size: 2em; margin: 0;">4</p> </div> <div style="writing-mode: vertical-rl; transform: rotate(180deg); font-weight: bold; font-size: 1.5em; margin: 5px 0;">OBSOLETE</div>	3.984	3.900	39	80	4-103777-0
	3.884	3.800	38	78	3- -9
	3.784	3.700	37	76	3- -8
	3.684	3.600	36	74	3- -7
	3.584	3.500	35	72	3- -6
	3.484	3.400	34	70	3- -5
	3.284	3.300	33	68	3- -4
	3.184	3.100	31	64	3- -2
	3.084	3.000	30	62	3- -1
	2.984	2.900	29	60	3- -0
	2.884	2.800	28	58	2- -9
	2.784	2.700	27	56	2- -8
	2.684	2.600	26	54	2- -7
	2.584	2.500	25	52	2- -6
	2.484	2.400	24	50	2- -5
	2.384	2.300	23	48	2- -4
	2.284	2.200	22	46	2- -3
	2.184	2.100	21	44	2- -2
	2.084	2.000	20	42	2- -1
	1.984	1.900	19	40	2- -0
1.884	1.800	18	38	1- -9	
1.784	1.700	17	36	1- -8	
1.684	1.600	16	34	1- -7	
1.584	1.500	15	32	1- -6	
1.484	1.400	14	30	1- -5	
1.384	1.300	13	28	1- -4	
1.284	1.200	12	26	1- -3	
1.184	1.100	11	24	1- -2	
1.084	1.000	10	22	1- -1	
.984	.900	9	20	1- -0	
.884	.800	8	18	-9	
.784	.700	7	16	-8	
.684	.600	6	14	-7	
.584	.500	5	12	-6	
.484	.400	4	10	-5	
.384	.300	3	8	-4	
.284	.200	2	6	-3	
.184	.100	1	4	-2	
.084	-	-	2	103777-1	
C	B	A	NO OF POS	ASSEMBLY PART NUMBER	

4 OBSOLETE

THIS DRAWING IS A CONTROLLED DOCUMENT.		DWN L. RINGLEY 7-25-85				
DIMENSIONS: INCHES		CHK R. ELICKER 7-25-85				
TOLERANCES UNLESS OTHERWISE SPECIFIED:		APVD R. ELICKER 7-25-85	ASSEMBLY, MOD II, HEADER, BREAKAWAY, DOUBLE ROW, .100X .100 C/L, WITH .025 SQUARE POSTS			
0 PLC ± - 1 PLC ± - 2 PLC ± - 3 PLC ± .005 4 PLC ± - ANGLES ± - FINISH		PRODUCT SPEC -				
MATERIAL: HOUSING, FLAME RETARDANT THERMOPLASTIC; COLOR-BLACK; POST: PHOSPHOR BRONZE		APPLICATION SPEC -	SIZE A2	CAGE CODE 00779	DRAWING NO C=103777	RESTRICTED TO -
POSTS 3		WEIGHT -	SCALE 4:1	SHEET 1 of 1	REV F2	
CUSTOMER DRAWING						

单击下面可查看定价，库存，交付和生命周期等信息

[>>TE Connectivity\(泰科\)](#)