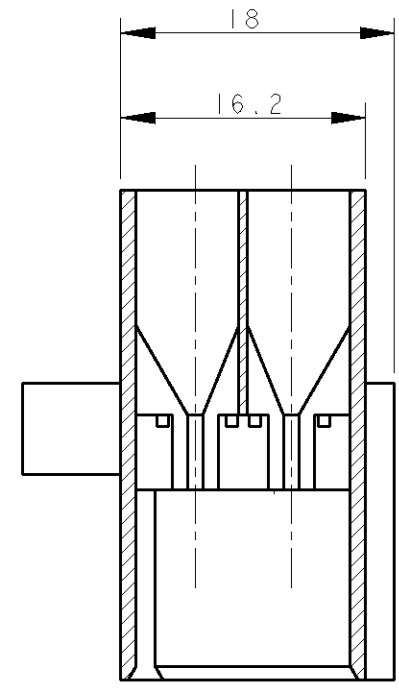
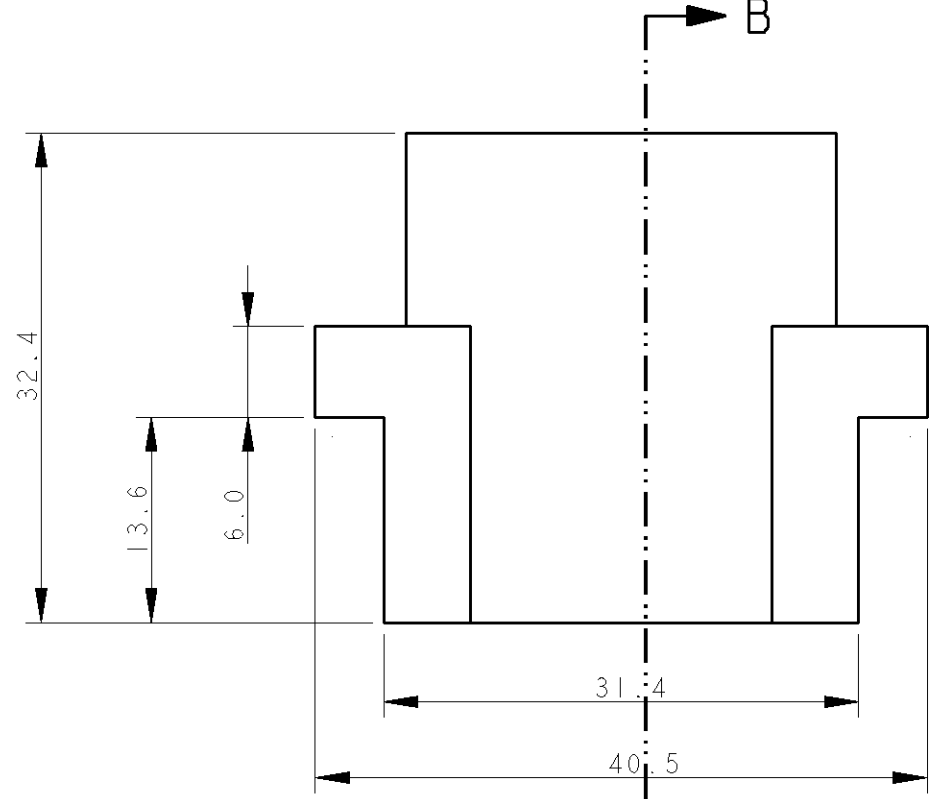
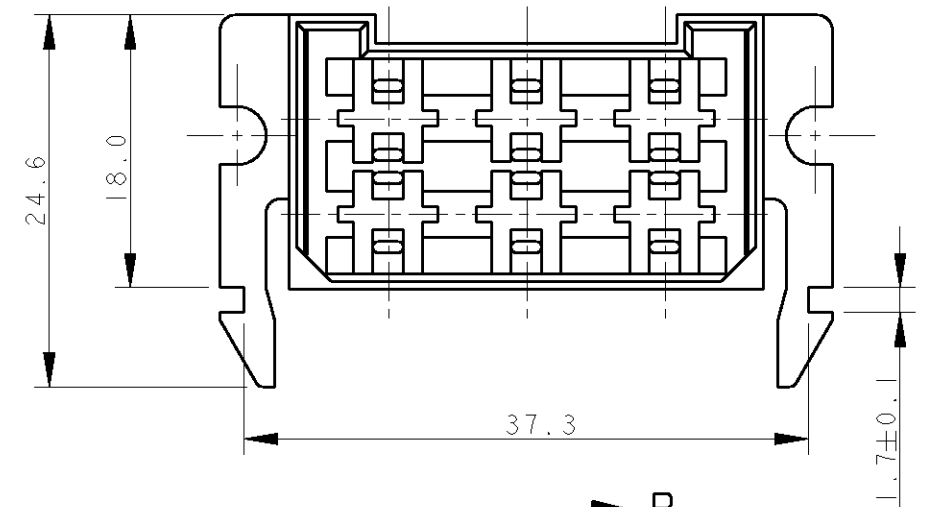


THIS DRAWING IS UNPUBLISHED. RELEASED FOR PUBLICATION .19  
 © COPYRIGHT 19 BY AMP INCORPORATED. ALL RIGHTS RESERVED.

| LOC | DIST | REVISIONS |     |                             |         |     |      |
|-----|------|-----------|-----|-----------------------------|---------|-----|------|
|     |      | P         | LTR | DESCRIPTION                 | DATE    | DWN | APVD |
|     | -    |           | AD3 | CORRECTED NOTE 1            | 10OCT06 | HY  | GT   |
|     |      |           | AD4 | REVISED PER - ECO-09-026346 | 26NOV09 | KK  | AEG  |



SECTION B - B

⚠ MATERIALE CON GWFI A 850°C  
 "GWFI AT 850°C MATERIAL"  
 ⚠ OBSOLETE PARTS: OBSOLETE CIS STREAMLINING  
 PER D.RENAUD/D.SINISI

OBSOLETE  
 ⚠ 2

| COLORE (COLOUR) | MATERIALE (MATERIAL)   | NUMERO DISEGNO AMP (AMP PART NUMBER) | REV. |
|-----------------|------------------------|--------------------------------------|------|
| NERO (BLACK)    | ⚠                      | 180948-9                             | AD   |
| NEUTRO (CLEAR)  | ⚠                      | 180948-8                             | AD   |
| GRIGIO (GRAY)   | POLYAMIDE 6.6 (PA 6.6) | <del>180948-7</del>                  | AD   |
| GIALLO (YELLOW) |                        | <del>180948-4</del>                  | AD   |
| ROSSO (RED)     |                        | 180948-1                             | AD   |
| NEUTRO (CLEAR)  |                        | 180948-0                             | AD   |

AMP TRADEMARK, OPTIONAL POSITION

(\*) TRADEMARK OF AMP INCORPORATED

|                                                                                                                                                                                              |                                                                                                                                                   |                                                                                                                                                                |                                                                                            |
|----------------------------------------------------------------------------------------------------------------------------------------------------------------------------------------------|---------------------------------------------------------------------------------------------------------------------------------------------------|----------------------------------------------------------------------------------------------------------------------------------------------------------------|--------------------------------------------------------------------------------------------|
| <small>THIS DRAWING IS A CONTROLLED DOCUMENT FOR AMP INCORPORATED. IT IS SUBJECT TO CHANGE AND THE CONTROLLING ENGINEERING ORGANIZATION SHOULD BE CONTACTED FOR THE LATEST REVISION.</small> |                                                                                                                                                   | DWN R. FABRIS 16APR99<br>CHK C. TARTARI<br>APVD -<br>PRODUCT SPEC 108-20020<br>APPLICATION SPEC -<br>WEIGHT -                                                  | <b>AMP</b> AMP Italia S.p.A.<br>C.so F.lli Cervi 15 Collegno (TO)                          |
| DIMENSIONS: mm<br>                                                                                                                                                                           | TOLERANCES UNLESS OTHERWISE SPECIFIED:<br>0 PLC ±<br>1 PLC ±0.4<br>2 PLC ±<br>3 PLC ±<br>4 PLC ±<br>ANGLES ±0.2<br>MATERIAL SEE TABLE<br>FINISH - | NAME FASTIN-FASTON, .250" Sr.<br>CONNETTORE PORTA MASCHI A 6 VIE<br>con lancette di aggancio<br>(6 WAY FASTIN-FASTON TAB HOUSING WITH LOCKING EARS, .250" SR.) | SIZE A3<br>CAGE CODE 00779<br>DRAWING NO. C-180948<br>SCALE 2:1<br>SHEET 1 OF 2<br>REV AD4 |
|                                                                                                                                                                                              |                                                                                                                                                   | CUSTOMER DRAWING                                                                                                                                               |                                                                                            |

THIS DRAWING IS UNPUBLISHED.

RELEASED FOR PUBLICATION .19

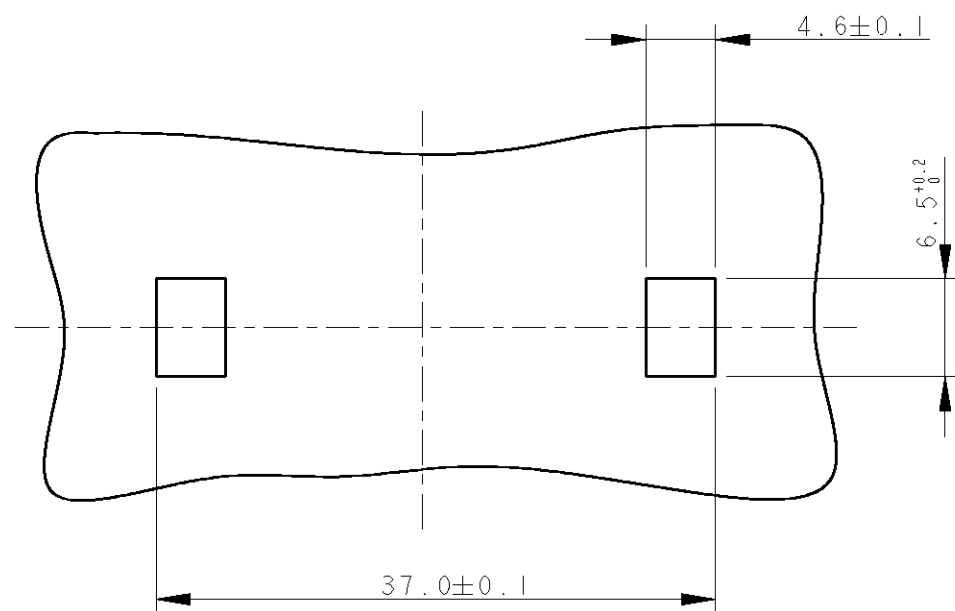
.19

© COPYRIGHT 19

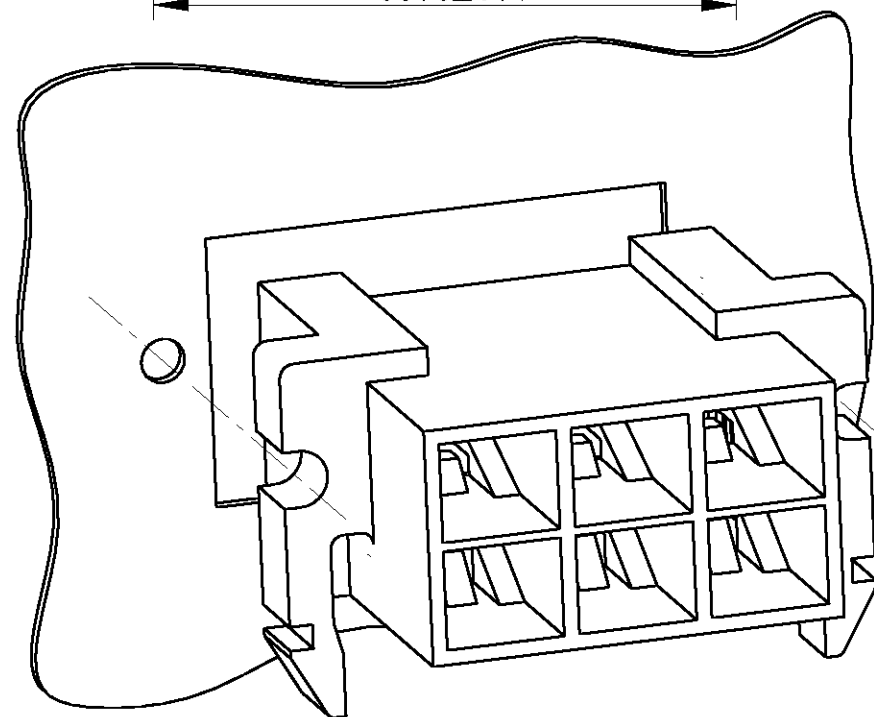
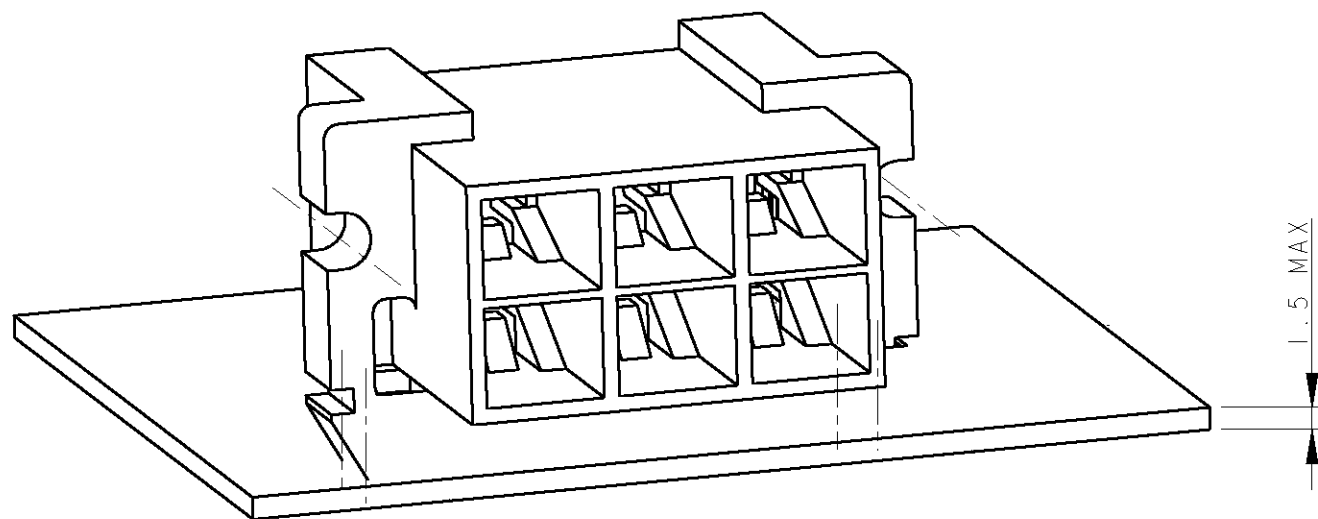
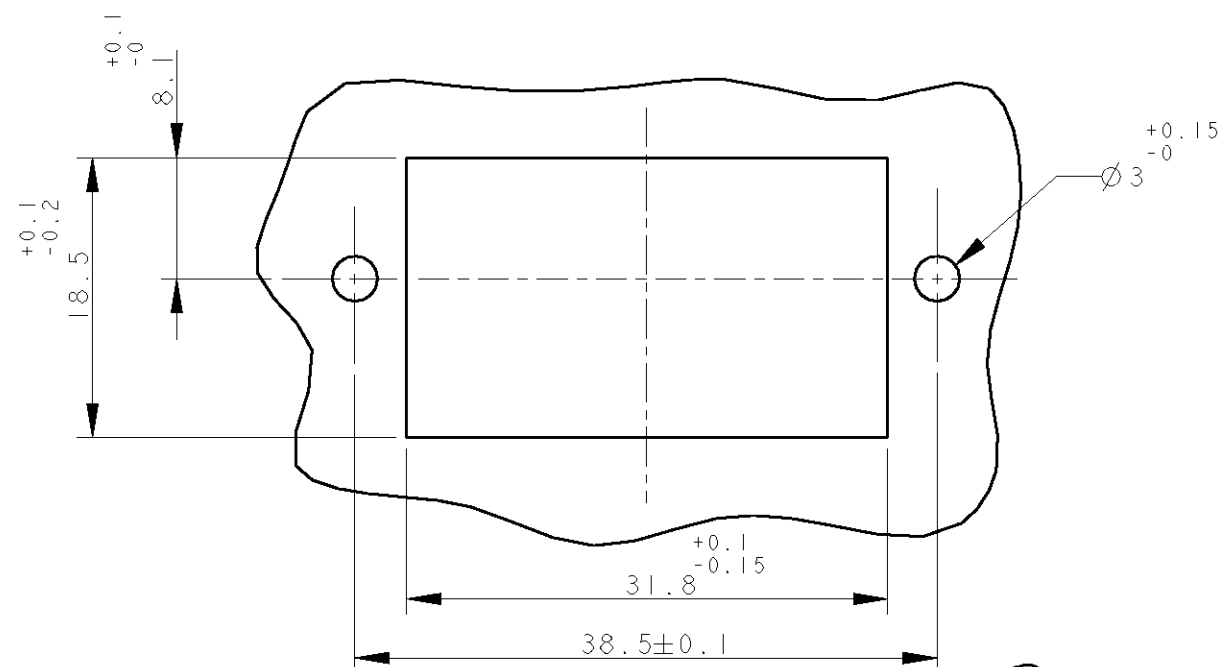
BY AMP INCORPORATED. ALL RIGHTS RESERVED.

| LOC |     | DIST             |  | REVISIONS |     |      |  |
|-----|-----|------------------|--|-----------|-----|------|--|
| P   | LTR | DESCRIPTION      |  | DATE      | DWN | APVD |  |
|     |     | SEE SHEET 1 OF 2 |  |           |     |      |  |

QUOTE DI MONTAGGIO PER DIMA PERPENDICOLARE  
 (MOUNTING DIMENSIONS FOR FASTENING HSG PERPENDICULAR WITH PANEL)



QUOTE DI MONTAGGIO PER DIMA PARALLELA  
 (MOUNTING DIMENSIONS FOR FASTENING HSG IN PARALLEL WITH THE PANEL)



|                                                                                                                                                                               |  |                  |                                                       |           |
|-------------------------------------------------------------------------------------------------------------------------------------------------------------------------------|--|------------------|-------------------------------------------------------|-----------|
| THIS DRAWING IS A CONTROLLED DOCUMENT FOR AMP INCORPORATED. IT IS SUBJECT TO CHANGE AND THE CONTROLLING ENGINEERING ORGANIZATION SHOULD BE CONTACTED FOR THE LATEST REVISION. |  | DWN              | AMP Italia S.p.A.                                     |           |
| DIMENSIONS: mm                                                                                                                                                                |  | CHK              | C.so F.lli Cervi 15 Collegno (TO)                     |           |
| TOLERANCES UNLESS OTHERWISE SPECIFIED:                                                                                                                                        |  | APVD             | NAME                                                  |           |
| 0 PLC ±                                                                                                                                                                       |  | PRODUCT SPEC     | FASTIN-FASTON, .250" Sr.                              |           |
| 1 PLC ±                                                                                                                                                                       |  | APPLICATION SPEC | DIME DI MONTAGGIO PER CONNETTORE PORTA MASCHI A 6 VIE |           |
| 2 PLC ±                                                                                                                                                                       |  | WEIGHT           | SIZE                                                  | CAGE CODE |
| 3 PLC ±                                                                                                                                                                       |  | CUSTOMER DRAWING | A3                                                    | 00779     |
| 4 PLC ±                                                                                                                                                                       |  |                  | DRAWING NO                                            |           |
| ANGLES ±                                                                                                                                                                      |  |                  | C-180948                                              |           |
| FINISH                                                                                                                                                                        |  |                  | SCALE                                                 | SHEET     |
|                                                                                                                                                                               |  |                  | 2:1                                                   | 2 OF 2    |
|                                                                                                                                                                               |  |                  | REV                                                   | AD4       |

单击下面可查看定价，库存，交付和生命周期等信息

[>>TE Connectivity\(泰科\)](#)