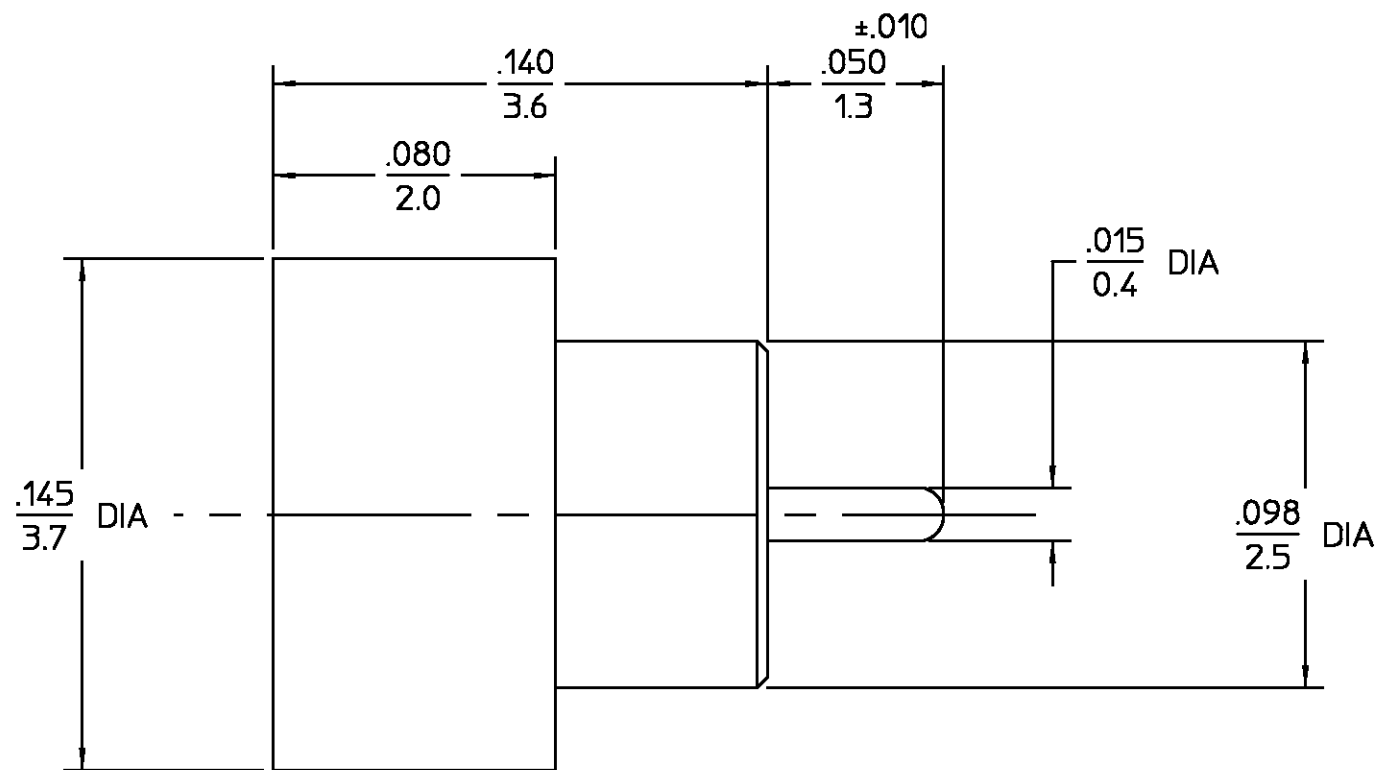
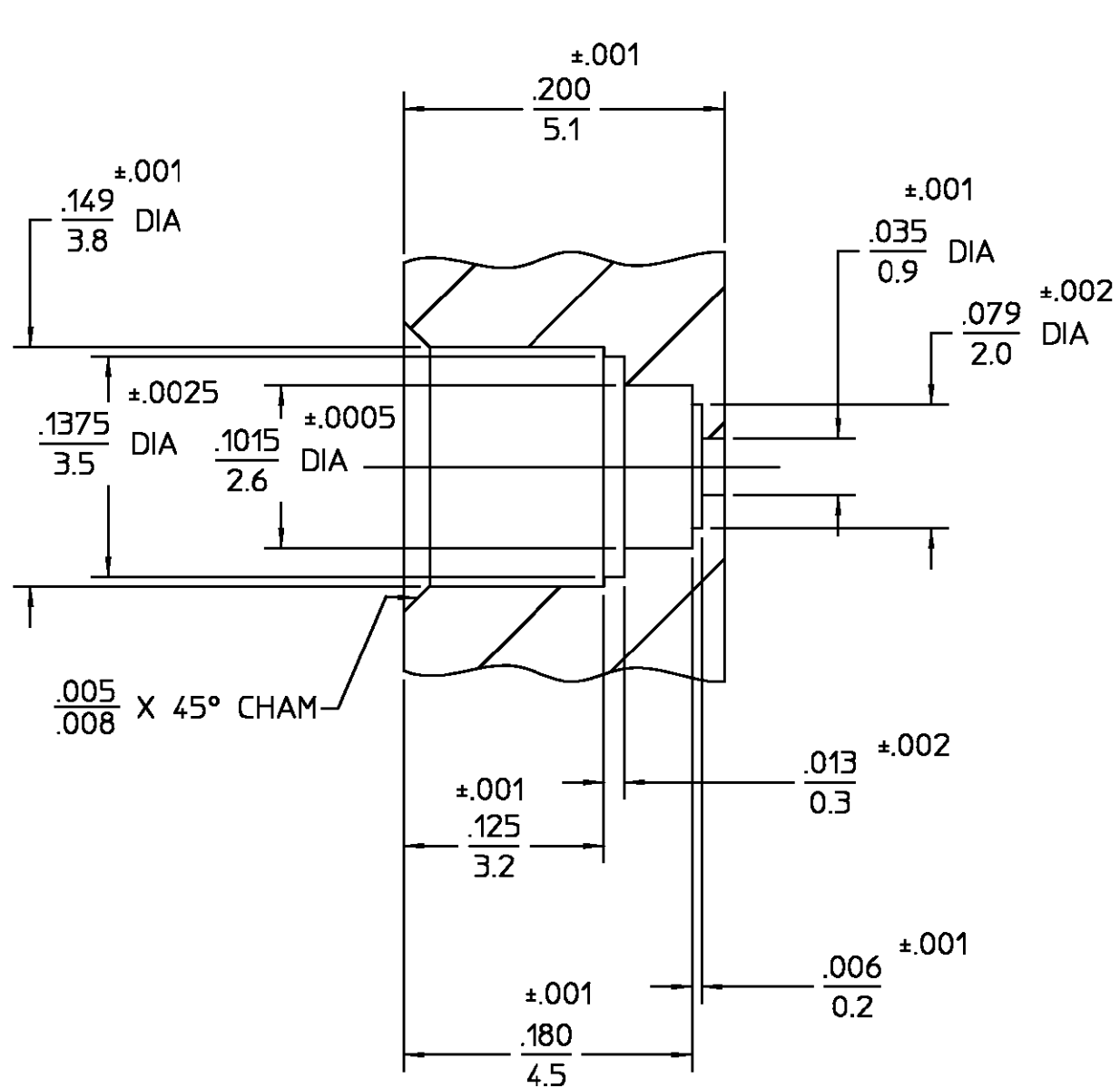


REVISIONS			
REV	DESCRIPTION	DATE	APPROVED
01 <sub>1</sub>	REVISED	BMH 2/24/97	DCpm 2/24/97



.XXX = in  
XX.X = mm

CONTACT EXT HOUSING	IRON NICKEL COBALT SEALING ALLOY (KOVAR) PER ASTM F15-78	GOLD PLATE PER MIL-G-45204
DIELECTRIC	CORNING GLASS 7070	N/A
COMPONENT	MATERIAL	FINISH
UNLESS OTHERWISE SPECIFIED DIMENSIONS ARE IN INCHES TOLERANCE ON FRAC. DEC. ANGLES = 1/64 = .005 = 1°	DRAWN BY <i>RAC</i> DATE 1/30/95 CHECKED BY <i>RAC</i> APPD BY <i>RAC</i> 8/23/95	AMP Incorporated 140 Fourth Avenue Waltham, MA 02451-7599
These drawings and specifications are the property of M/A-COM Interconnect Division and shall not be reproduced or copied or used in whole or in part as the basis for the manufacture or sale of item(s) without written permission.	USE ASSY PROCEDURE	TITLE OSMP SOLDER-IN SHROUD FULL DETENT
	NO. A.P. N/A	SIZE B CODE IDENT NO. 26805 2998-5054-94 REV 01 <sub>1</sub>
		SCALE 20:1 SHEET 1 OF 1

CUSTOMER DRAWING

AMP PART # 1056750-1  
SHEET 1 OF 1 REV A

单击下面可查看定价，库存，交付和生命周期等信息

[>>TE Connectivity\(泰科\)](#)