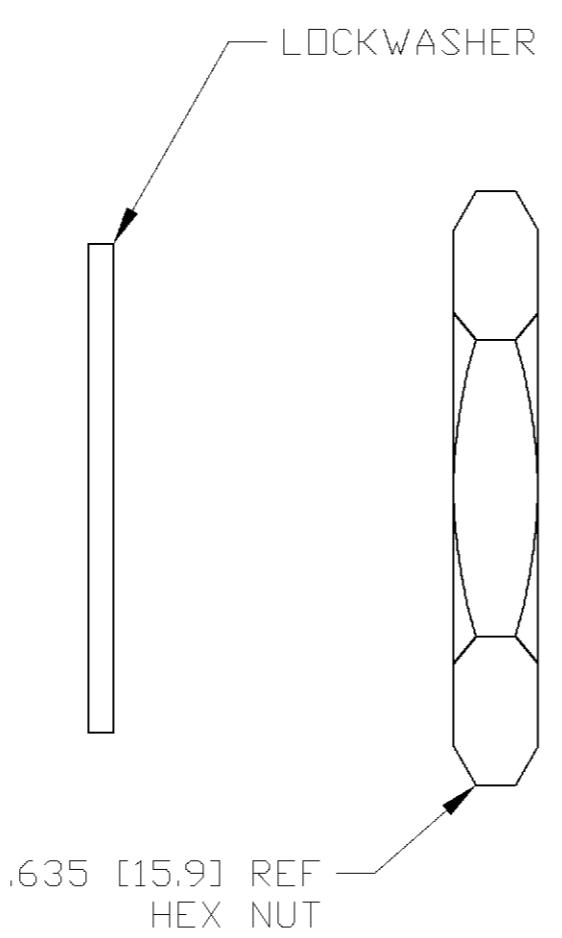
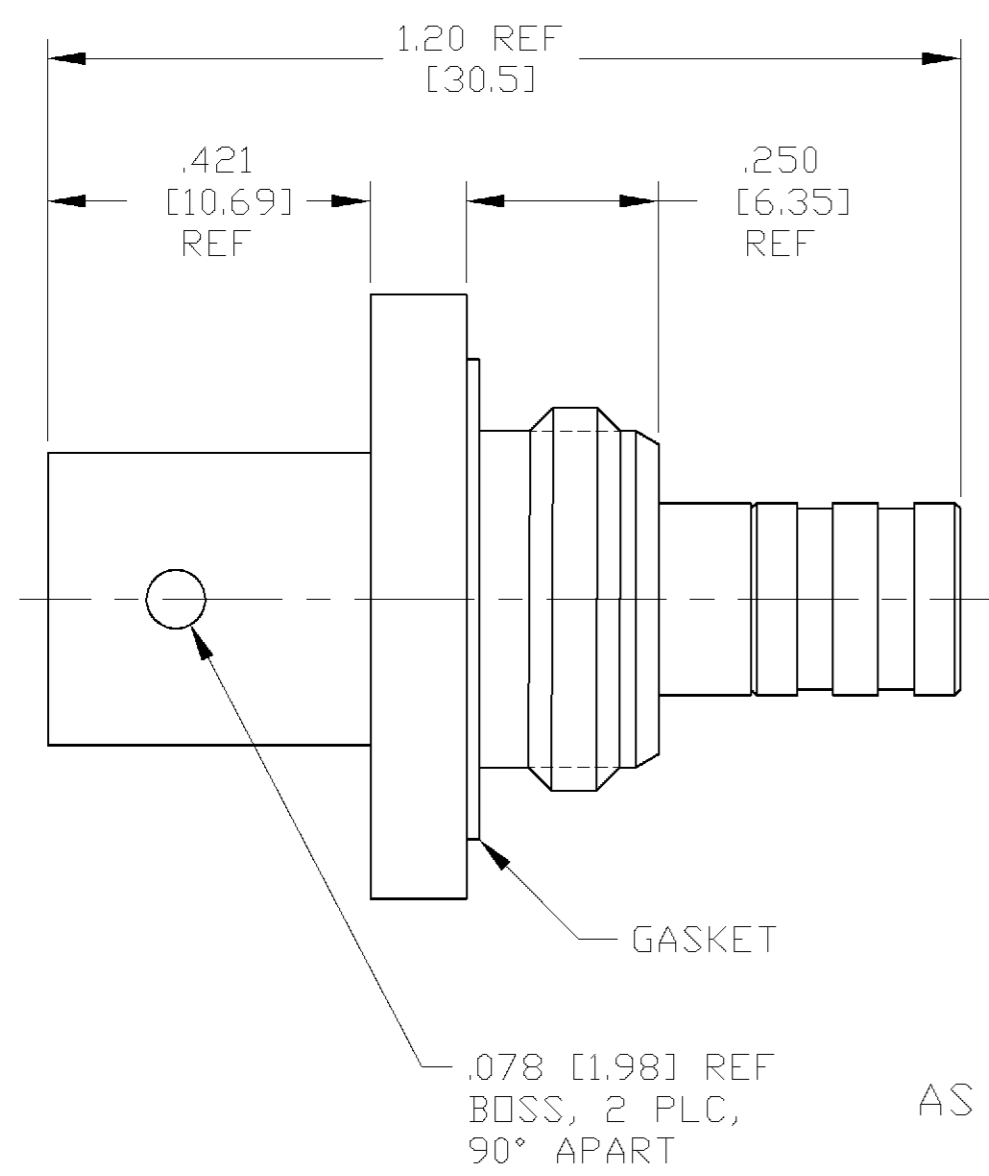
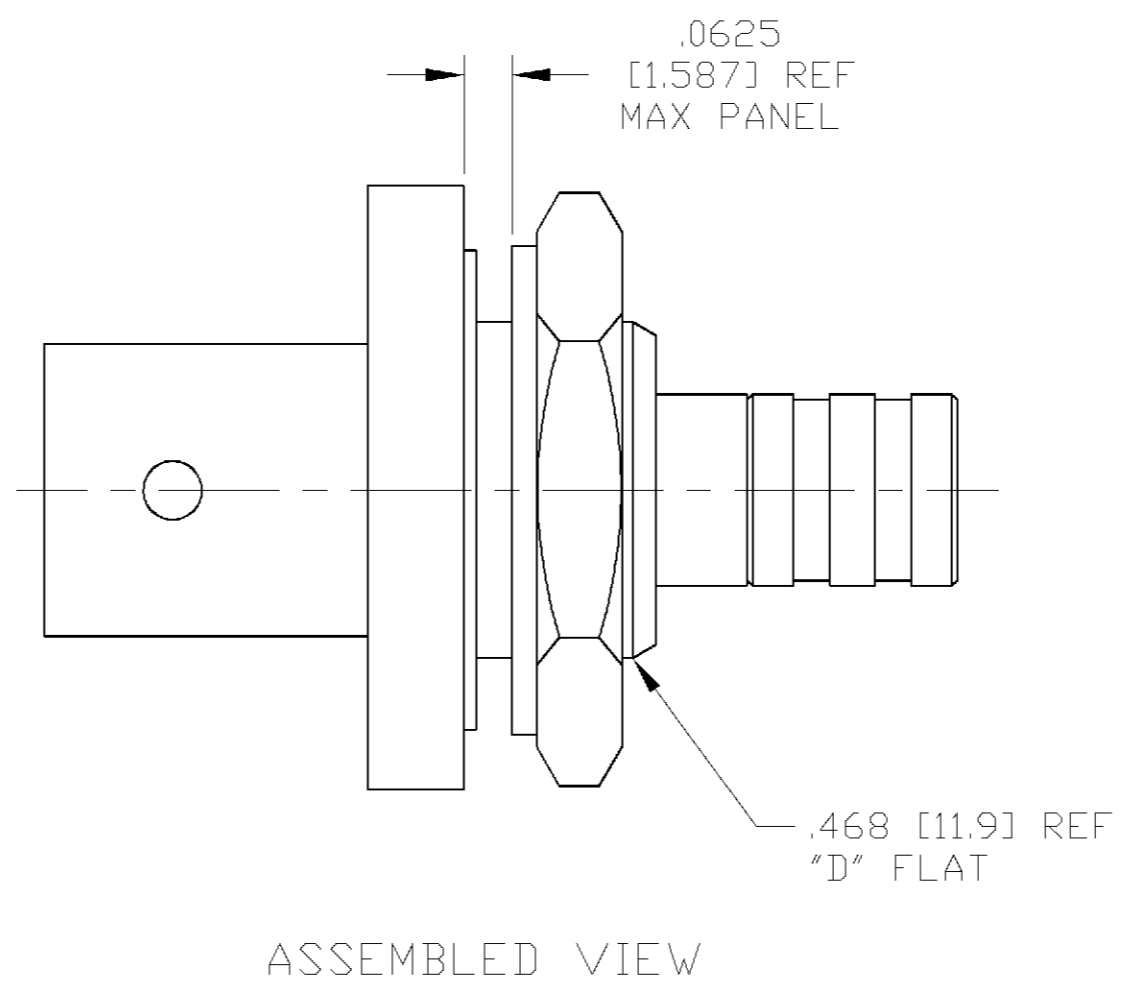


THIS DRAWING IS UNPUBLISHED. RELEASED FOR PUBLICATION N/A, N/A .
 © COPYRIGHT N/A BY TYCO ELECTRONICS CORPORATION. ALL RIGHTS RESERVED.

LOC	DIST	REVISIONS					
DF	X0	P	LTR	DESCRIPTION	DATE	DWN	APVD
		0		RELEASED	4-02	CT	RG

COMPONENT	MATERIAL	FINISH
JACK BODY MOUNTING NUT	BRASS PER ASTM-B-16 1/2 HARD	GOLD PLATED PER ASTM-B-488
DIELECTRIC	PTFE FLUORCARBON PER ASTM-D-1457	-
CENTER CONTACT	BERYLLIUM COPPER PER ASTM-B-196 OR ASTM-B-197 ALLOY C17300, CONDITION H	GOLD PLATED PER ASTM-B-488
SLEEVE	STAINLESS STEEL PER ASTM-A-484 OR ASTM-A-582 TYPE 303	GOLD PLATED PER ASTM-B-488
LOCKWASHER	PHOSPHOR BRONZE PER QQ-B-750 GRADE B2	GOLD PLATED PER ASTM-B-488
GASKET	SILICONE RUBBER PER ZZ-R-765	-



1484361-1
PART NO.

THIS DRAWING IS A CONTROLLED DOCUMENT.		DWN C.C.THOMAS 4-17-02	Tyco Electronics Corporation Harrisburg, Pa 17105-3608	
DIMENSIONS: INCHES [mm]		CHK R.GROSS 4-17-02		
TOLERANCES UNLESS OTHERWISE SPECIFIED:		APVD R.GROSS 4-17-02	NAME OSB JACK TO OSMB JACK ADAPTER,RF	
0 PLC ± - 1 PLC ± - 2 PLC ± - 3 PLC ± - 4 PLC ± - ANGLES ± -		PRODUCT SPEC -	SIZE A2 CAGE CODE 00779 DRAWING NO C=1484361 RESTRICTED TO -	
MATERIAL SEE TABLE		FINISH SEE TABLE	SCALE 4:1 SHEET 1 OF 1 REV 0	
CUSTOMER DRAWING			MA/COM#: 3088-5003-09	

1484361

单击下面可查看定价，库存，交付和生命周期等信息

[>>TE Connectivity\(泰科\)](#)