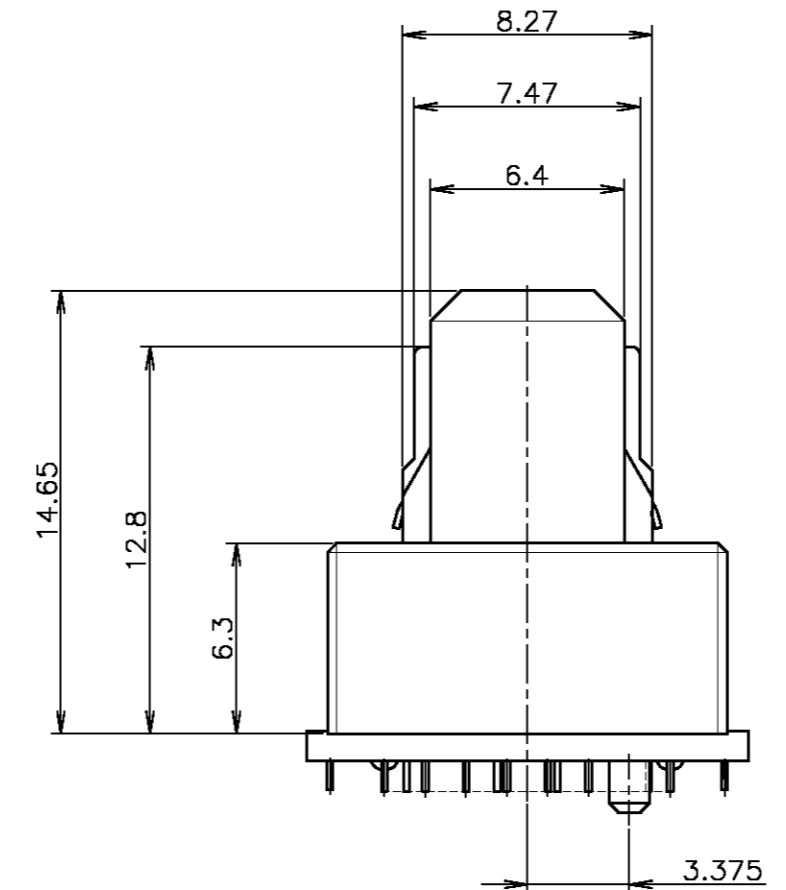
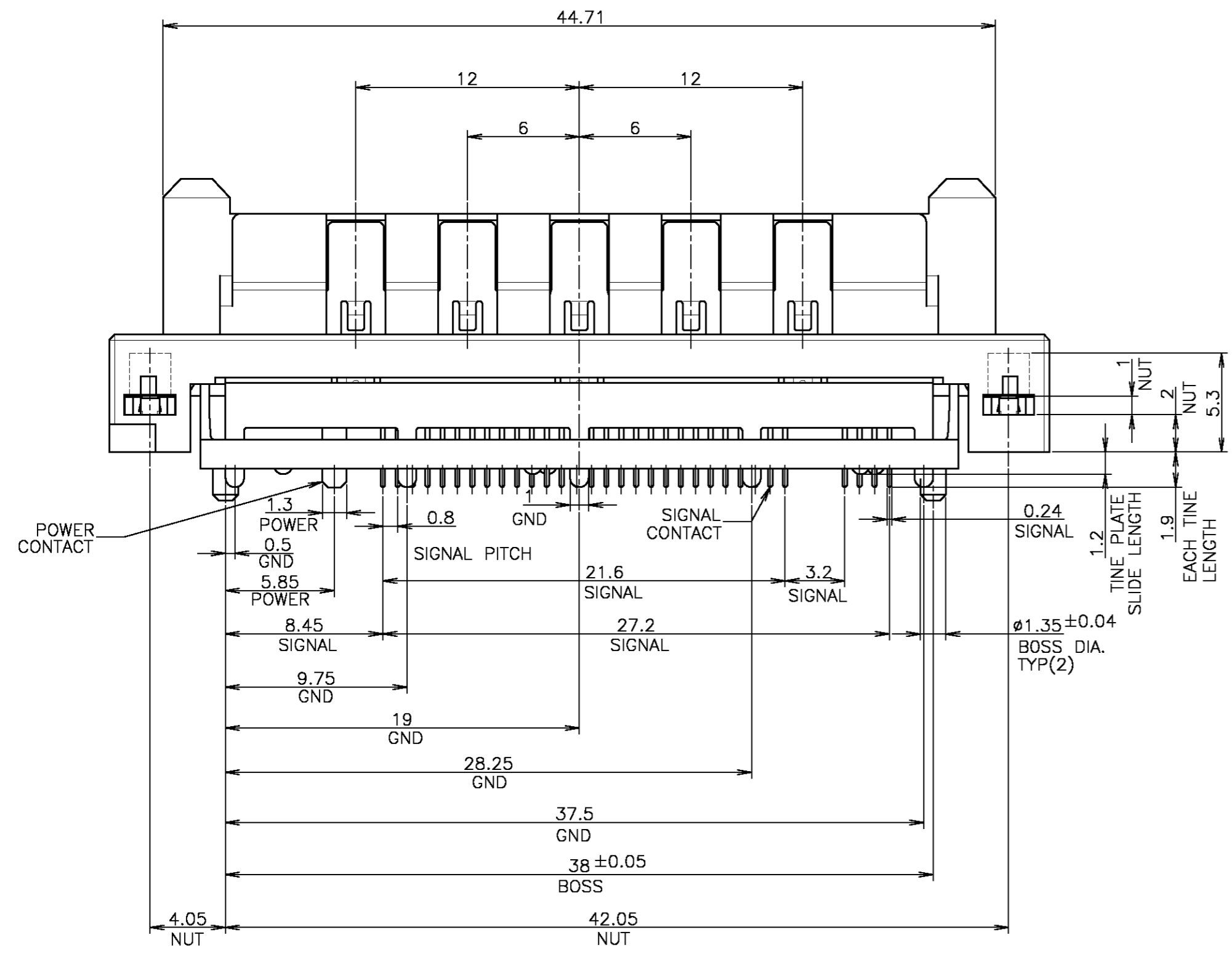
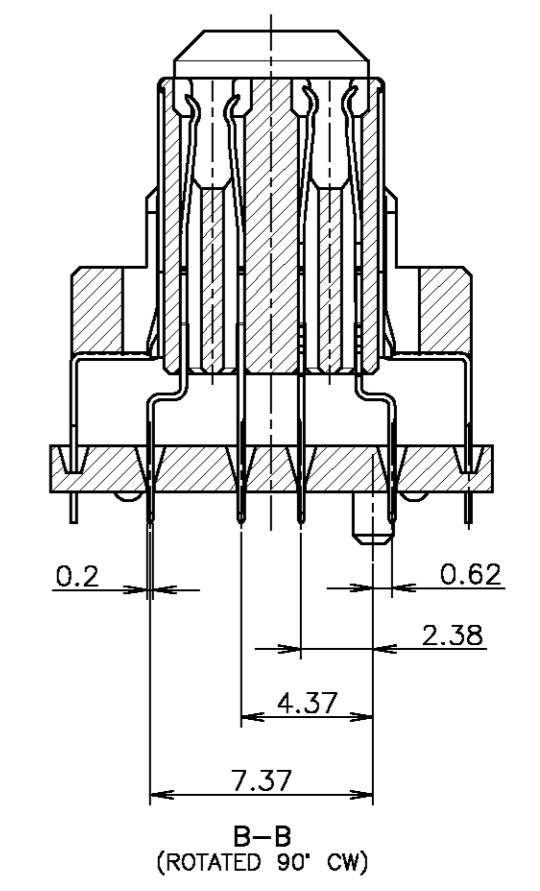
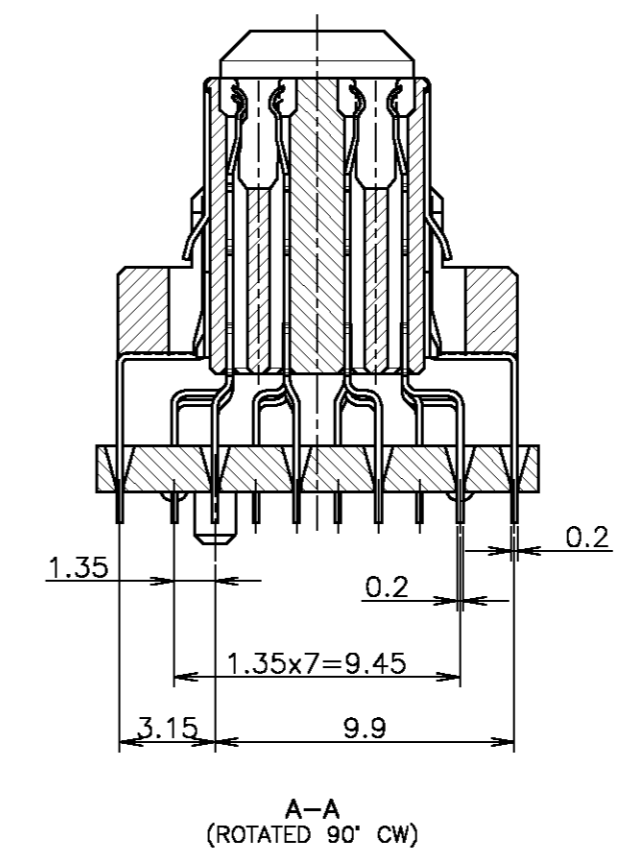
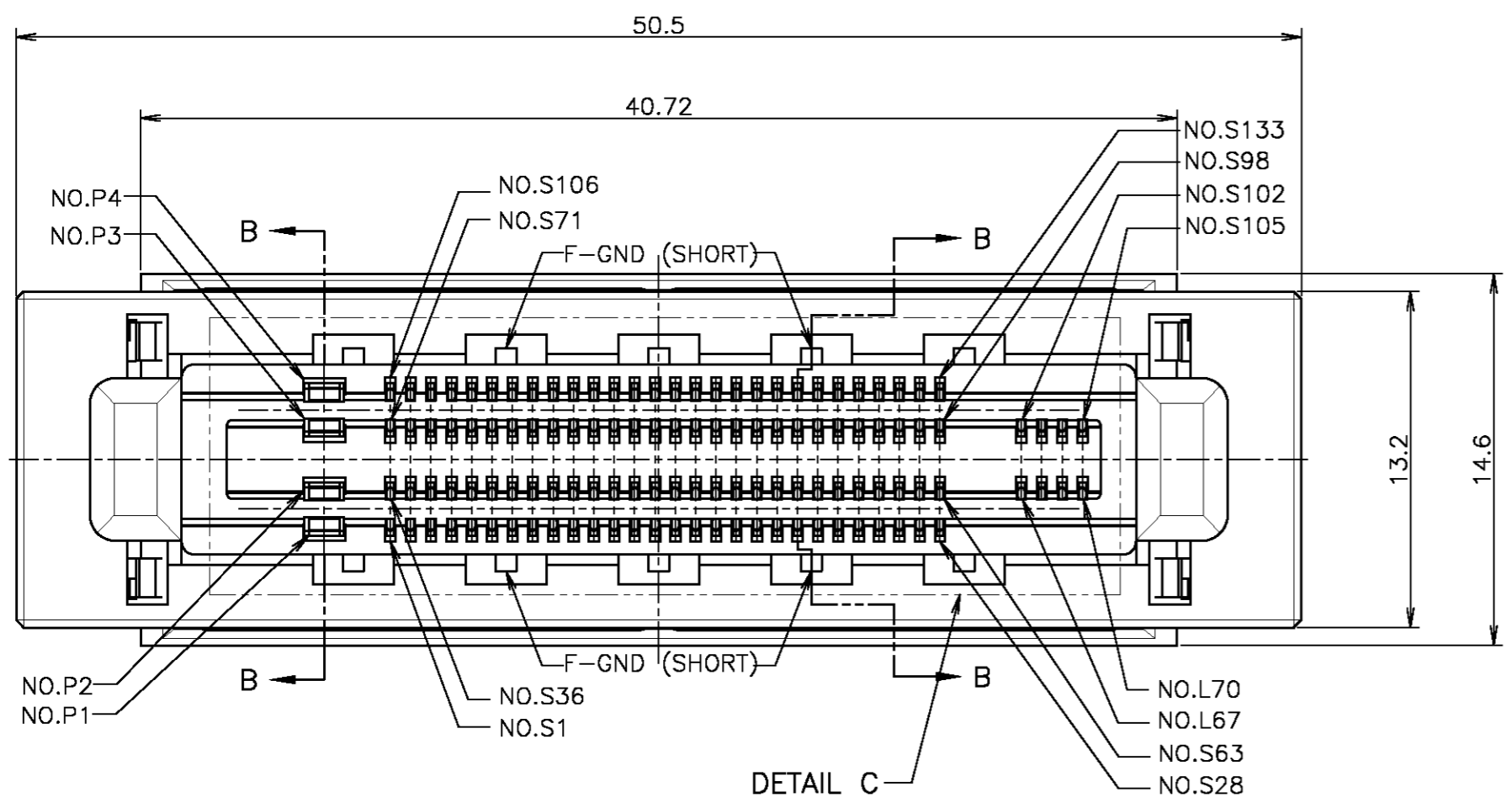


THIS DRAWING IS UNPUBLISHED. RELEASED FOR PUBLICATION OCT., 2005.  
 © COPYRIGHT 2005 BY TYCO ELECTRONICS CORPORATION. ALL RIGHTS RESERVED.

| LOC |     | DIST        |               | REVISIONS |  |         | DATE | DWN | APVD |
|-----|-----|-------------|---------------|-----------|--|---------|------|-----|------|
| P   | LTR | DESCRIPTION |               |           |  |         |      |     |      |
| A1  |     | REVISED     | ECR-08-027796 |           |  | 04NOV08 | N.H  | T.F |      |



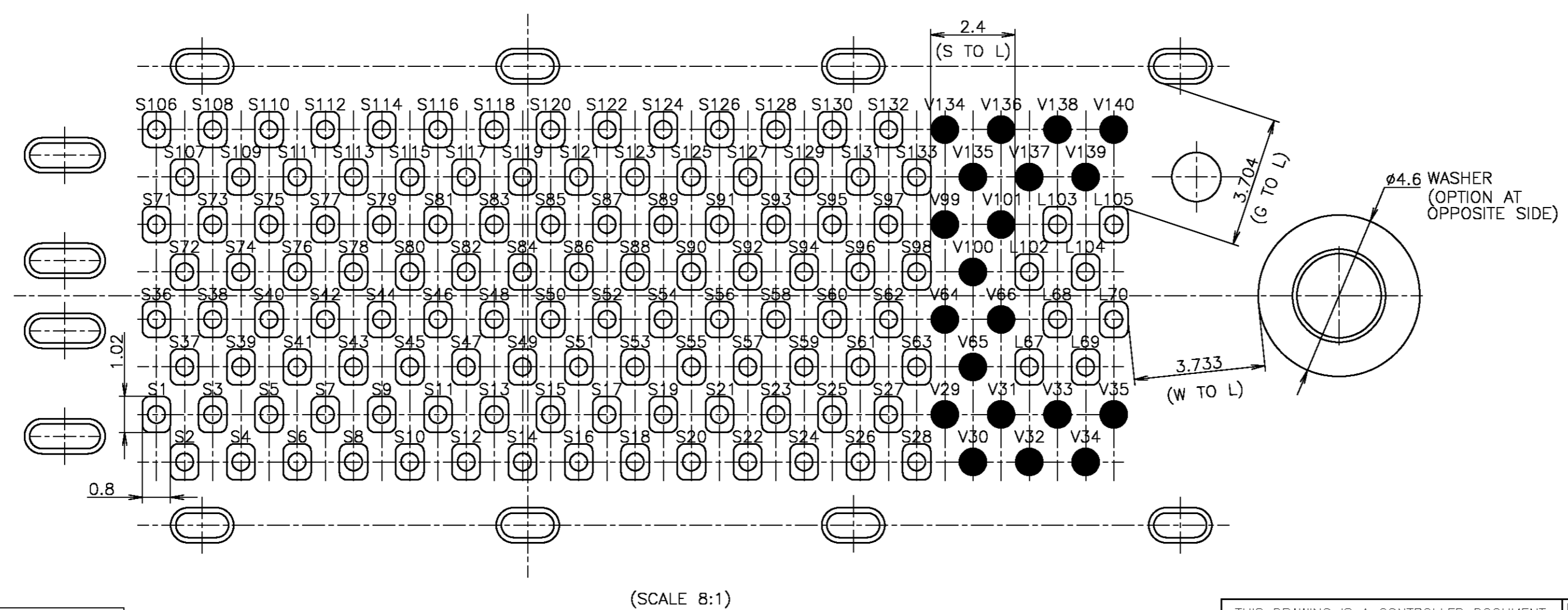
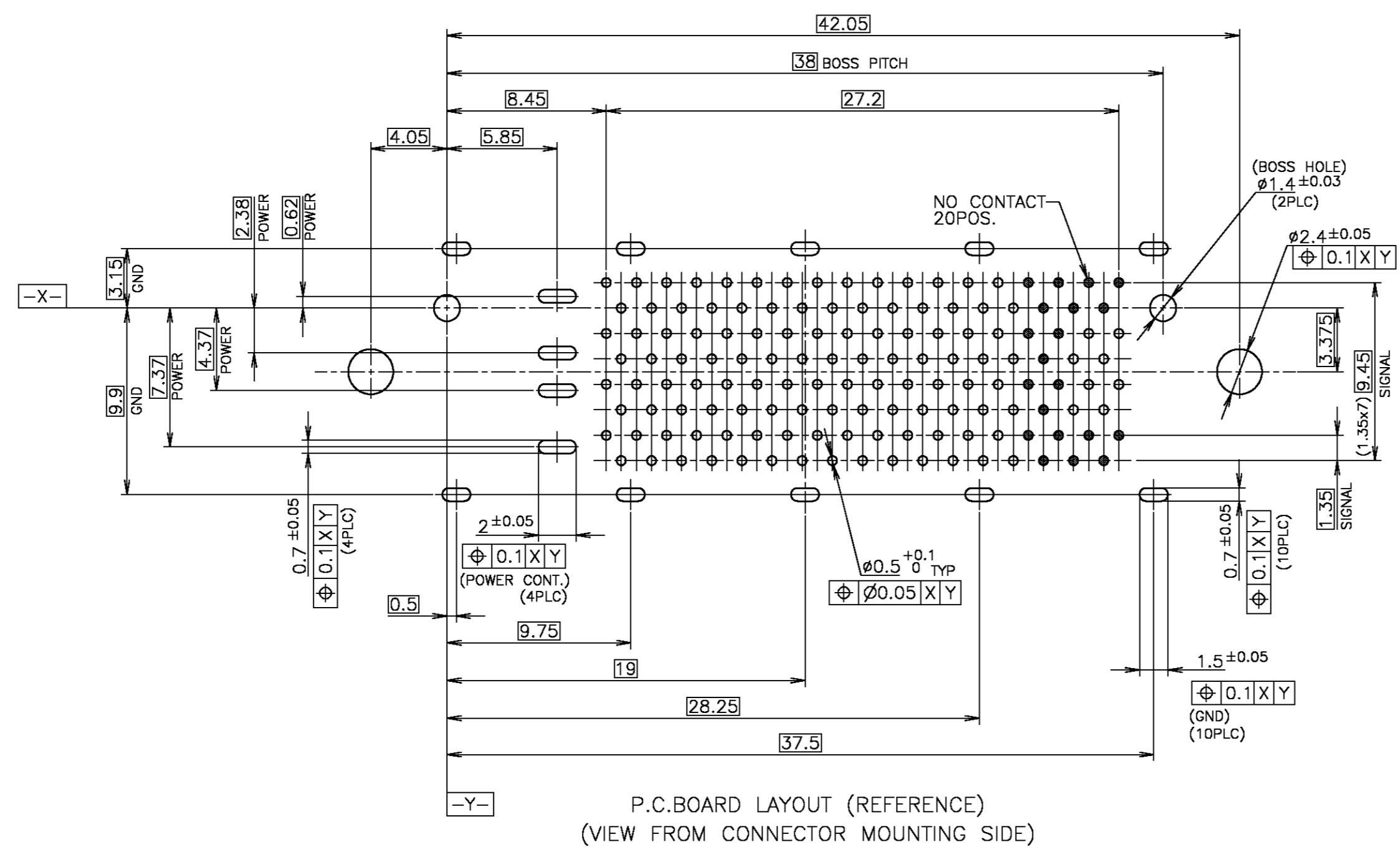
-1; AS SHOWN  
 THE NUMBER OF PINS  
 SIGNAL 112P  
 POWER 4P  
 LAN 8P  
 VOID 20P

GENERAL TOLERANCE  
 一般公差  
 10 ≥ ±0.2  
 30 ≥ > 10: ±0.25  
 100 ≥ > 30: ±0.3  
 ANGLES: ±3°

|  |  |                                   |  |
|--|--|-----------------------------------|--|
| THIS DRAWING IS A CONTROLLED DOCUMENT.         |  | DWN<br>M.UMEHARA<br>24OCT2005     | Tyco Electronics Corporation<br>Kawasaki, Japan                  |
| DIMENSIONS:<br>単位: 特<br>mm                     |  | CHK<br>A.KUBO<br>24OCT2005        |  |
| TOLERANCES UNLESS OTHERWISE SPECIFIED:<br>一般公差 |  | APVD<br>Y.YAMAMOTO<br>24OCT2005   | NAME<br>名称<br>0.8 DOCKING CONNECTOR<br>REC ASSY, 140P + POWER 4P |
| FINISH<br>仕上                                   |  | PRODUCT SPEC<br>製品規格<br>108-78334 | SIZE<br>A2   |
| MATERIAL<br>材料                                 |  | APPLICATION SPEC<br>取付適用規格        | CAGE CODE<br>00779   |
|  |  | WEIGHT                            | DRAWING NO.<br>番号<br>C=1903385                                   |
|  |  | CUSTOMER DRAWING                  | RESTRICTED TO  |
|  |  | SCALE<br>尺度<br>4:1                | SHEET<br>1 of 5  |
|  |  |                                   | REV<br>A1  |

1903385

|     |      |             |      |      |
|-----|------|-------------|------|------|
| LOC | DIST | REVISONS    |      |      |
| J   | /    | 変更          | DATE | DWN  |
| P   | LTR  | DESCRIPTION | DATE | APVD |
| -   | -    | SEE SHEET 1 | -    | -    |



- △ 材質**  
 ハウジング：熱可塑性樹脂 UL94V-0，黒  
 タイムプレート：熱可塑性樹脂 UL94V-0，黒  
 シグナルコンタクト：銅合金  
 パワーコンタクト：銅合金  
 グランドプレート：銅合金  
 ナット：ステンレス鋼  
 トレー：PS t=0.8，白
- △ 仕上**  
 シグナルコンタクト&パワーコンタクト：  
 ニッケル下地接点部金めっき、はんだ付け部すずめっき  
 グランドプレート：すずめっき（リフロー）
- 3 適用基板厚**：1.45±0.1mm  
**4 かん合相手型番**：1903848-1  
 : 2040472-1, 2040928-1
- △ 推奨ねじ締め付けトルク**：  
 0.15N・m(1.5kgf・cm)から0.2N・m(2kgf・cm)
- 6 梱包**：32EA/トレイ
- △ MATERIAL**  
 HOUSING: THERMOPLASTIC, UL94V-0, BLACK  
 TIME PLATE: THERMOPLASTIC, UL94V-0, BLACK  
 SIGNAL CONTACT: COPPER ALLOY  
 POWER CONTACT: COPPER ALLOY  
 GROUND PLATE: COPPER ALLOY  
 NUT: STAINLESS STEEL  
 TRAY: PS t=0.8, WHITE
- △ FINISH**  
 SIGNAL CONTACT & POWER CONTACT:  
 Au PL. ON CONTACT AREA  
 Sn PL. ON SOLDER AREA  
 Ni UNDER PL. ALL OVER  
 GROUND PLATE:  
 Sn PL. (REFLOW)
- 3 APPLICABLE THICKNESS OF P.C.BOARD**: 1.45±0.1mm  
**4 CONNECTOR TO BE MATED**: 1903848-1  
 : 2040472-1, 2040928-1
- △ RECOMMENDED TIGHTENING TORQUE**:  
 FROM 0.15N.m (1.5kgf.cm) TO 0.2N.m (2kgf.cm)
- 6 PACKAGING**: 32EA/TRAY

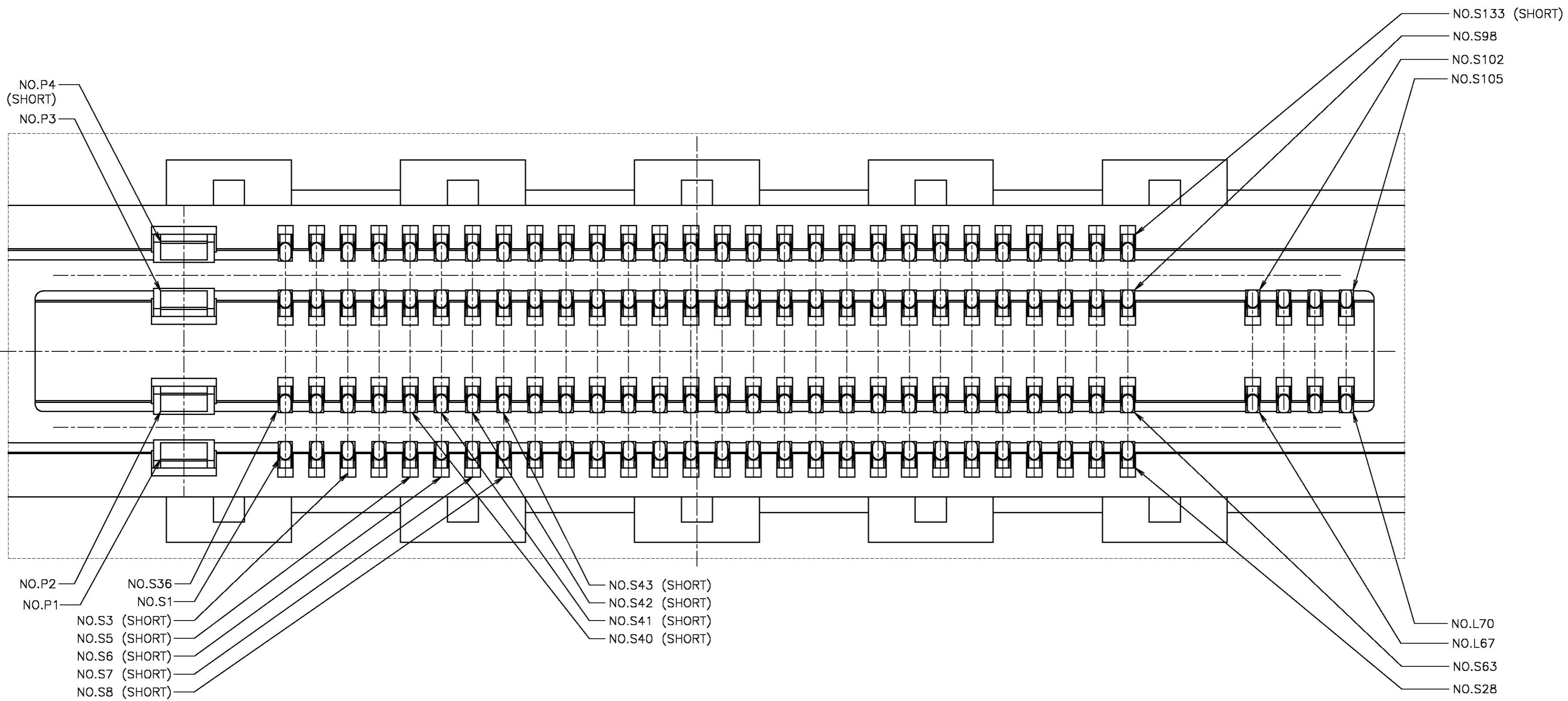
S27  
 CIRCUIT NO.  
 S: SIGNAL  
 P: POWER  
 V: VOID  
 L: LAN

**GENERAL TOLERANCE**  
 一般公差  
 10 ≥ : ±0.2  
 30 ≥ > 10: ±0.25  
 100 ≥ > 30: ±0.3  
 ANGLES: ±3°

|   |  |                            |  |               |
|---|--|----------------------------|--|---------------|
| THIS DRAWING IS A CONTROLLED DOCUMENT.                          |  | DWN                        | Tyco Electronics Corporation<br>Kawasaki, Japan    |               |
| DIMENSIONS: 単位: 寸 mm  |  | CHK                        | NAME 名称  |               |
| TOLERANCES UNLESS OTHERWISE SPECIFIED: 一般公差                     |  | APVD                       | 0.8 DOCKING CONNECTOR<br>REC ASSY, 140P + POWER 4P |               |
| 0 PLC ±<br>1 PLC ±<br>2 PLC ±<br>3 PLC ±<br>4 PLC ±<br>ANGLES ± |  | PRODUCT SPEC<br>製品規格       | SIZE   | RESTRICTED TO |
| MATERIAL 材料   |  | APPLICATION SPEC<br>取付適用規格 | CAGE CODE  | 00779         |
| FINISH 仕上   |  | WEIGHT                     | DRAWING NO<br>番号                                   | C=1903385     |
|   |  | CUSTOMER DRAWING           | SCALE<br>尺度  | 4:1           |
|   |  |                            | SHEET  | 2 of 5        |
|   |  |                            | REV  | A1            |

THIS DRAWING IS UNPUBLISHED. RELEASED FOR PUBLICATION OCT., 2005.  
 © COPYRIGHT 2005 BY TYCO ELECTRONICS CORPORATION. ALL RIGHTS RESERVED.

|     |      |           |     |             |      |     |      |
|-----|------|-----------|-----|-------------|------|-----|------|
| LOC | DIST | REVISIONS |     |             | DATE | DWN | APVD |
| J   | /    | P         | LTR | DESCRIPTION |      |     |      |
|     |      | -         |     | SEE SHEET 1 | -    | -   | -    |



DETAIL C

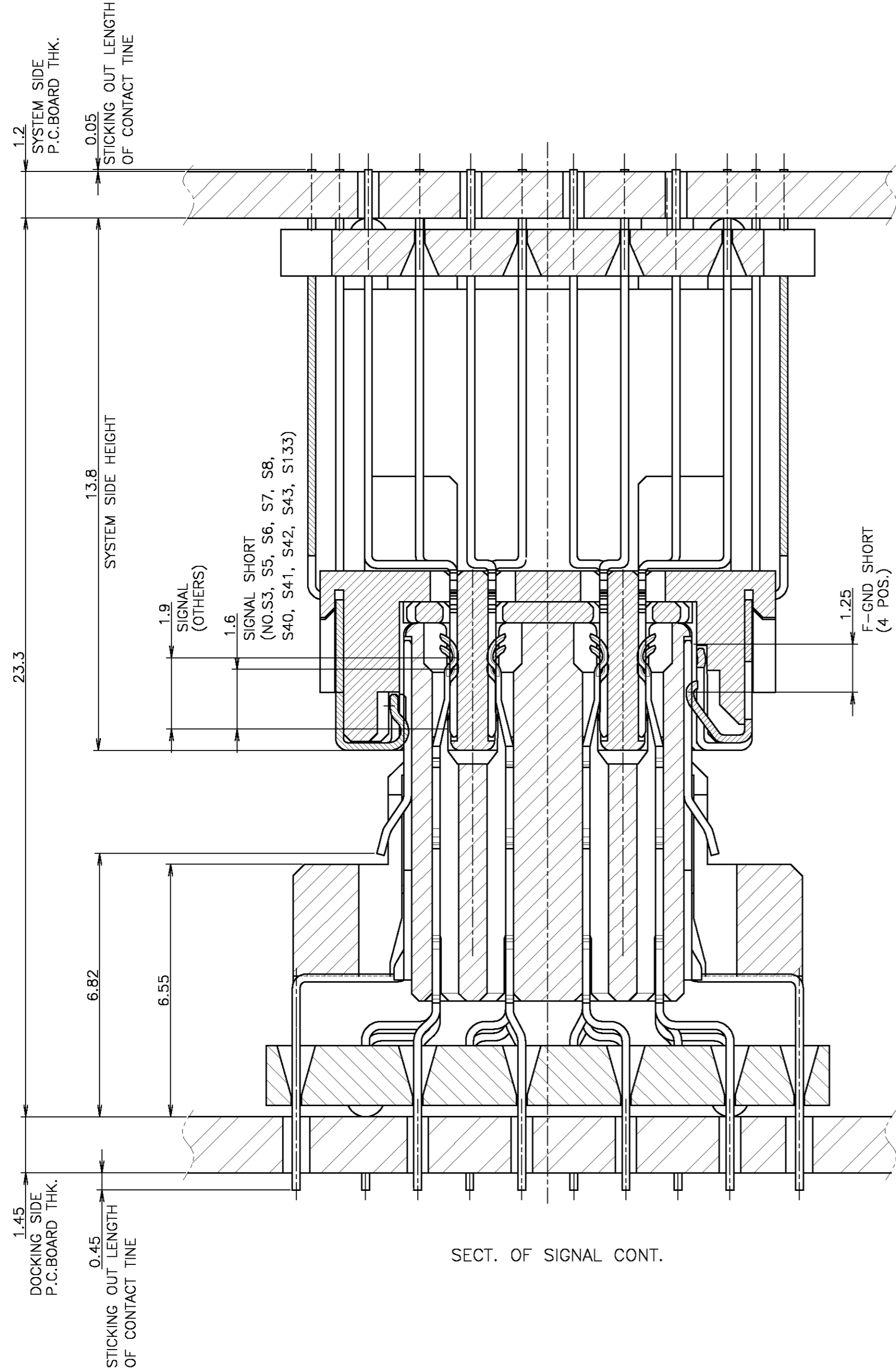
1903385

|   |  |                            |  |               |
|---|--|----------------------------|--|---------------|
| THIS DRAWING IS A CONTROLLED DOCUMENT.                          |  | DWN                        | Tyco Electronics Corporation<br>Kawasaki, Japan    |               |
| DIMENSIONS:<br>単位: 特<br>mm                                      |  | CHK                        | NAME<br>名称   |               |
| TOLERANCES UNLESS OTHERWISE SPECIFIED:<br>一般公差                  |  | APVD                       | 0.8 DOCKING CONNECTOR<br>REC ASSY, 140P + POWER 4P |               |
| 0 PLC ±<br>1 PLC ±<br>2 PLC ±<br>3 PLC ±<br>4 PLC ±<br>ANGLES ± |  | PRODUCT SPEC<br>製品規格       | SIZE   | CAGE CODE     |
| MATERIAL<br>材料  |  | APPLICATION SPEC<br>取付適用規格 | A2   | 00779         |
| FINISH<br>仕上  |  | WEIGHT                     | DRAWING NO<br>番号                                   | RESTRICTED TO |
|   |  | CUSTOMER DRAWING           | C=1903385  |               |
|   |  | SCALE<br>尺度                | SHEET  | REV           |
|   |  | 12:1                       | 3 of 5   | A1            |

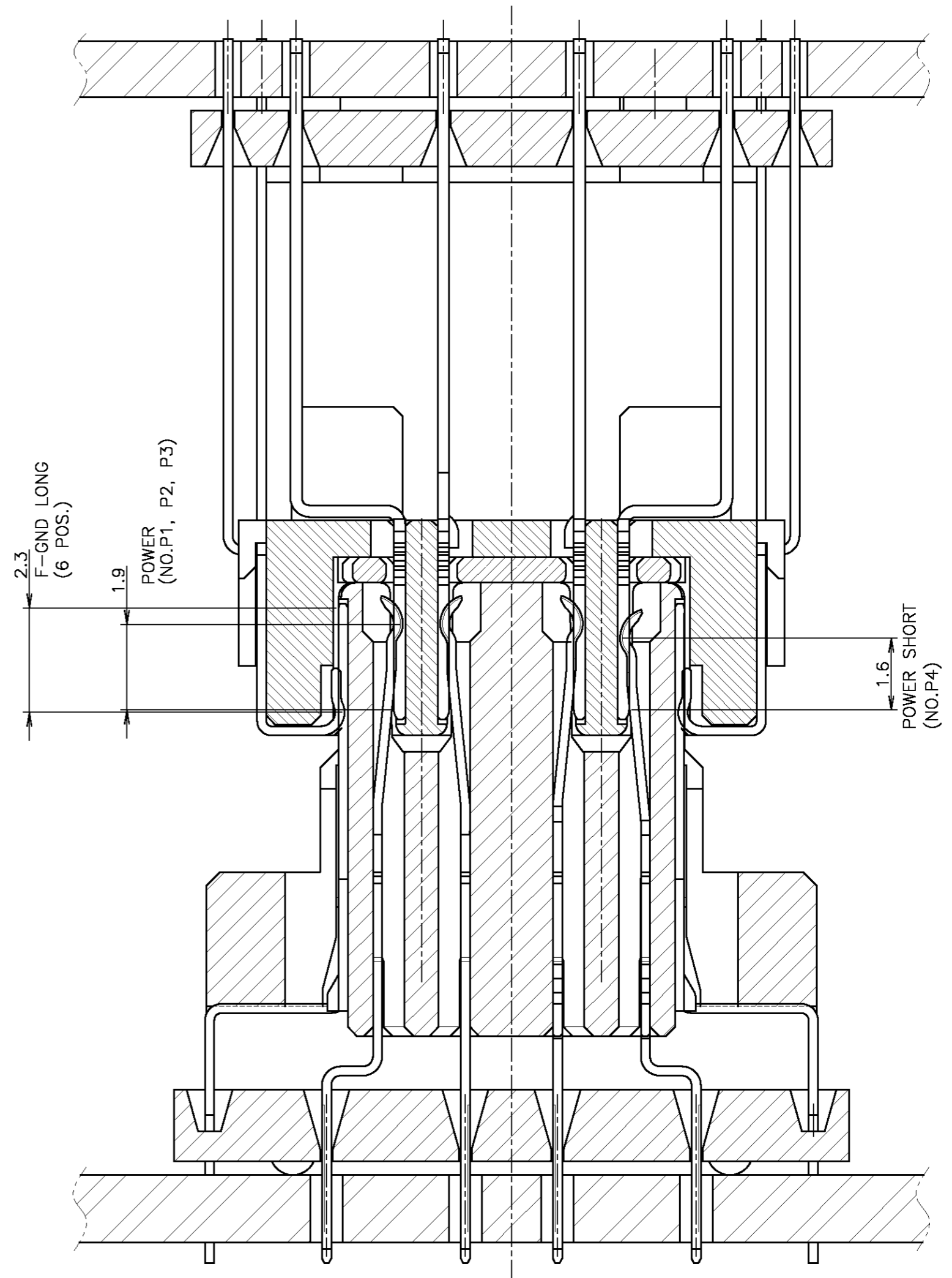


THIS DRAWING IS UNPUBLISHED. RELEASED FOR PUBLICATION OCT., 2005.  
 © COPYRIGHT 2005 BY TYCO ELECTRONICS CORPORATION. ALL RIGHTS RESERVED.

| LOC | DIST | REVISIONS |     |             | DATE | DWN | APVD |
|-----|------|-----------|-----|-------------|------|-----|------|
| J   |      | P         | LTR | DESCRIPTION |      |     |      |
|     |      | -         | -   | SEE SHEET 1 | -    | -   | -    |



SECT. OF SIGNAL CONT.



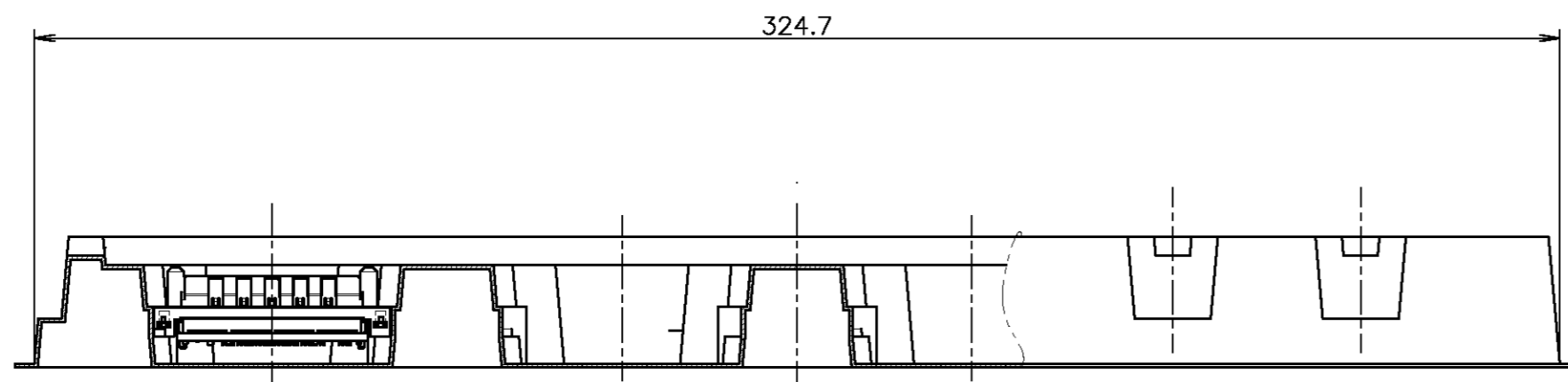
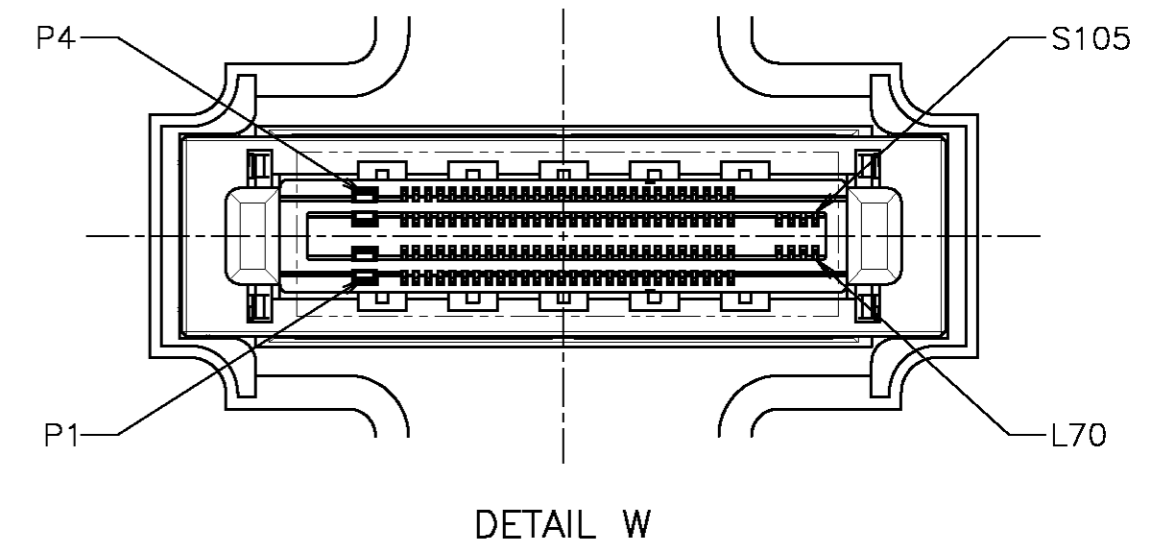
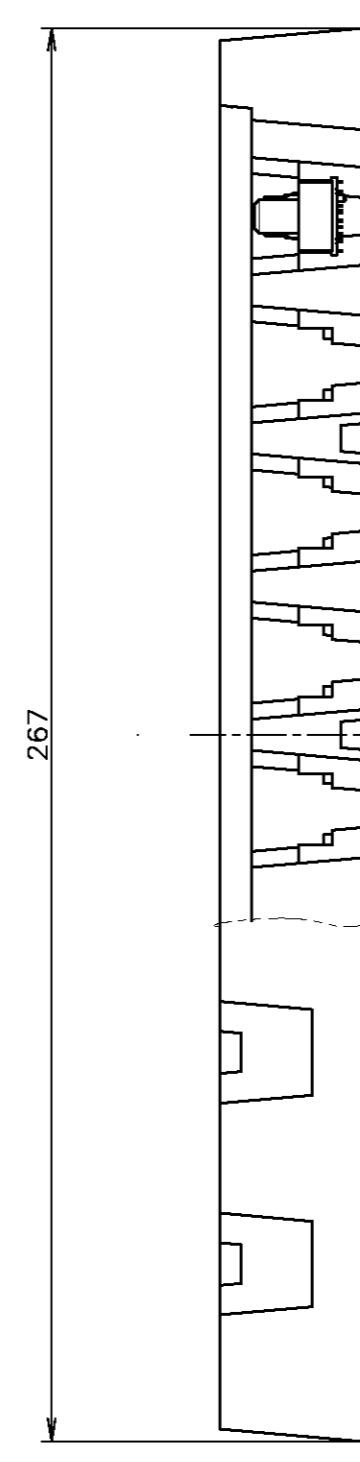
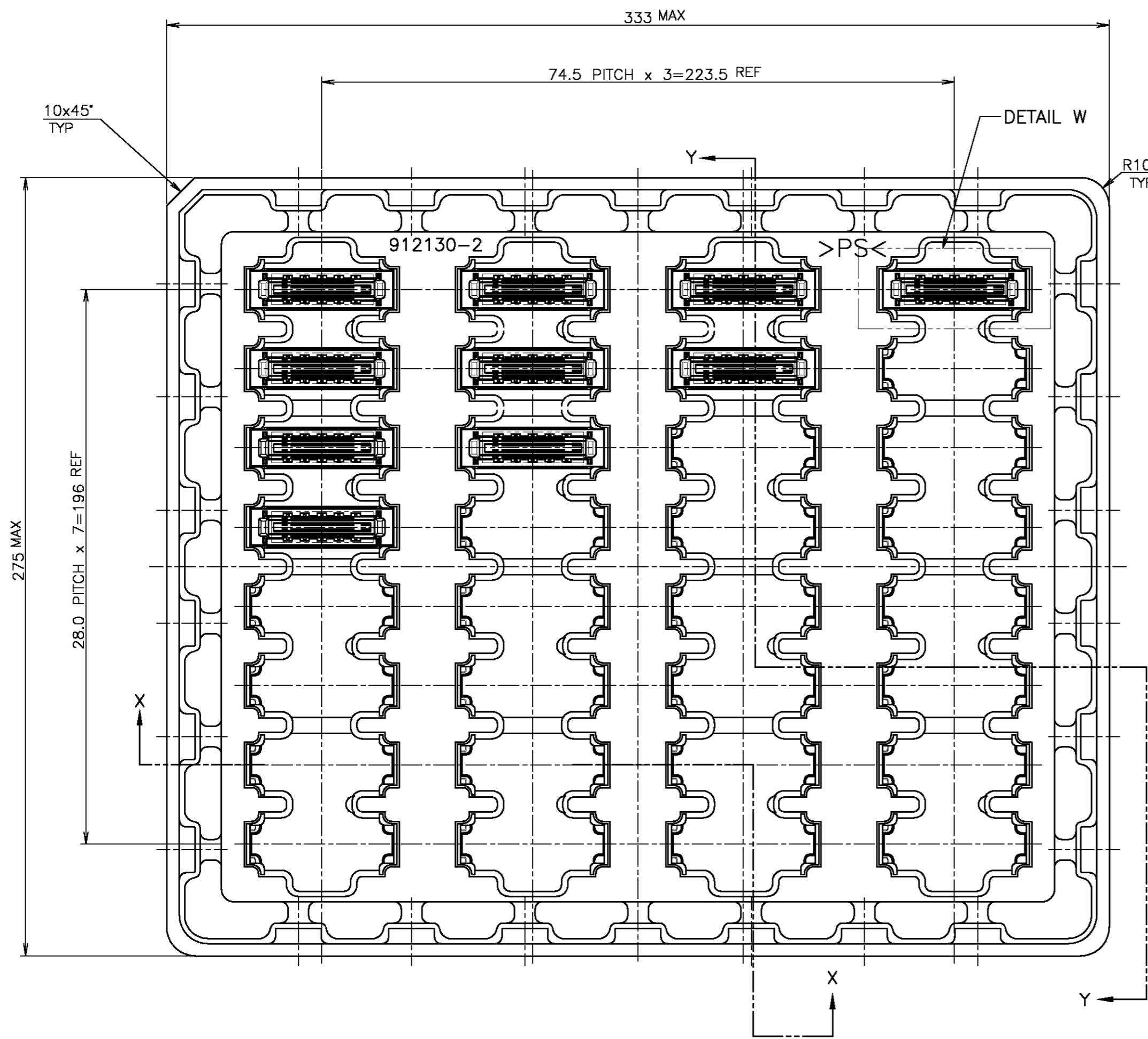
SECT. OF POWER CONT.

DIMENSIONS ARE REFERENCE ONLY.

|   |  |                         |  |               |
|---|--|-------------------------|--|---------------|
| THIS DRAWING IS A CONTROLLED DOCUMENT.      |  | DWN                     | Tyco Electronics Corporation<br>Kawasaki, Japan    |               |
| DIMENSIONS: 单位: 毫米 mm                       |  | CHK                     | NAME 名称  |               |
| TOLERANCES UNLESS OTHERWISE SPECIFIED: 一般公差 |  | APVD                    | 0.8 DOCKING CONNECTOR<br>REC ASSY, 140P + POWER 4P |               |
| 6 PLC ±                                     |  | PRODUCT SPEC 製品規格       | SIZE   | CAGE CODE     |
| 1 PLC ±                                     |  | APPLICATION SPEC 取付適用規格 | A2   | 00779         |
| 2 PLC ±                                     |  | WEIGHT                  | DRAWING NO 番号                                      | RESTRICTED TO |
| 3 PLC ±                                     |  | CUSTOMER DRAWING        | C=1903385  |               |
| 4 PLC ±                                     |  | SCALE 尺度                | NTS  | SHEET 4 OF 5  |
| ANGLES ±                                    |  | REV                     | A1   |               |
| FINISH 仕上                                   |  |                         |  |               |

THIS DRAWING IS UNPUBLISHED. RELEASED FOR PUBLICATION OCT., 2005.  
 © COPYRIGHT 2005 BY TYCO ELECTRONICS CORPORATION. ALL RIGHTS RESERVED.

| LOC |     | DIST        |      | REVISIONS |      |  |  |
|-----|-----|-------------|------|-----------|------|--|--|
| P   | LTR | DESCRIPTION | DATE | DWN       | APVD |  |  |
|     |     | SEE SHEET 1 |      |           |      |  |  |



|   |        |                            |  |                 |   |       |        |       |   |       |   |        |   |                      |      |           |
|---|--------|----------------------------|--|-----------------|---|-------|--------|-------|---|-------|---|--------|---|----------------------|------|-----------|
| THIS DRAWING IS A CONTROLLED DOCUMENT.  |        | DWN                        | Tyco Electronics Corporation<br>Kawasaki, Japan    |                 |   |       |        |       |   |       |   |        |   |                      |      |           |
| DIMENSIONS:<br>単位: 特<br>mm  |        | CHK                        | NAME<br>名称   |                 |   |       |        |       |   |       |   |        |   |                      |      |           |
| TOLERANCES UNLESS OTHERWISE SPECIFIED:<br>一般公差  |        | APVD                       | 0.8 DOCKING CONNECTOR<br>REC ASSY, 140P + POWER 4P |                 |   |       |        |       |   |       |   |        |   |                      |      |           |
| <table border="1"> <tr><td>Ø PLG</td><td>±</td></tr> <tr><td>1 PLG</td><td>±</td></tr> <tr><td>2 PLG</td><td>±1.0mm</td></tr> <tr><td>3 PLG</td><td>±</td></tr> <tr><td>4 PLG</td><td>±</td></tr> <tr><td>ANGLES</td><td>±</td></tr> </table> |        | Ø PLG                      | ±  | 1 PLG           | ± | 2 PLG | ±1.0mm | 3 PLG | ± | 4 PLG | ± | ANGLES | ± | PRODUCT SPEC<br>製品規格 | SIZE | CAGE CODE |
| Ø PLG   | ±      |                            |  |                 |   |       |        |       |   |       |   |        |   |                      |      |           |
| 1 PLG   | ±      |                            |  |                 |   |       |        |       |   |       |   |        |   |                      |      |           |
| 2 PLG   | ±1.0mm |                            |  |                 |   |       |        |       |   |       |   |        |   |                      |      |           |
| 3 PLG   | ±      |                            |  |                 |   |       |        |       |   |       |   |        |   |                      |      |           |
| 4 PLG   | ±      |                            |  |                 |   |       |        |       |   |       |   |        |   |                      |      |           |
| ANGLES  | ±      |                            |  |                 |   |       |        |       |   |       |   |        |   |                      |      |           |
| MATERIAL<br>材料  |        | APPLICATION SPEC<br>取付適用規格 | A2   | 00779           |   |       |        |       |   |       |   |        |   |                      |      |           |
| FINISH<br>仕上  |        | WEIGHT                     | DRAWING NO<br>番号                                   | RESTRICTED TO   |   |       |        |       |   |       |   |        |   |                      |      |           |
|   |        | CUSTOMER DRAWING           | C=1903385  |                 |   |       |        |       |   |       |   |        |   |                      |      |           |
|   |        | SCALE<br>尺度                | NTS  | SHEET<br>5 of 5 |   |       |        |       |   |       |   |        |   |                      |      |           |
|   |        |                            | REV  | A1              |   |       |        |       |   |       |   |        |   |                      |      |           |

单击下面可查看定价，库存，交付和生命周期等信息

[>>TE Connectivity\(泰科\)](#)