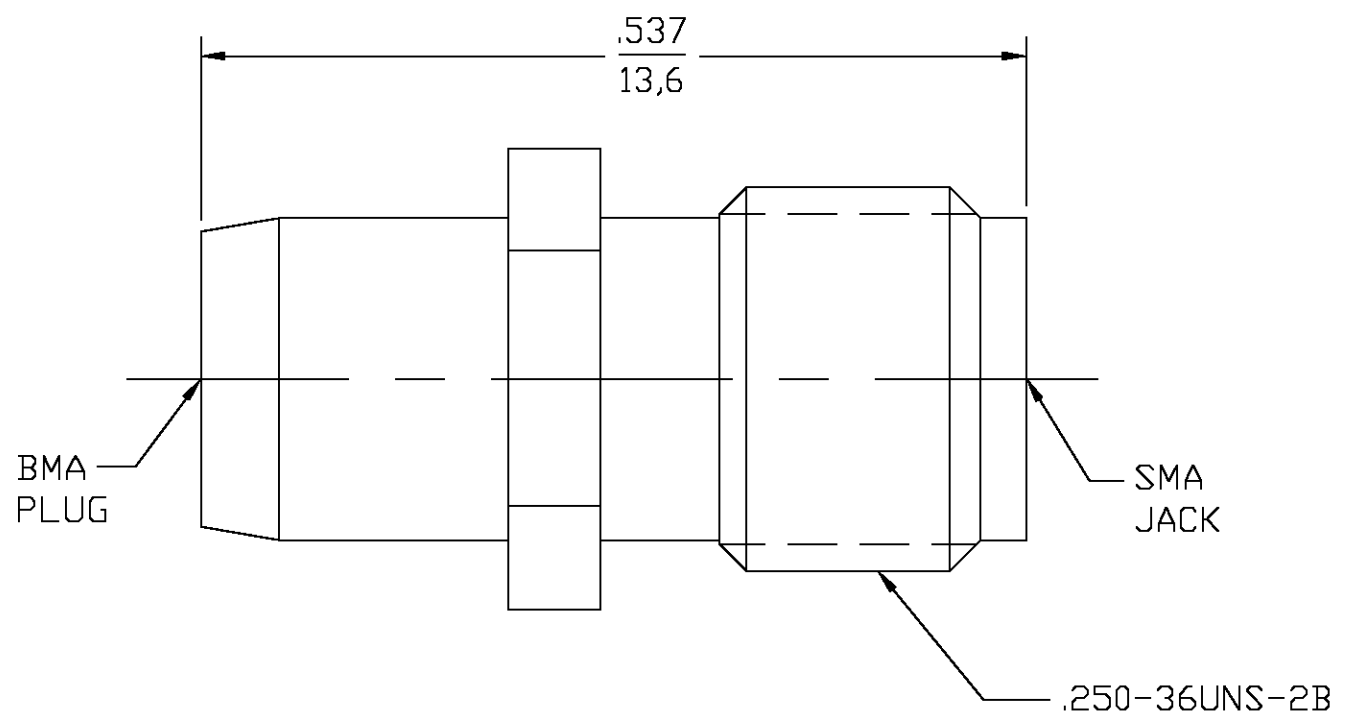
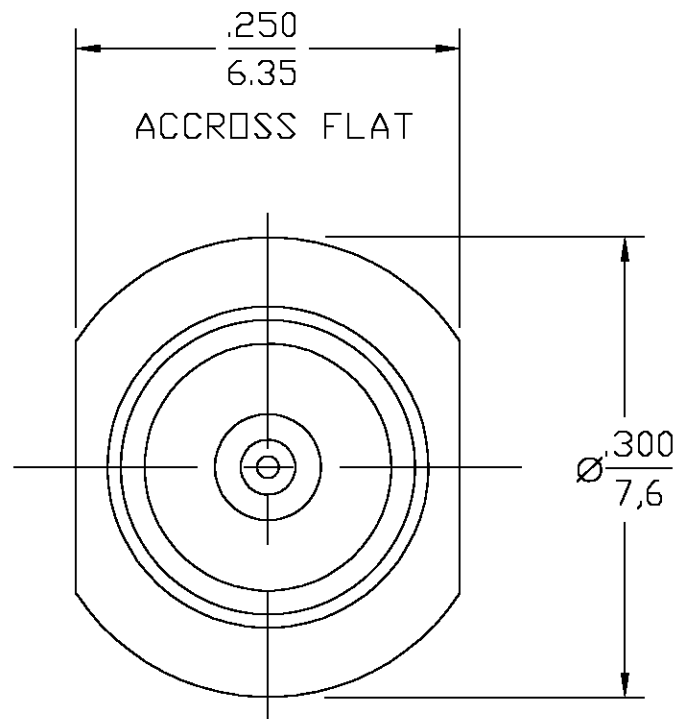


THIS DRAWING IS UNPUBLISHED. RELEASED FOR PUBLICATION
 © COPYRIGHT BY TYCO ELECTRONICS CORPORATION. ALL RIGHTS RESERVED.

LOC	DIST	REVISIONS					
HC	00	P	LTR	DESCRIPTION	DATE	DWN	APVD
			A	RELEASE	6/6/03	-	DCam



- NOTES:
1. FREQUENCY RANGE: DC TO 18 GHz
 2. VSWR: 1.05 +.005 f(GHz)
 3. INSERTION LOSS: .06 √f(GHz)
 4. CAPTURED CENTER CONTACT

HOUSING	STAINLESS STEEL ASTM-A484 & ASTM-A582 TYPE 303	PASSIVATE PER QQ-P-35
CONTACT	BERYLLIUM COPPER PER ASTM-B-196, ALLOY C17300, COND H	GOLD PLATE PER MIL-G-45204
DIELECTRIC	PTFE FLUOROCARBON PER ASTM-D-4894	N/A
COMPONENT	MATERIAL	FINISH

1059716-1
PART NO

THIS DRAWING IS A CONTROLLED DOCUMENT.		DWN PVC	4/29/82	Tyco Electronics Corporation Norwood, MA 02062	
DIMENSIONS: INCHES / mm		CHK RAL	4/29/82		
		APVD JK	4/29/82	NAME BMA (OSP) PLUG TO SMA JACK ADAPTER (4582-2240-02)	
TOLERANCES UNLESS OTHERWISE SPECIFIED: 0 PLC ± - 1 PLC ± - 2 PLC ± - 3 PLC ± .005 4 PLC ± - ANGLES ± 1		PRODUCT SPEC		SIZE	CAGE CODE
MATERIAL	FINISH	APPLICATION SPEC		DRAWING NO	RESTRICTED TO
-	-	WEIGHT	-	A3 00779	©-1059716
CUSTOMER DRAWING				SCALE	SHEET
				8:1	1 OF 1
				REV	A

单击下面可查看定价，库存，交付和生命周期等信息

[>>TE Connectivity\(泰科\)](#)