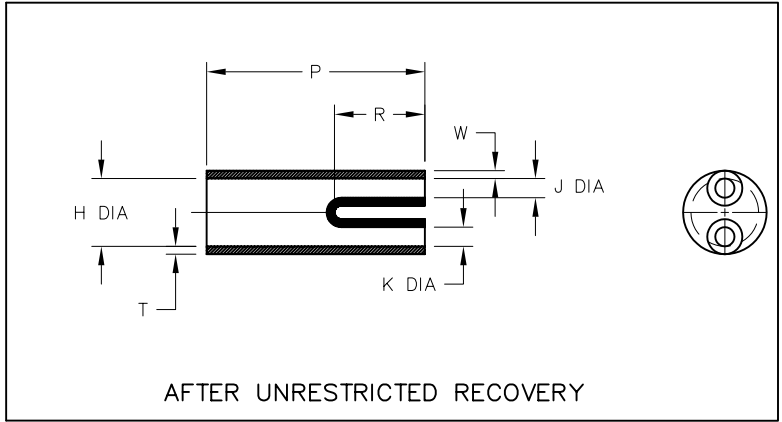
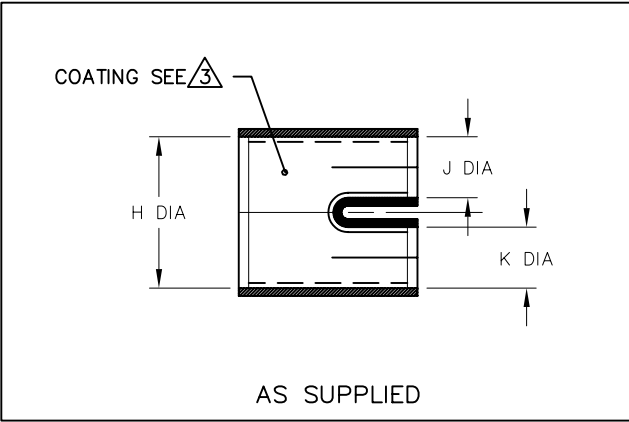


REVISIONS		
LTR	DESCRIPTION	DATE
A	ECO-09-016592	07/15/2009

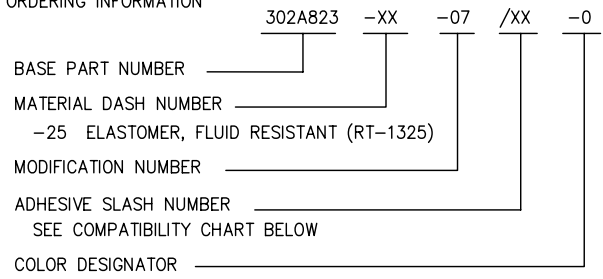


**NOTES**

- ALL DIMENSIONS ARE IN  $\frac{\text{INCHES}}{\text{[MILLIMETERS]}}$
- DIMENSIONS APPEARING IN TABLE ARE AS FOLLOWS:
  - a - AS SUPPLIED
  - b - AFTER UNRESTRICTED RECOVERY

**3** COATING (ADHESIVE): IS OPTIONAL AS SUPPLIED DIMENSIONS APPEARING IN TABLE ARE FOR UNCOATED PARTS. WHEN COATING IS ADDED, ENTRY DIAMETER WILL BE REDUCED BY .06 MAX.

**4. ORDERING INFORMATION**



PART DESCRIPTION	H		J & K		P	R	T	W
	MIN	MAX	MIN	MAX	±10%	±10%	±20%	±20%
	a	b	a	b	b	b	b	b
302A823-XX-07	$\frac{1.20}{[30,1]}$	$\frac{.60}{[15,2]}$	$\frac{.50}{[12,7]}$	$\frac{.17}{[4,3]}$	$\frac{2.11}{[53,6]}$	$\frac{1.11}{[28,2]}$	$\frac{.14}{[3,6]}$	$\frac{.08}{[2,0]}$

If this document is printed it becomes uncontrolled. Check for the latest revision

**CUSTOMER DRAWING**

COMPATIBILITY CHART			UNLESS OTHERWISE SPECIFIED DIMENSIONS ARE IN INCHES. METRIC DIMENSIONS ARE IN BRACKETS. DECIMAL TOLERANCES .XXX ± 0.005 [0.13 mm] .XX ± 0.01 [0.25 mm] .X ± 0.1 [0.50 mm] ANGLE TOLERANCE .X ± 1 DEG.	DRAWN	APPROVED	 Raychem Molded Parts 305 Constitution Dr Menlo Park, CA 94025
MATERIAL DASH NO.	ADHESIVE (COATING) SLASH NO.	ADHESIVE (COATING) S NO.		YUNGUYEN	STRAN	
-25	/86; /225	S-1048; S-1206	THIRD ANGLE PROJECTION		TITLE <b>TRANSITION, 3 ENTRY</b>	
						SIZE B CODE IDENT. NO. 06090 DWG. NO. 302A823-XX-07
			© 2009 Tyco Electronics Corporation. All rights reserved.		DO NOT SCALE THIS DRAWING SHEET 1 OF 1	

单击下面可查看定价，库存，交付和生命周期等信息

[>>TE Connectivity\(泰科\)](#)