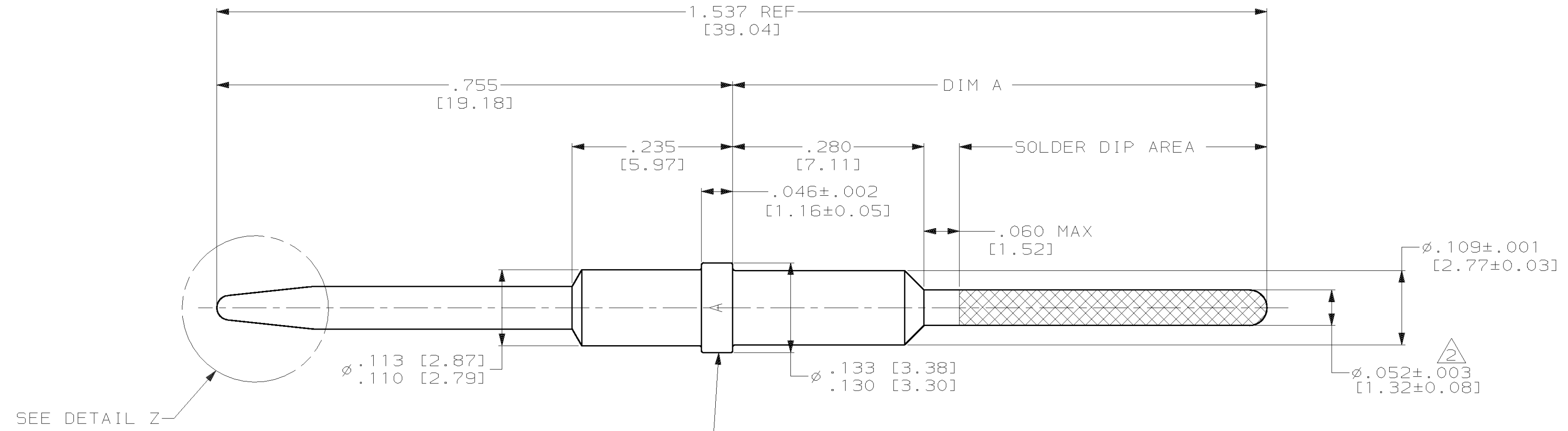


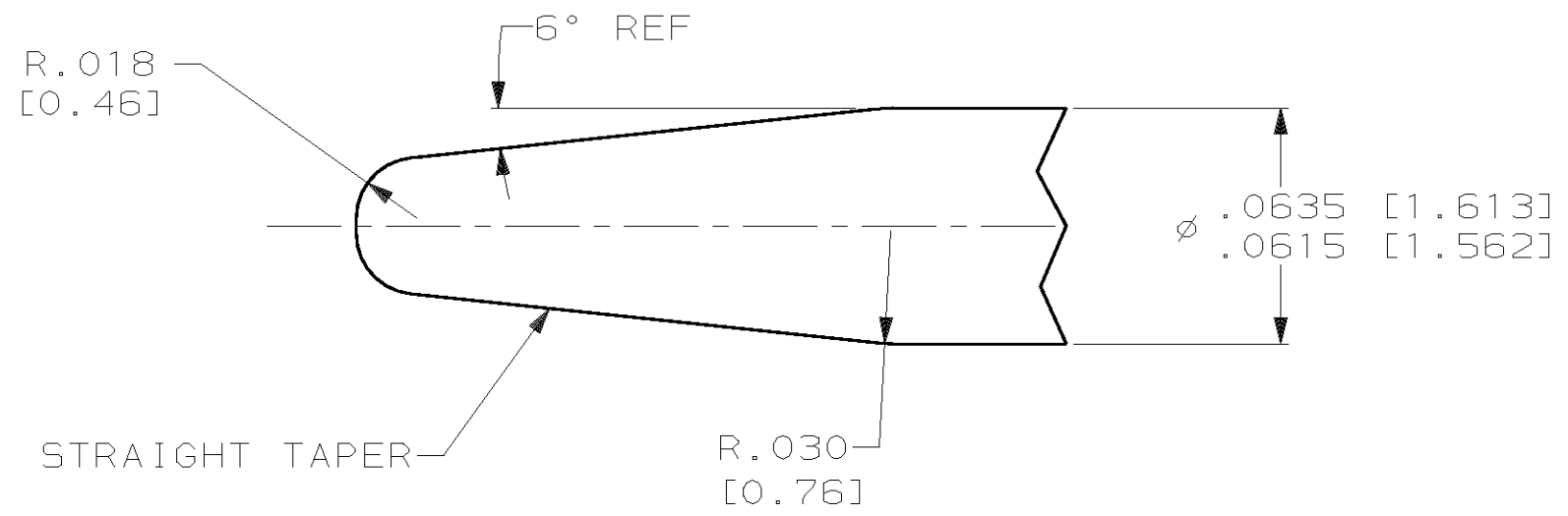
THIS DRAWING IS UNPUBLISHED. RELEASED FOR PUBLICATION
 BY AMP INCORPORATED, ALL RIGHTS RESERVED.

| LOC | | DIST | | REVISIONS | | | |
|-----|-----|----------------------|---------|-----------|------|--|--|
| P | LTR | DESCRIPTION | DATE | DWN | APVD | | |
| B | | REV PER 063D-0517-03 | 9-11-03 | JMK | SG | | |

- 1. FOR USE IN ARINC 600 REAR RELEASE INSERT.
- 2. DIMENSIONS APPLY BEFORE SOLDER DIP.



MAT'L: LEADED COPPER PER ASTM-B-301
 FINISH: PLATED GOLD .000050 [0.0012] MIN THK
 PER ASTM-B-488 OVER NICKEL .000050 [0.0012]
 MIN THK. PER QQ-N-290



| | | |
|--------------|------------|-------------|
| .522 [13.26] | NO | 1-1663128-0 |
| .652 [16.56] | NO | 1663128-8 |
| .635 [16.13] | YES | 1663128-6 |
| .635 [16.13] | NO | 1663128-5 |
| .782 [19.86] | YES | 1663128-3 |
| .782 [19.86] | NO | 1663128-2 |
| DIM A | SOLDER DIP | PART NUMBER |

| | | | | | | | | | | | | |
|--|--|--------------|---------------|----------|---|----|-----------|-------|------------|---------|---------------|---|
| THIS DRAWING IS A CONTROLLED DOCUMENT. | | DWN | C.C. THOMAS | 11-19-02 | TYCO Electronics Harrisburg, PA 17105-3608 | | | | | | | |
| DIMENSIONS: INCHES [mm] | | CHK | S. GLATFELTER | 11-19-02 | | | | | | | | |
| | | APVD | S. GLATFELTER | 11-19-02 | | | | | | | | |
| TOLERANCES UNLESS OTHERWISE SPECIFIED: 0 PLC ± 1 PLC ± 2 PLC ± 3 PLC ±.005 [0.13] 4 PLC ± ANGLES ± | | PRODUCT SPEC | - | | | | | | | | | |
| MATERIAL: SEE CALLOUT | | FINISH | SEE CALLOUT | | APPLICATION SPEC | - | | | | | | |
| CUSTOMER DRAWING | | WEIGHT | - | | SIZE | A2 | CAGE CODE | 00779 | DRAWING NO | 1663128 | RESTRICTED TO | - |
| | | SCALE | | 8:1 | SHEET | | 1 | OF | 1 | REV | B | |

单击下面可查看定价，库存，交付和生命周期等信息

[>>TE Connectivity\(泰科\)](#)