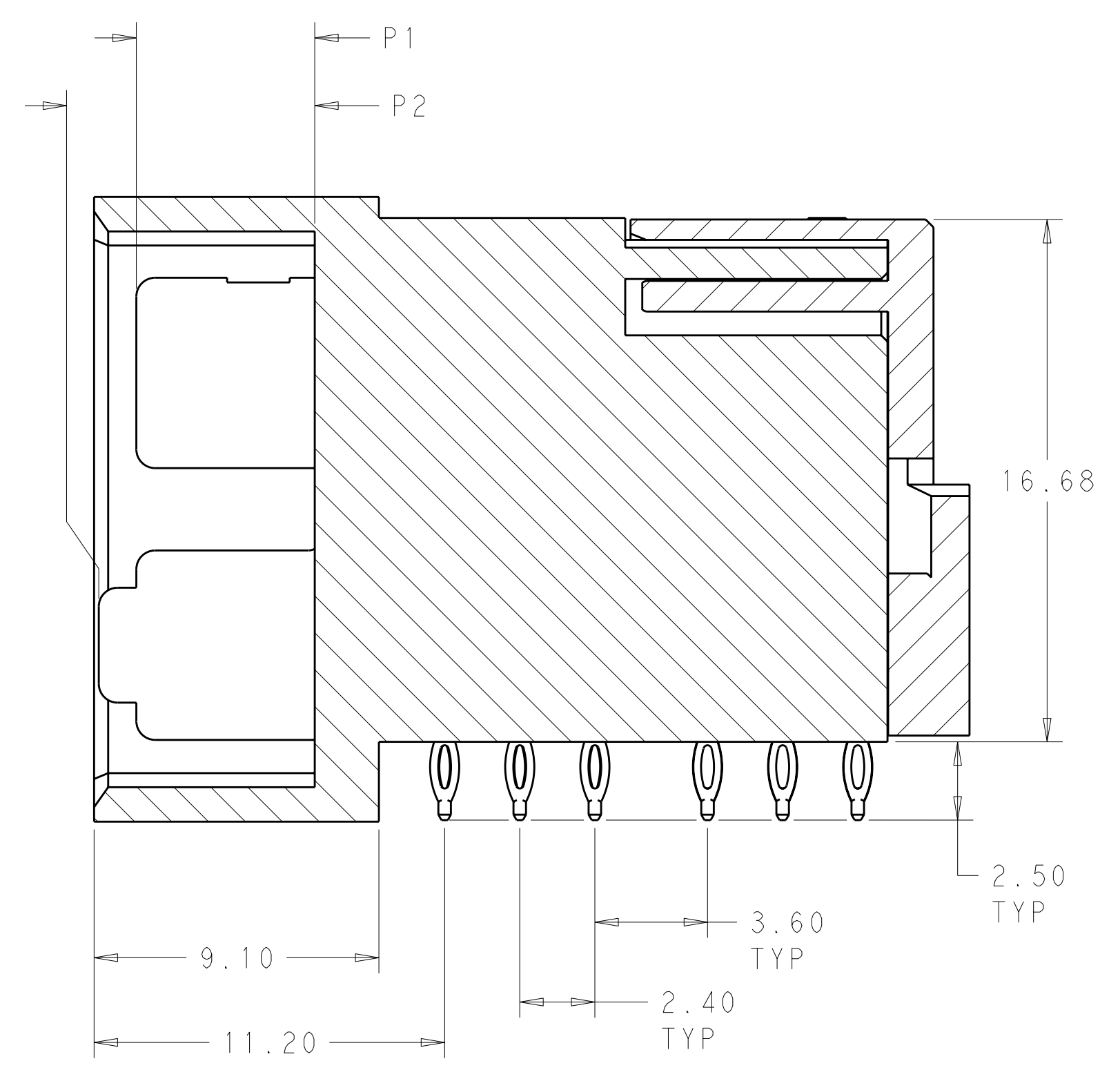
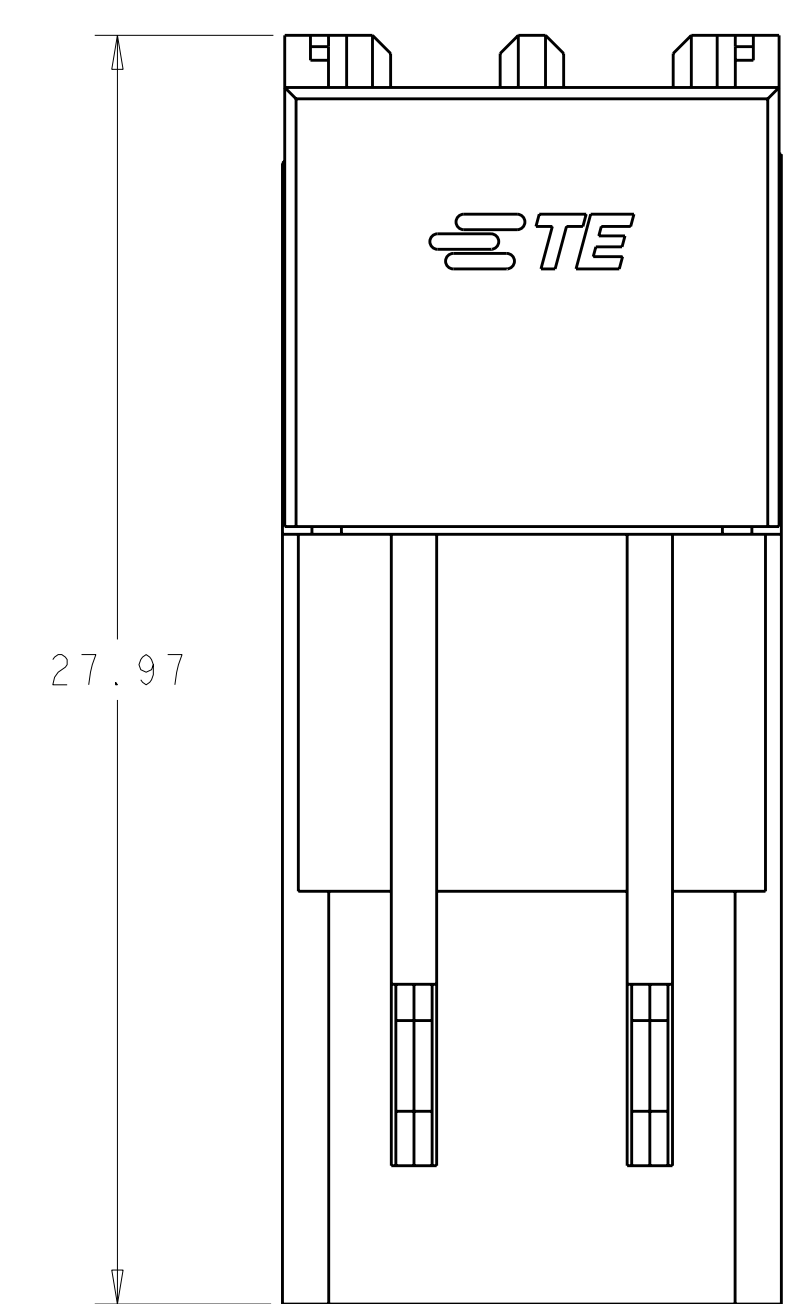
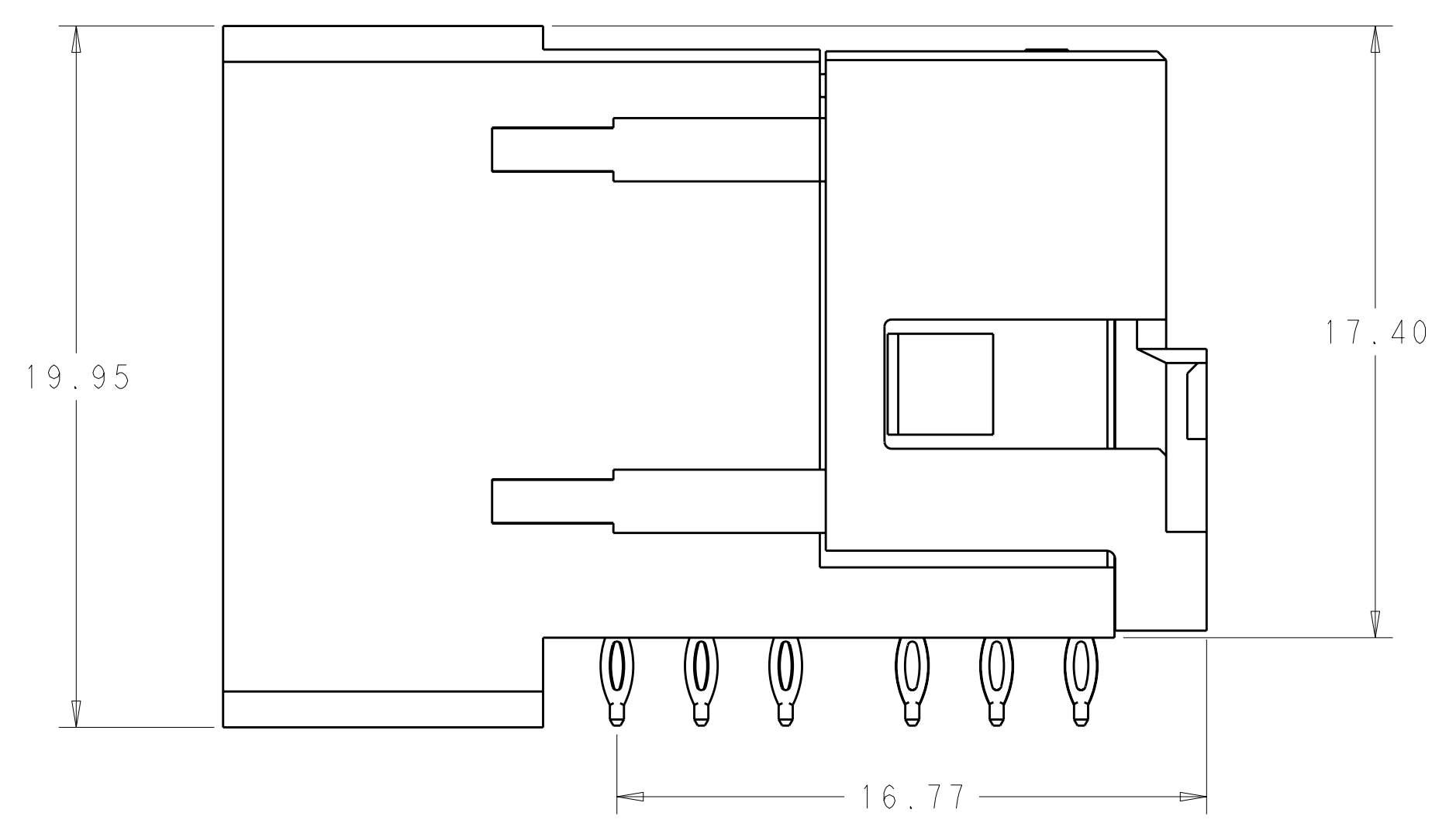
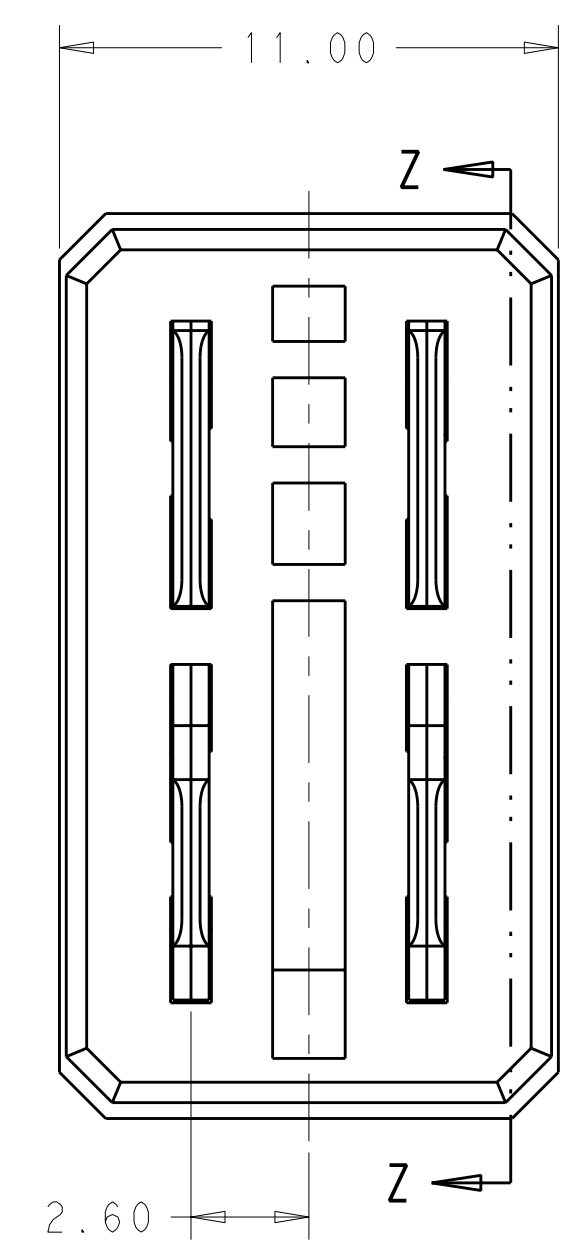


LOC	DIST	REV	DATE	BY	CHK	APPD
-	-	A	29FEB2012	LW	SZ	
-	-	A1	09APR2012	LW	CW	
-	-	A2	12JUN2012	LW	AC	



SECTION Z-Z
SCALE 6:1



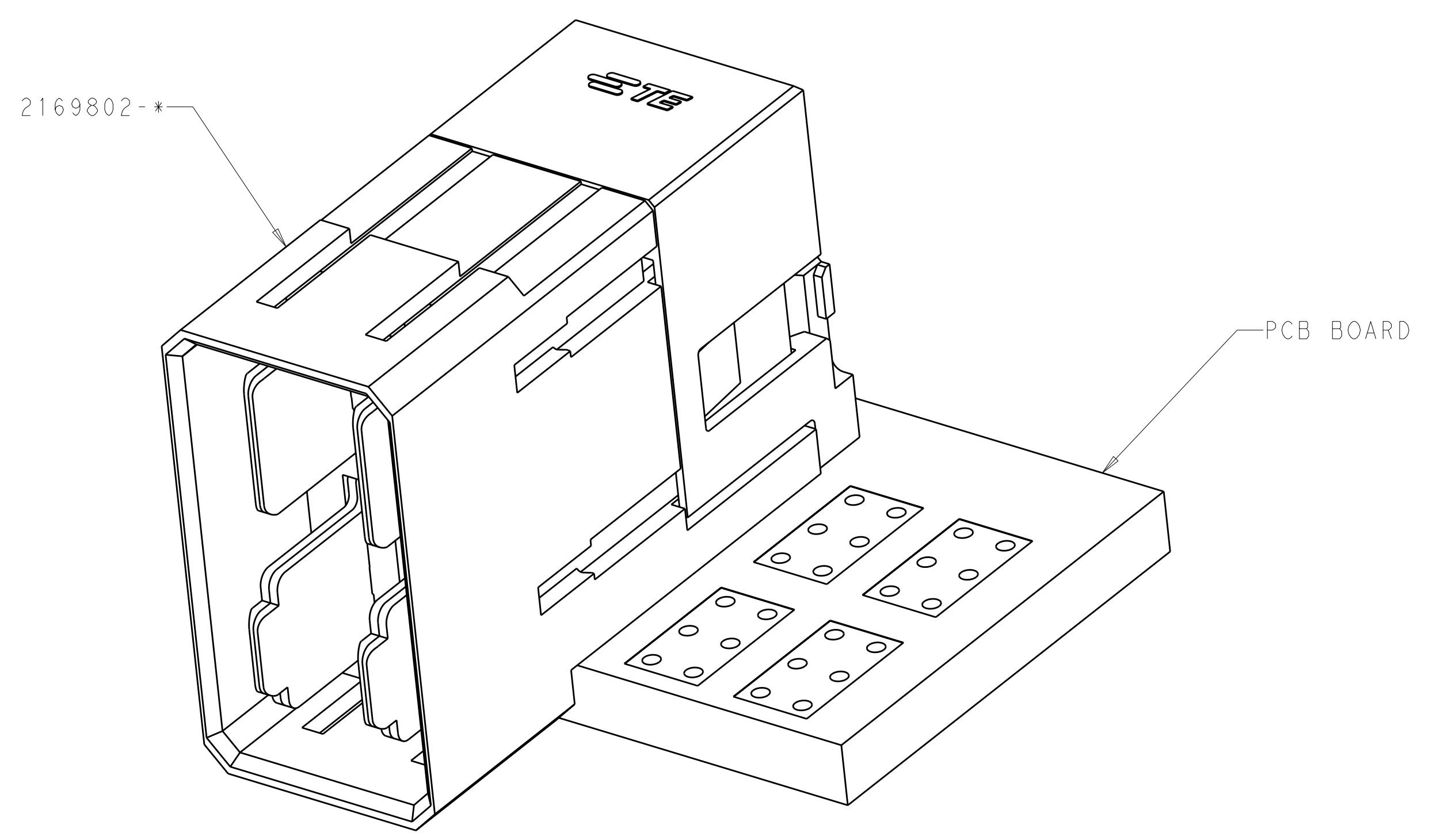
- NOTES:
- MATERIALS:
HOUSING: HIGH TEMP. THERMOPLASTIC GLASS/MINERAL FILLED UL94V-0
TERMINAL: COPPER ALLOY
 - FINISH:
TIN OPTION- 0.76um MINIMUM GOLD AT CONTACT AREA
2.54um MINIMUM NICKEL UNDERPLATED OVER ALL
TIN AT TAIL AREA
TIN-LEAD OPTION- 0.76um MINIMUM GOLD AT CONTACT AREA
2.54um MINIMUM NICKEL UNDERPLATED OVER ALL
TIN-LEAD AT TAIL AREA
 - PCB NOTE FOR DIAMETER 0.725MM PLATED HOLE.
-DRILLED HOLE SIZE IS 0.838MM
-PLATED WITH 0.007MM MIN. TIN OVER
0.03 TO 0.08MM COPPER UNDERPLATE TO ACHIEVE
0.725±0.075MM HOLE.
 - CONNECTOR WERE PACKED BY TRAY
 - REFER TO TE'S PRODUCT SPECIFICATION: 108-2473 FOR TORQUE FORCE AND RETENTION FORCE
 - MATED WITH 2169809-*
 - PART NUMBER AND DATE CODE AT ASSEMBLY AREA AS APPROXIMATE SHOWN.
ALSO CAN BE OPPOSITE SIDE
 - THERE ARE TWO TYPES OPTION ONE TYPE WITH DOVETAIL ANOTHER WITHOUT DOVETAIL
 - COMPONENT PLACEMENT ZONE

TRAY	TIN PLATING	NO DOVE TAIL	WITH DOVE TAIL	P1	P2	PART NUMBER
				6.90	6.90	2169802-1
				5.70	5.70	2169802-2
				6.90	5.70	2169802-3
				5.70	6.90	2169802-4
				6.90	6.90	2169802-5
				5.70	5.70	2169802-6
				6.90	5.70	2169802-7
				5.70	6.90	2169802-8
				6.90	6.90	5-2169802-1
				5.70	5.70	5-2169802-2
				6.90	5.70	5-2169802-3
				5.70	6.90	5-2169802-4
				6.90	6.90	5-2169802-5
				5.70	5.70	5-2169802-6
				6.90	5.70	5-2169802-7
				5.70	6.90	5-2169802-8

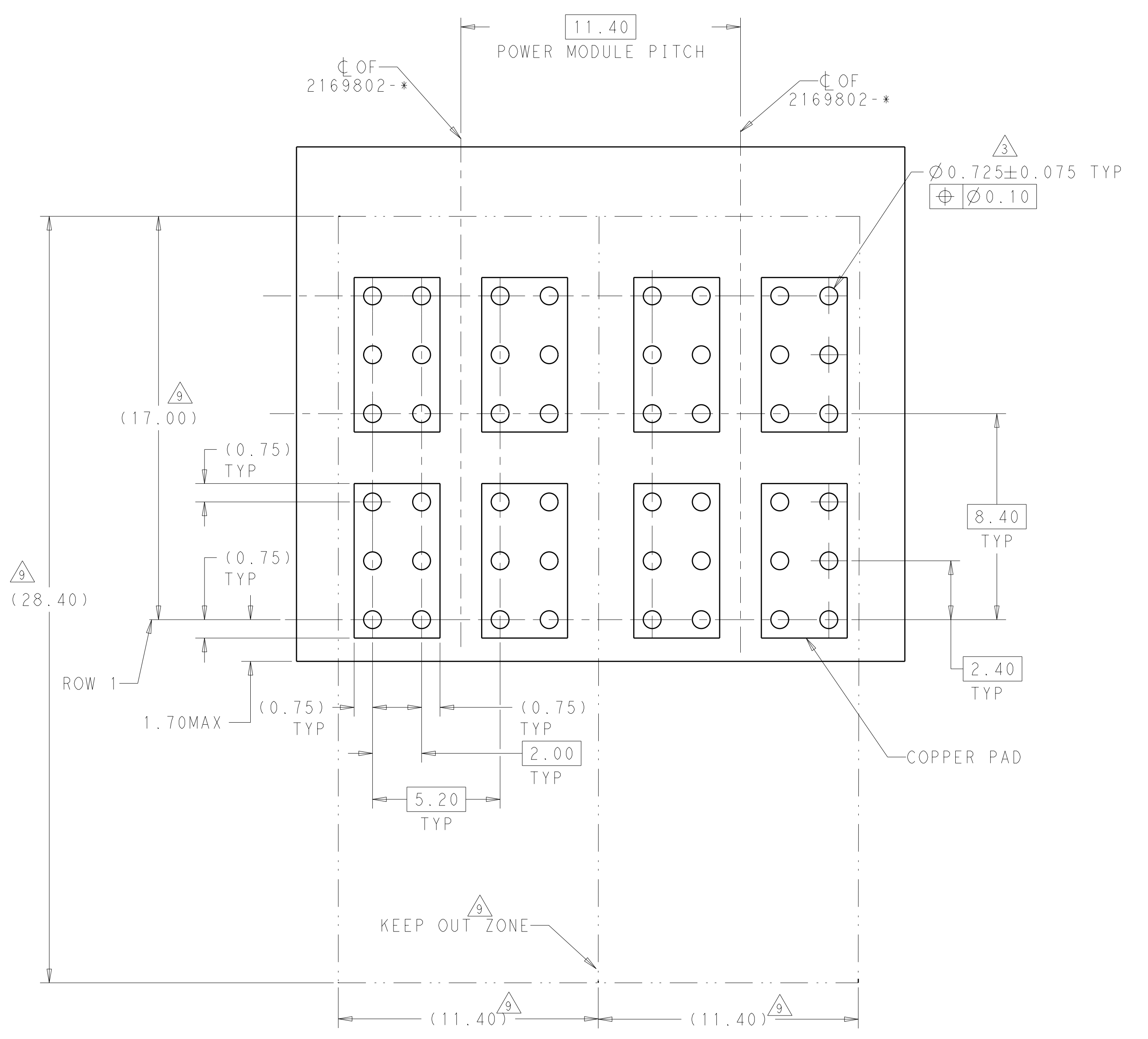
OBSOLETE

DIMENSIONS: mm 9 PLC ±.1 1 PLC ±.1 2 PLC ±.1 3 PLC ±.1 4 PLC ±.1 ANGLES ±.1°		TOLERANCES UNLESS OTHERWISE SPECIFIED: ±.1 ±.05 ±.02 ±.01		DWN LERRY WANG 05MAY2011 CHK SUNY ZHAO 05MAY2011 APPD SUNY ZHAO 05MAY2011		NAME ASSEMBLY IMPACT POWER 4PAIR R/A HEADER PRESS-FIT	
MATERIAL: - FINISH: 2		PRODUCT SPEC: 108-2473 APPLICATION SPEC: 114-32028		SIZE: A1 CAGE CODE: 00779 DRAWING NO: C=2169802		RESTRICTED TO: - SCALE: 6:1 SHEET: 1 OF 2 REV: A2	

LOC	DIST	REV	DATE	BY	APPD
-	-	1	SEE SHEET 1	-	-

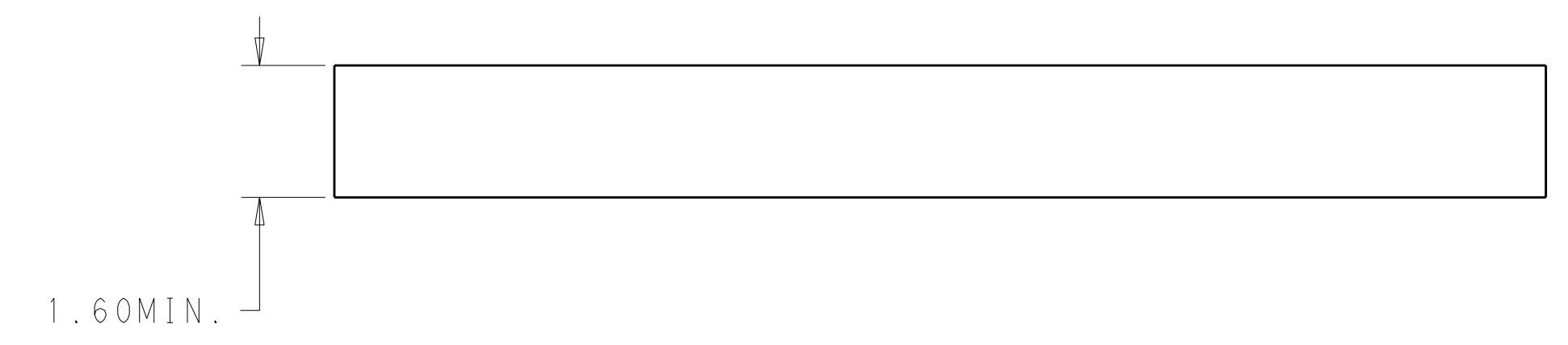
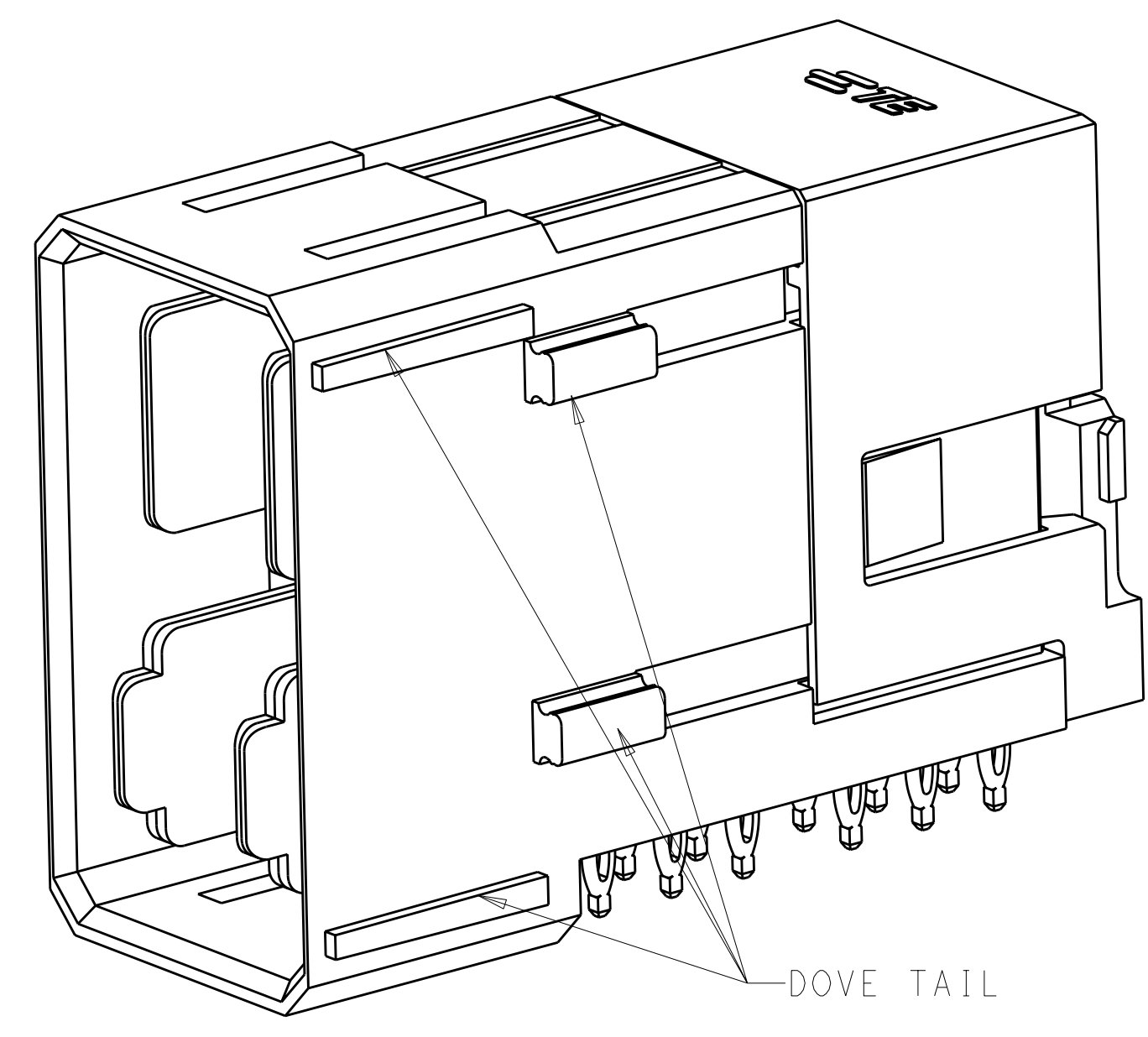
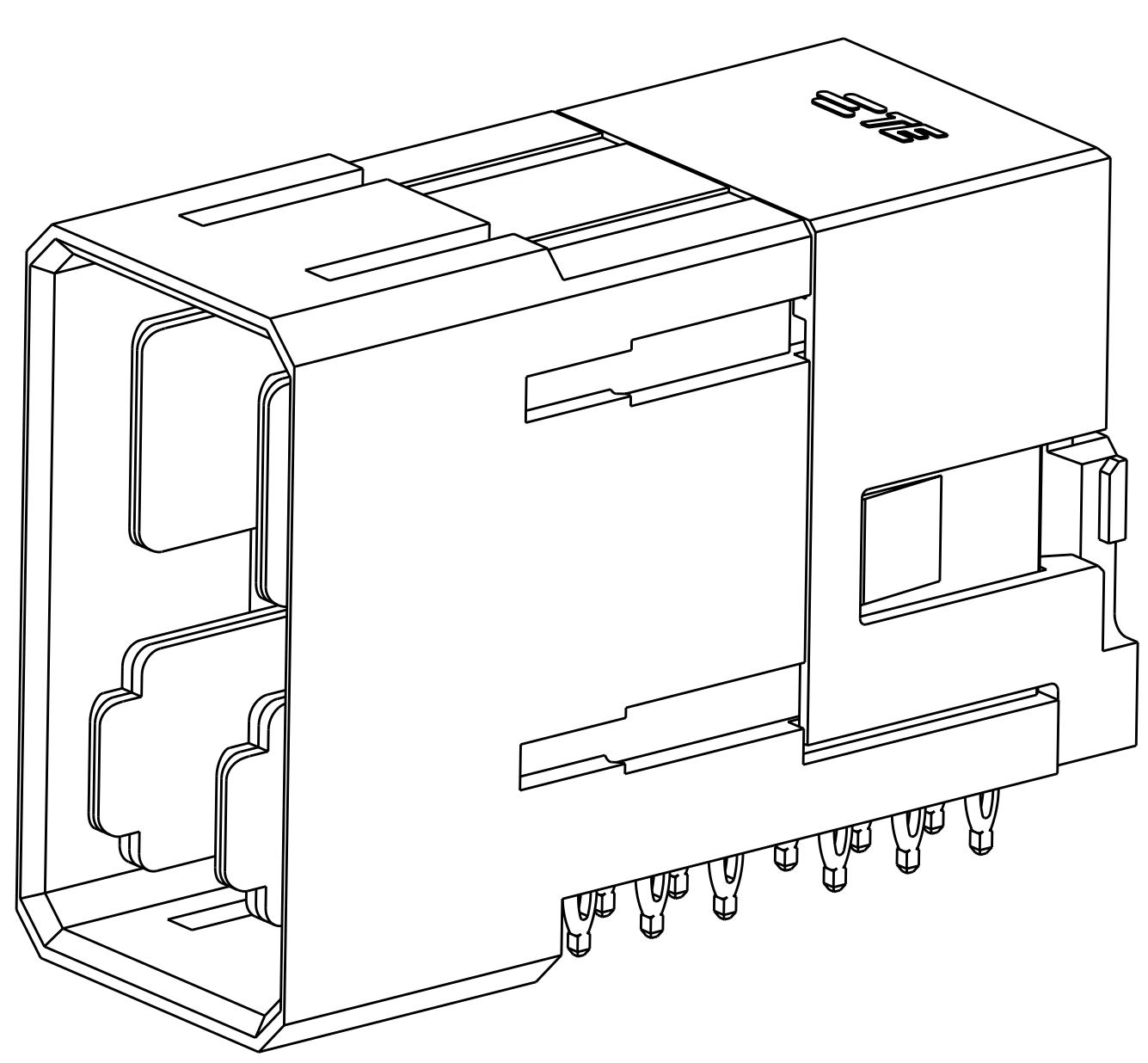


CONNECTOR MATED WITH PCB



NO DOVETAIL $\triangle 8$

WITH DOVETAIL $\triangle 8$



PCB LAYOUT FOR 4PAIR R/A HEADER POWER MODULE
(COMPONENT SIDE SHOWN)

DIMENSIONS: mm 		TOLERANCES UNLESS OTHERWISE SPECIFIED: 9 PLC ±.1 1 PLC ±.15 3 PLC ±0.25 4 PLC ±.1 ANGLES ±.5°		DWN LERRY WANG 05MAY2011 CHK SUNY ZHAO 05MAY2011 APVD SUNY ZHAO 05MAY2011 NAME PRODUCT SPEC 108-2473 APPLICATION SPEC 114-32028 WEIGHT CUSTOMER DRAWING		REVISIONS DATE DWN APPD	
MATERIAL FINISH		SCALE 6:1 SHEET 2 OF 2 REV A2		SIZE CAGE CODE DRAWING NO A1 00779 C=2169802		RESTRICTED TO	

单击下面可查看定价，库存，交付和生命周期等信息

[>>TE Connectivity\(泰科\)](#)