

THIS DRAWING IS UNPUBLISHED.

RELEASED FOR PUBLICATION

© COPYRIGHT - By -

ALL RIGHTS RESERVED.

REVISIONS

P	LTR	DESCRIPTION	DATE	DWN	APVD
	A3	PART STATUS UPDATED	11JAN2018	RK	PS

MATERIALS:

HOUSING: PA66, UL94V-0, COLOR: GREEN.
 CONTACT: PHOS BRONZE, TIN PLATED.
 WIRE GUARD: STEEL, ZINC CHROMATE.
 CAGE CLAMP: STEEL, ZINC CHROMATE.
 SCREW: STEEL, ZINC PLATED.

ELECTRICAL:

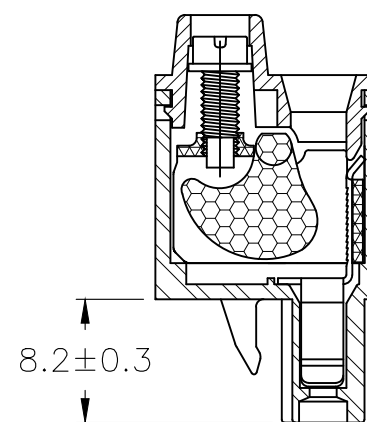
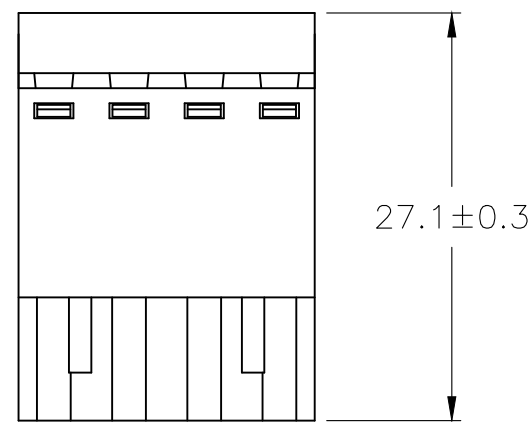
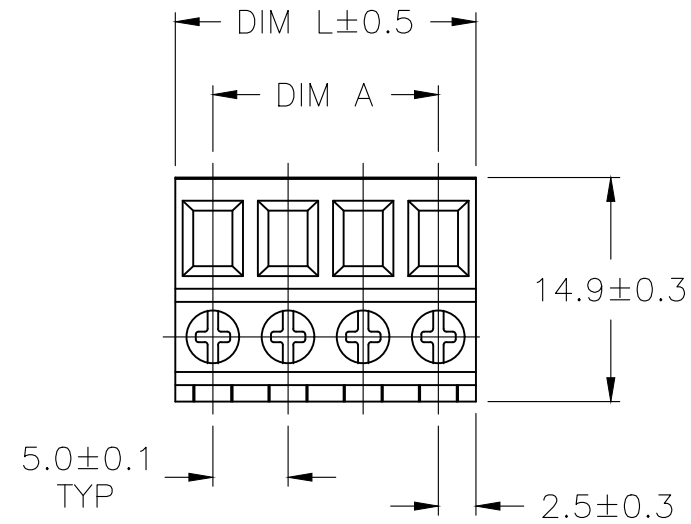
VOLTAGE RATING: 300V.
 CURRENT RATING: 16A.
 INSULATION RESISTANCE 2000Mohm/DC500V.
 WITHSTANDING VOLTAGE AC2000V MIN
 WIRE RANGE: 14-24 AWG

MECHANICAL:

SCREW TORQUE: 4.5 IN-LB
 WIRE STRIP LENGTH: 10mm

ENVIRONMENTAL:

WORKING TEMP.: -40°C TO +105°C.



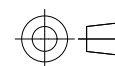
OBSOLETE	60.0	55.00	12	1-1986300-2
	55.0	50.00	11	1-1986300-1
	50.0	45.00	10	1-1986300-0
	45.0	40.00	9	1986300-9
OBSOLETE	40.0	35.00	8	1986300-8
	35.0	30.00	7	1986300-7
	30.0	25.00	6	1986300-6
	25.0	20.00	5	1986300-5
OBSOLETE	20.0	15.00	4	1986300-4
	15.0	10.00	3	1986300-3
	10.0	5.00	2	1986300-2
	DIM L	DIM A	NO OF POS	PART NUMBER

THIS DRAWING IS A CONTROLLED DOCUMENT.

DWN S SCHLEGEL 27NOV2007

DIMENSIONS: mm

TOLERANCES UNLESS OTHERWISE SPECIFIED:



0 PLC	± -
1 PLC	± 0.2
2 PLC	± 0.10
3 PLC	± -
4 PLC	± -
ANGLES	± 1'

MATERIAL

FINISH

CHK C RICHARD 11/28/07

APVD C RICHARD 11/28/07

PRODUCT SPEC

APPLICATION SPEC

WEIGHT

CUSTOMER DRAWING



NAME
 TERMINAL BLOCK, PLUG, 5.0mm PITCH

SIZE CAGE CODE DRAWING NO RESTRICTED TO

A3 00779 C-1986300

SCALE NTS SHEET 1 OF 1 REV A3

单击下面可查看定价，库存，交付和生命周期等信息

[>>TE Connectivity\(泰科\)](#)