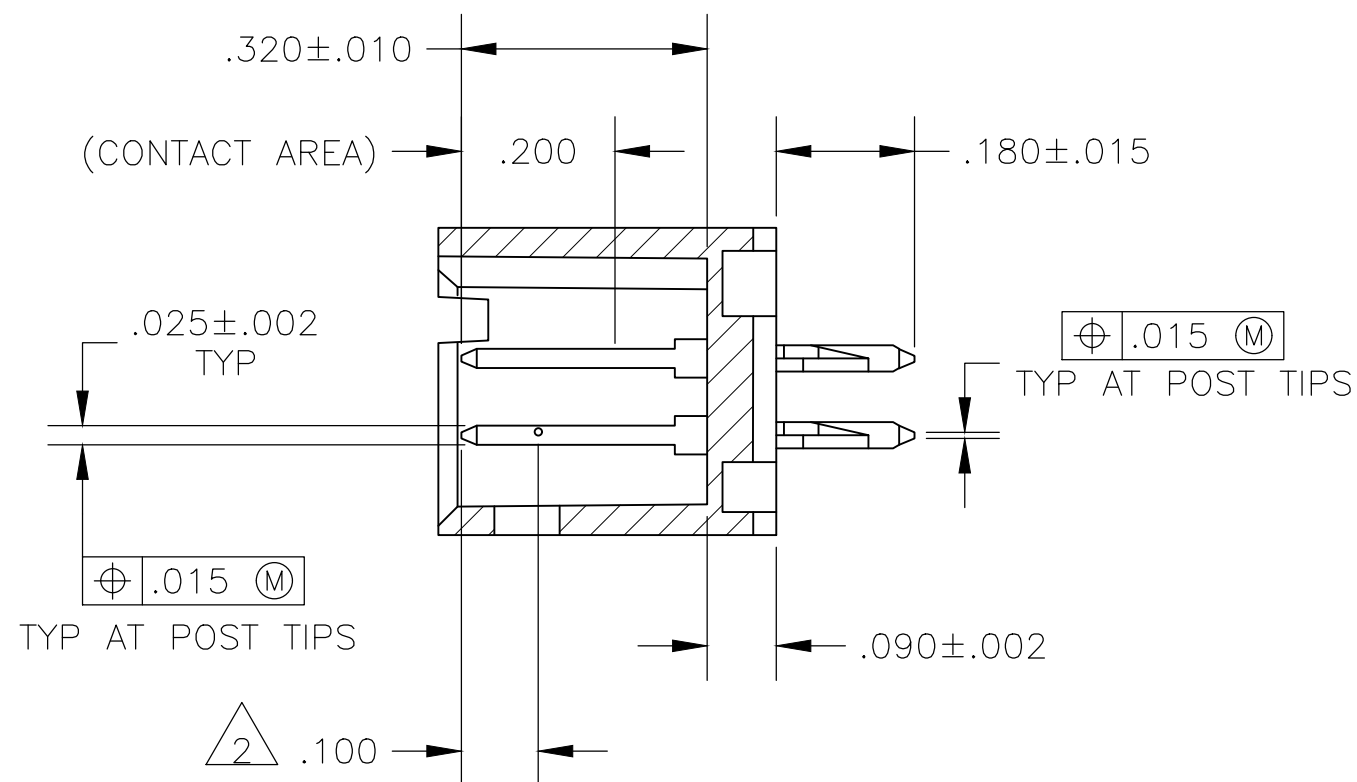
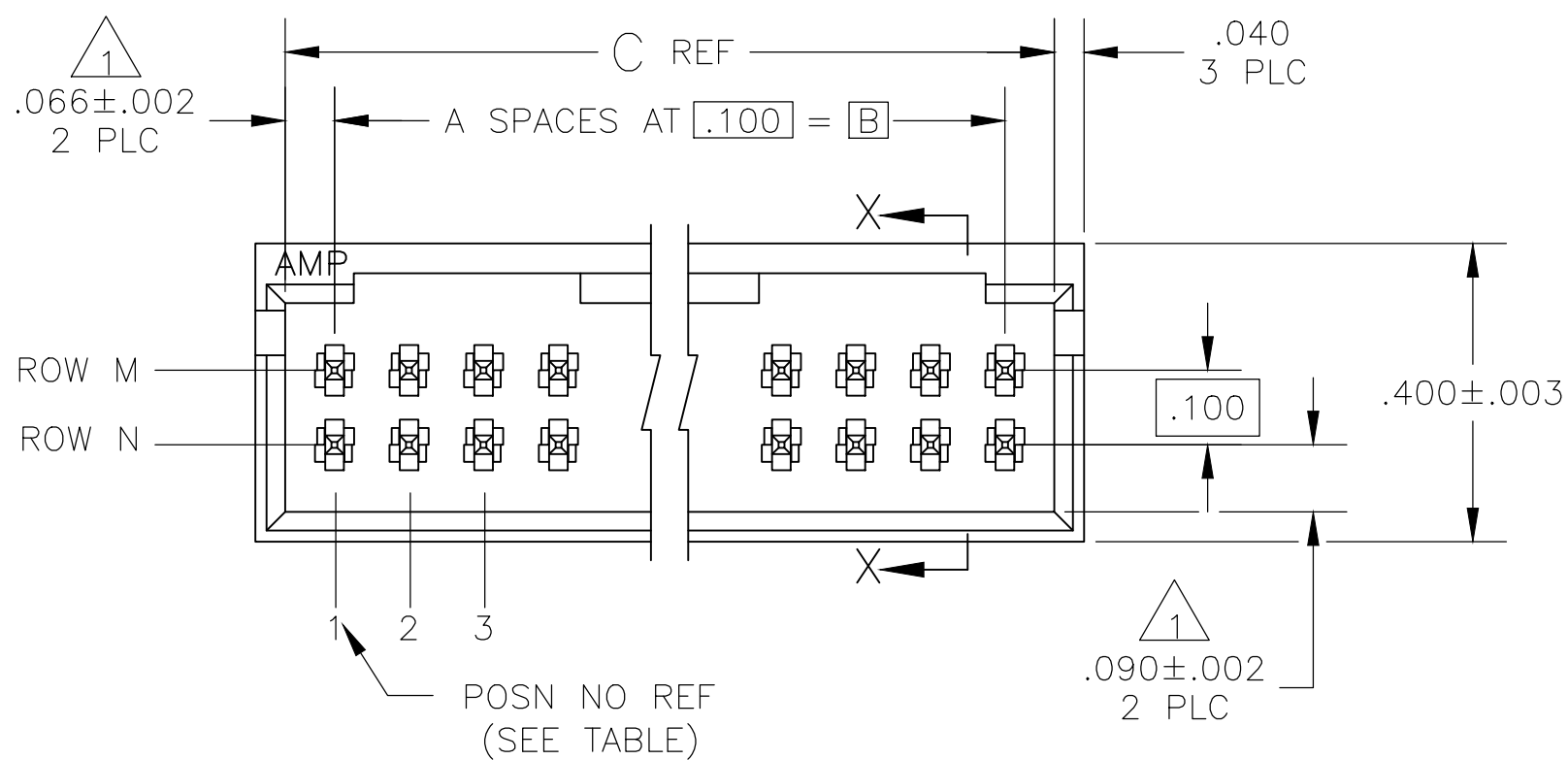
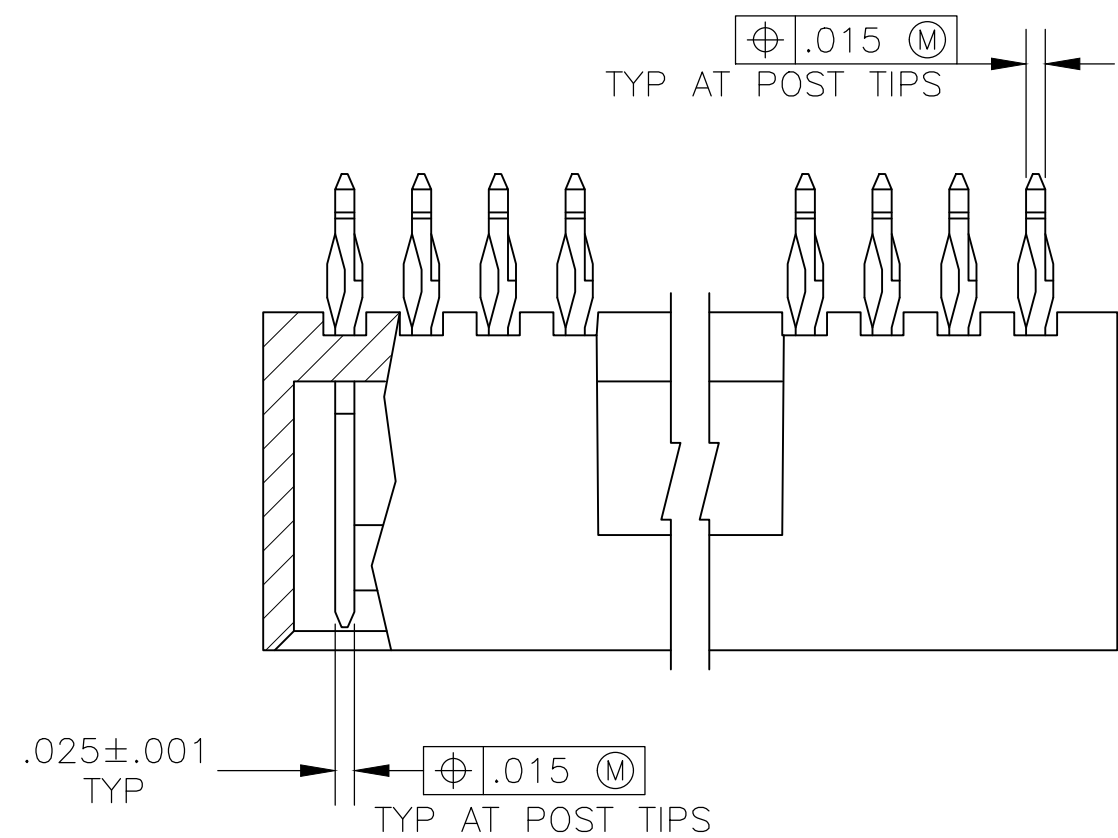
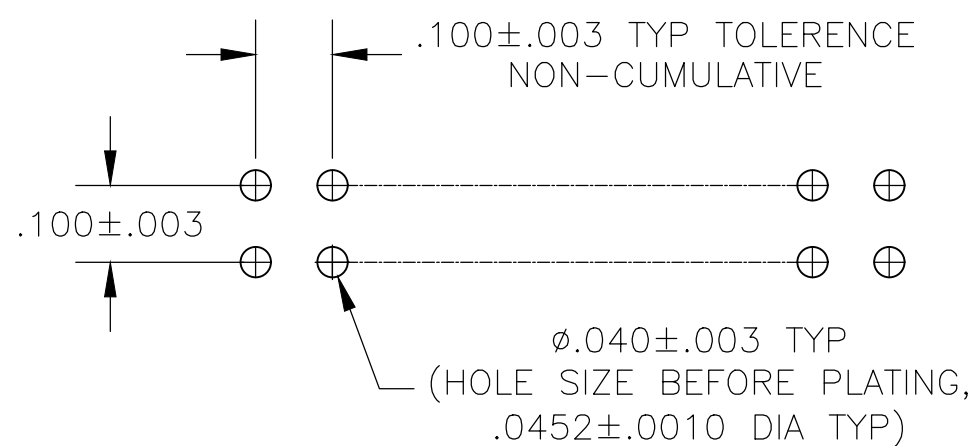
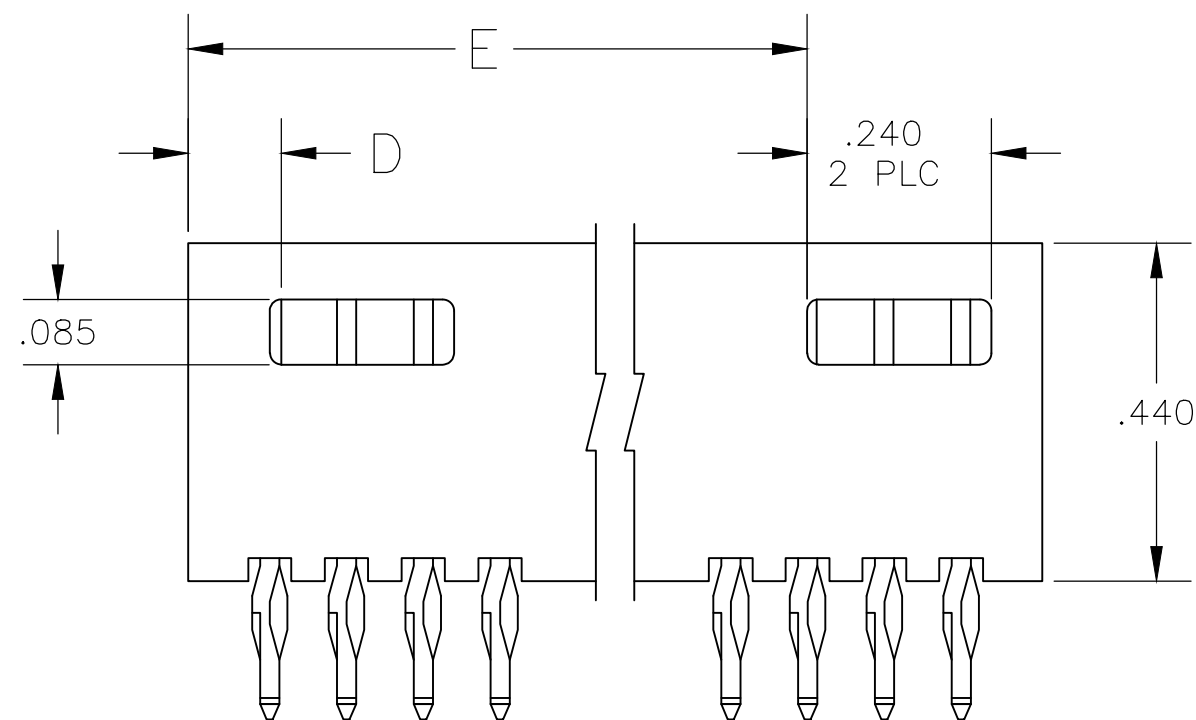


REVISIONS					
P	LTR	DESCRIPTION	DATE	DWN	APVD
C1		PART STATUS UPDATED IN PART LIST TABLE	16FEB2018	SD	PS

- 1 THE NOTED DIMENSIONS APPLY AT THE INTERSECTION OF THE POST AND HOUSING.
- 2 POINT OF MEASUREMENT FOR PLATING THICKNESS.
- 3 FINISH: POSTS: 0.000030 GOLD ON CONTACT AREA, .000100 TO 0.000200 BRIGHT TIN LEAD ON SOLDER TAIL, ALL OVER .000050 NICKEL.
- 4 FINISH: POSTS: 0.000030 GOLD ON CONTACT AREA, .000100 TO 0.000200 MATTE TIN ON SOLDER TAIL, ALL OVER .000050 NICKEL.
- 5 OBSOLETE



SECTION X-X



RECOMMENDED HOLE LAYOUT

PLATING	ROW M	ROW N	E	D	C	B	A	NO OF POSN.	ASSEMBLY PART NUMBER
4	NONE	2	-	.106	.432	.300	3	8	5-1571731-1
3	NONE	2	-	.106	.432	.300	3	8	-1571731-1

THIS DRAWING IS A CONTROLLED DOCUMENT.

DWN	R BROWN	100CT03
CHK	J GESFORD	100CT03
APVD	J GESFORD	100CT03

TE Connectivity

HDR ASSY, MOD II, COMPLIANT  
 PIN, DR, .100 X .100 CL  
 4 SIDED SHROUD, SELECT LOAD

SIZE	A2	CAGE CODE	00779	DRAWING NO	C=1571731
WEIGHT	-	SCALE	4:1	SHEET	1 of 1
CUSTOMER DRAWING		REV	C1		

单击下面可查看定价，库存，交付和生命周期等信息

[>>TE Connectivity\(泰科\)](#)