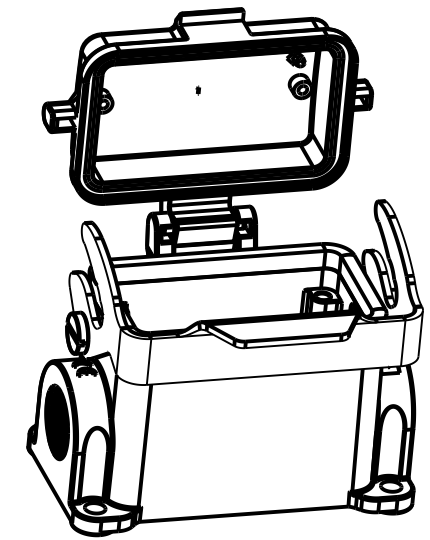
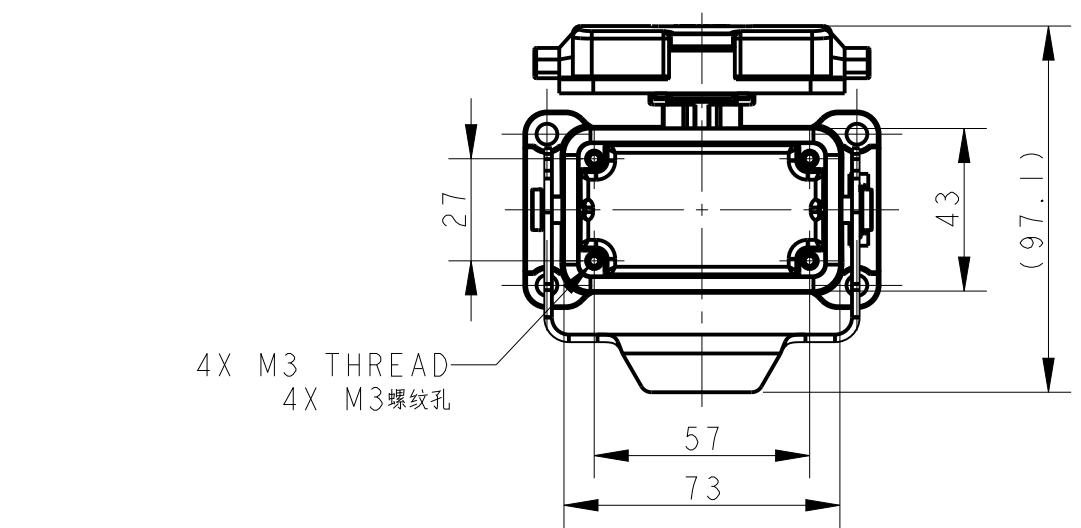


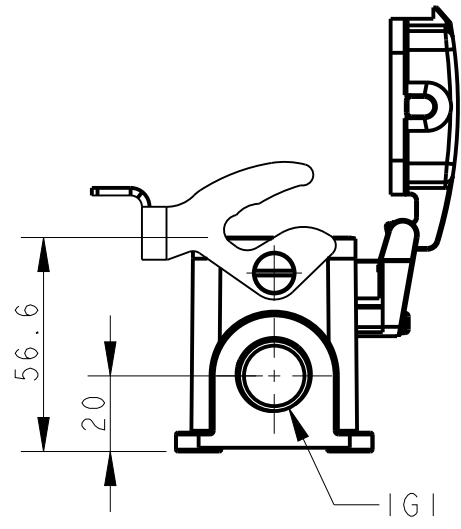
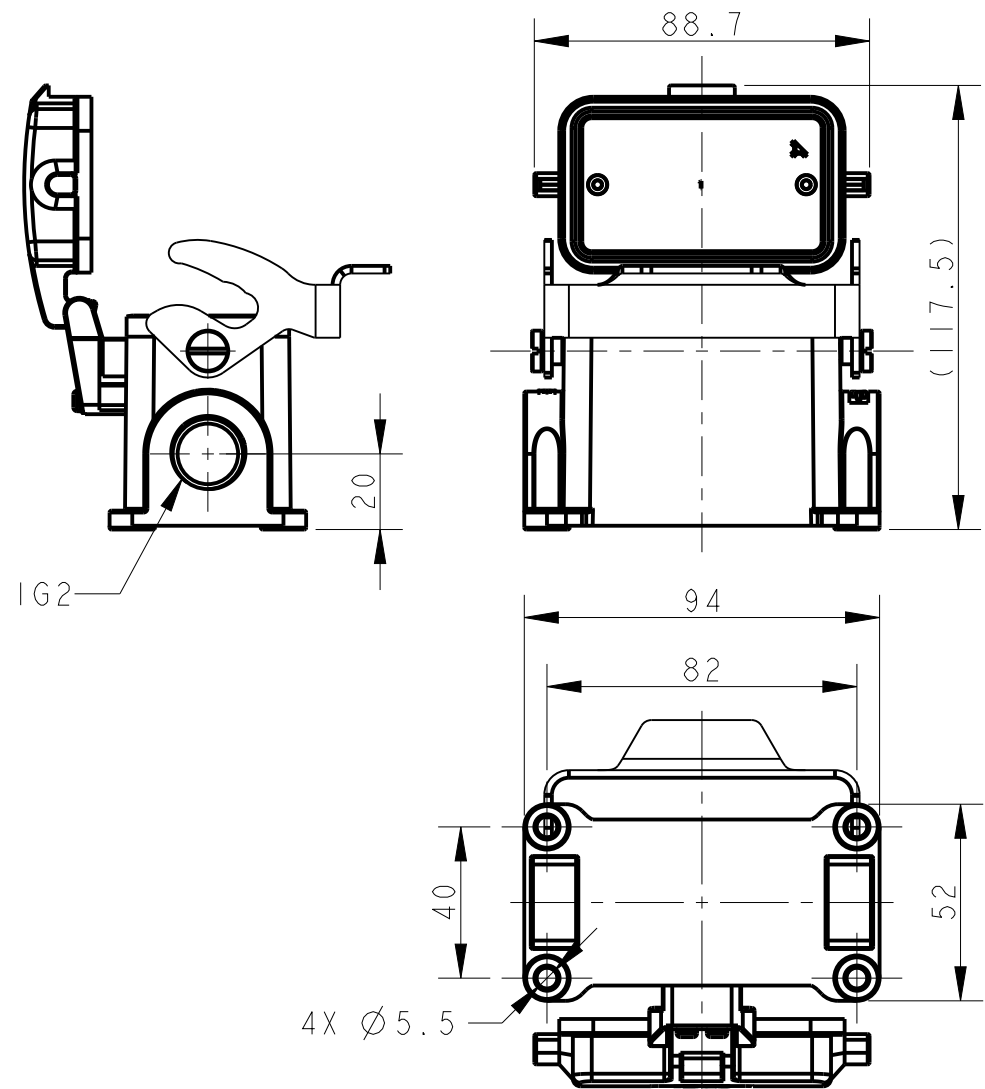
THIS DRAWING IS UNPUBLISHED. RELEASED FOR PUBLICATION 20  
 © COPYRIGHT 20 BY - ALL RIGHTS RESERVED.

| REVISIONS |     |                 |           |     |      |
|-----------|-----|-----------------|-----------|-----|------|
| P         | LTR | DESCRIPTION     | DATE      | DWN | APVD |
| A         |     | INITIAL RELEASE | 25JUN2015 | DL  | CW   |
| AI        |     | ECR-18-017123   | 17DEC2018 | KW  | CW   |
| B         |     | ECR-20-008181   | 16JUL2020 | WQR | CW   |



NOTES:  
 1. TECHNICAL CHARACTERISTICS:  
 BODY MATERIAL: DIE CAST ALUMINIUM ALLOY  
 SURFACE TREATMENT: POWDER-COATED, GRAY  
 DEGREE OF PROTECTION: IP65 (MATED)

注释:  
 1. 技术参数:  
 主体材料: 铝合金  
 表面处理: 粉末喷涂, 灰色  
 防护等级: IP65(配合)



| PART NUMBER     | 料号                | PART DESCRIPTION   | 描述 | IG1<br>螺纹孔1 | IG2<br>螺纹孔2 | TYPE<br>类型 |
|-----------------|-------------------|--|----|-------------|-------------|------------|
| TI620103116-000 | H10B-SDR-LB-PG16  | H10B HOUSING,SURFACE MOUNTED,METAL SINGLE LOCKING,PG16, PLASTIC PROTECTION COVER,POWDER COATED,GREY<br>H10B下壳,表面安装,彩锌单扣,PG16,带塑料保护盖,灰色粉末喷涂   |    | PG16        | -           |            |
| TI620103120-000 | H10B-SDR-LB-M20   | H10B HOUSING,SURFACE MOUNTED,METAL SINGLE LOCKING,M20, PLASTIC PROTECTION COVER,POWDER COATED,GREY<br>H10B下壳,表面安装,彩锌单扣,M20,带塑料保护盖,灰色粉末喷涂     |    | M20         | -           |            |
| TI620103121-000 | H10B-SDR-LB-PG21  | H10B HOUSING,SURFACE MOUNTED,METAL SINGLE LOCKING,PG21, PLASTIC PROTECTION COVER,POWDER COATED,GREY<br>H10B下壳,表面安装,彩锌单扣,PG21,带塑料保护盖,灰色粉末喷涂   |    | PG21        | -           |            |
| TI620103125-000 | H10B-SDR-LB-M25   | H10B HOUSING,SURFACE MOUNTED,METAL SINGLE LOCKING,M25, PLASTIC PROTECTION COVER,POWDER COATED,GREY<br>H10B下壳,表面安装,彩锌单扣,M25,带塑料保护盖,灰色粉末喷涂     |    | M25         | -           | TYPE I     |
| TI620103216-000 | H10B-SDR-LB-2PG16 | H10B HOUSING,SURFACE MOUNTED,METAL SINGLE LOCKING,2PG16, PLASTIC PROTECTION COVER,POWDER COATED,GREY<br>H10B下壳,表面安装,彩锌单扣,2PG16,带塑料保护盖,灰色粉末喷涂 |    | PG16        | PG16        |            |
| TI620103220-000 | H10B-SDR-LB-2M20  | H10B HOUSING,SURFACE MOUNTED,METAL SINGLE LOCKING,2M20, PLASTIC PROTECTION COVER,POWDER COATED,GREY<br>H10B下壳,表面安装,彩锌单扣,2M20,带塑料保护盖,灰色粉末喷涂   |    | M20         | M20         |            |
| TI620103225-000 | H10B-SDR-LB-2M25  | H10B HOUSING,SURFACE MOUNTED,METAL SINGLE LOCKING,2M25, PLASTIC PROTECTION COVER,POWDER COATED,GREY<br>H10B下壳,表面安装,彩锌单扣,2M25,带塑料保护盖,灰色粉末喷涂   |    | M25         | M25         |            |

TYPE I: H10B HOUSING,SURFACE MOUNTED,METAL SINGLE LOCKING, PLASTIC PROTECTION COVER,POWDER COATED,GREY  
 类型I 10B下壳,表面安装,彩锌单扣,带塑料保护盖,灰色粉末喷涂

THIS DRAWING IS A CONTROLLED DOCUMENT.

|             |                  |           |                     |
|-------------|------------------|-----------|---------------------|
| DWN         | DAVID LI         | 25JUN2015 | <br>TE Connectivity |
| CHK         | CHRIS WANG       | 25JUN2015 |                     |
| APVD        | XU XIANG         | 25JUN2015 |                     |
| NAME        | H10B-SDR-LB-PG/M |           |                     |
| DIMENSIONS: | mm               |           | PRODUCT SPEC        |
|             |                  |           | 108-137013          |
|             |                  |           | APPLICATION SPEC    |
|             |                  |           | 114-137013          |
| MATERIAL    |                  |           | WEIGHT              |
|             |                  |           | -                   |
|             |                  |           | CUSTOMER DRAWING    |

|       |     |           |   |            |                  |               |
|-------|-----|-----------|---|------------|------------------|---------------|
| SIZE  | A3  | CAGE CODE | - | DRAWING NO | ①-TI62010XXXX000 | RESTRICTED TO |
| SCALE | 1:2 | SHEET     | 1 | OF         | 2                | REV           |
|       |     |           |   |            |                  | B             |

THIS DRAWING IS UNPUBLISHED.

RELEASED FOR PUBLICATION

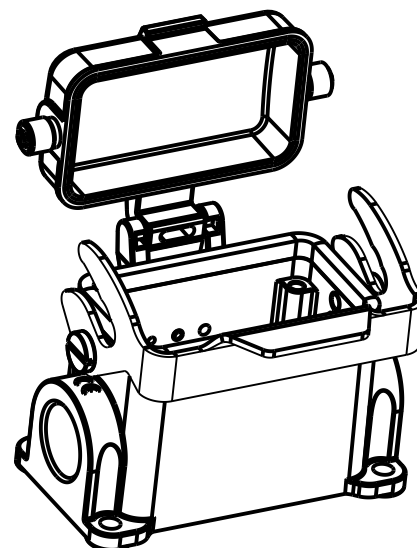
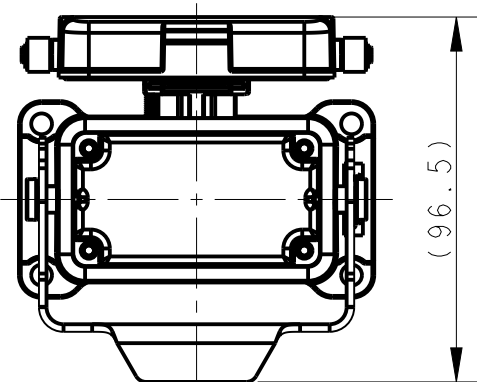
20

© COPYRIGHT 20 BY -

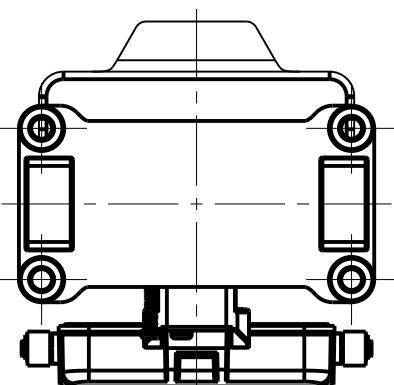
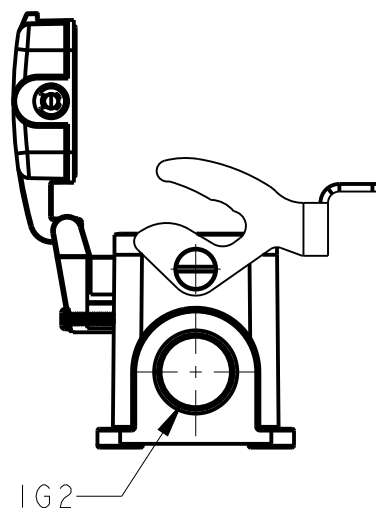
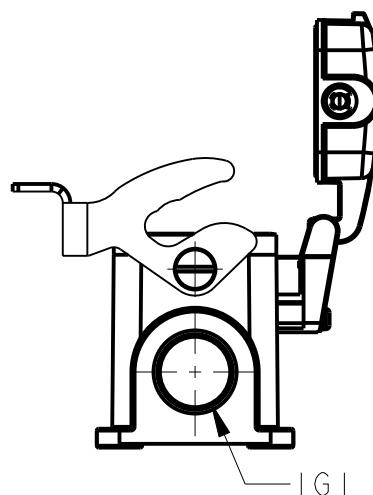
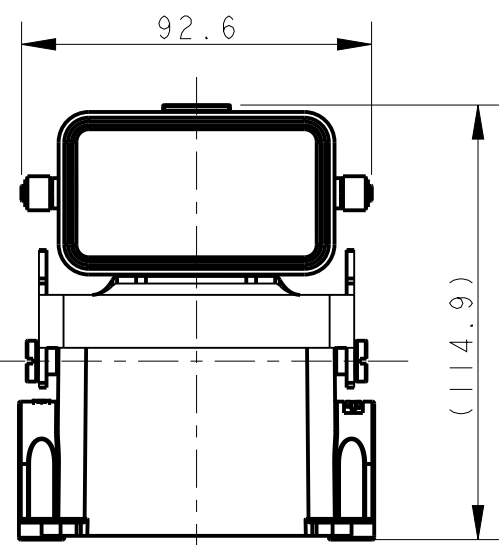
ALL RIGHTS RESERVED.

REVISIONS

| P | LTR | DESCRIPTION | DATE | DWN | APVD |
|---|-----|-------------|------|-----|------|
| - | -   | SEE SHEET 1 | -    | -   | -    |



NOTES:  
SEE SHEET 1  
注释:  
见第1页.



| PART NUMBER     | PART DESCRIPTION   | IG1  | IG2  | TYPE   |
|-----------------|--|------|------|--------|
| 料号              | 描述   | 螺纹孔1 | 螺纹孔2 | 类型     |
| TI620103416-000 | H10B-HOUSING,SURFACE MOUNTED,METAL SINGLE LOCKING,PG16, METAL PROTECTION COVER,POWDER COATED,GREY<br>H10B下壳,表面安装,彩锌单扣,PG16,带金属保护盖,灰色粉末喷涂   | PG16 | -    | -      |
| TI620103420-000 | H10B-HOUSING,SURFACE MOUNTED,METAL SINGLE LOCKING,M20, METAL PROTECTION COVER,POWDER COATED,GREY<br>H10B下壳,表面安装,彩锌单扣,M20,带金属保护盖,灰色粉末喷涂     | M20  | -    | -      |
| TI620103421-000 | H10B-HOUSING,SURFACE MOUNTED,METAL SINGLE LOCKING,PG21, METAL PROTECTION COVER,POWDER COATED,GREY<br>H10B下壳,表面安装,彩锌单扣,PG21,带金属保护盖,灰色粉末喷涂   | PG21 | -    | -      |
| TI620103425-000 | H10B-HOUSING,SURFACE MOUNTED,METAL SINGLE LOCKING,M25, METAL PROTECTION COVER,POWDER COATED,GREY<br>H10B下壳,表面安装,彩锌单扣,M25,带金属保护盖,灰色粉末喷涂     | M25  | -    | TYPE 2 |
| TI620103316-000 | H10B-HOUSING,SURFACE MOUNTED,METAL SINGLE LOCKING,2PG16, METAL PROTECTION COVER,POWDER COATED,GREY<br>H10B下壳,表面安装,彩锌单扣,2PG16,带金属保护盖,灰色粉末喷涂 | PG16 | PG16 | -      |
| TI620103320-000 | H10B-HOUSING,SURFACE MOUNTED,METAL SINGLE LOCKING,2M20, METAL PROTECTION COVER,POWDER COATED,GREY<br>H10B下壳,表面安装,彩锌单扣,2M20,带金属保护盖,灰色粉末喷涂   | M20  | M20  | -      |
| TI620103325-000 | H10B-HOUSING,SURFACE MOUNTED,METAL SINGLE LOCKING,2M25, METAL PROTECTION COVER,POWDER COATED,GREY<br>H10B下壳,表面安装,彩锌单扣,2M25,带金属保护盖,灰色粉末喷涂   | M25  | M25  | -      |

TYPE 2: H10B HOUSING,METAL PROTECTION COVER  
OTHER SPEC REFER TO TYPE 1  
类型2 H10B下壳,带金属保护盖,其它参考类型1

THIS DRAWING IS A CONTROLLED DOCUMENT.

| DIMENSIONS: | TOLERANCES UNLESS OTHERWISE SPECIFIED: |
|-------------|--|
| mm          |  |
| 0 PLC       | ±-                                     |
| 1 PLC       | ±-                                     |
| 2 PLC       | ±-                                     |
| 3 PLC       | ±-                                     |
| 4 PLC       | ±-                                     |
| ANGLES      | ±-                                     |

| MATERIAL | FINISH |
|----------|--------|
| -        | -      |
| -        | -      |

|            |           |
|------------|-----------|
| DWN        | 25JUN2015 |
| DAVID LI   |           |
| CHK        | 25JUN2015 |
| CHRIS WANG |           |
| APVD       | 25JUN2015 |
| XU XIANG   |           |

|                  |            |
|------------------|------------|
| PRODUCT SPEC     | 108-137013 |
| APPLICATION SPEC | 114-137013 |
| WEIGHT           | -          |

CUSTOMER DRAWING

**STE** TE Connectivity

NAME: H10B-SDRM-LB-PG/M

| SIZE | CAGE CODE | DRAWING NO       | RESTRICTED TO |
|------|-----------|------------------|---------------|
| A3   | -         | ©-TI62010XXXX000 |               |

SCALE: 1:2 SHEET: 2 OF 2 REV: B

单击下面可查看定价，库存，交付和生命周期等信息

[>>TE Connectivity\(泰科\)](#)