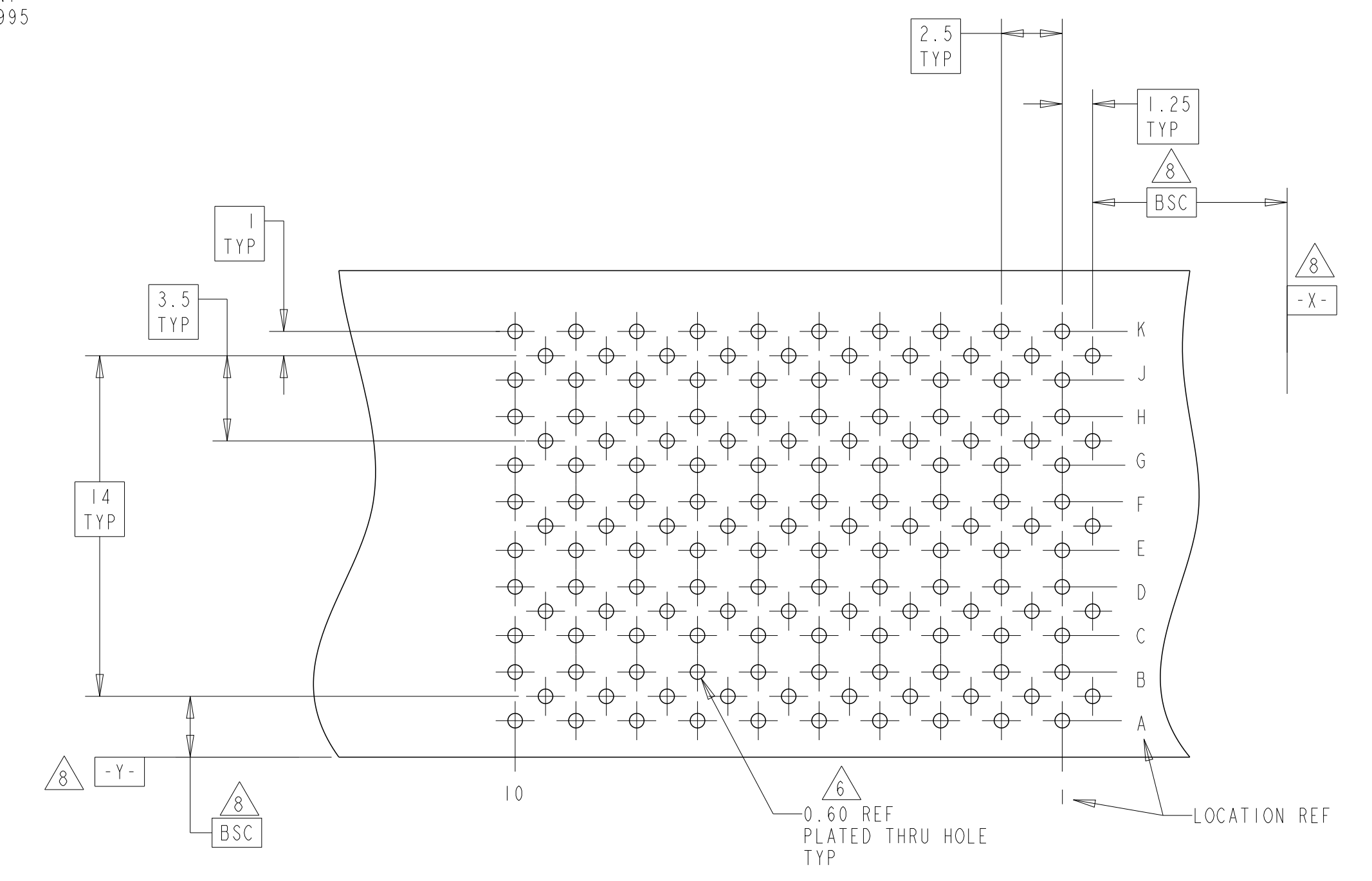
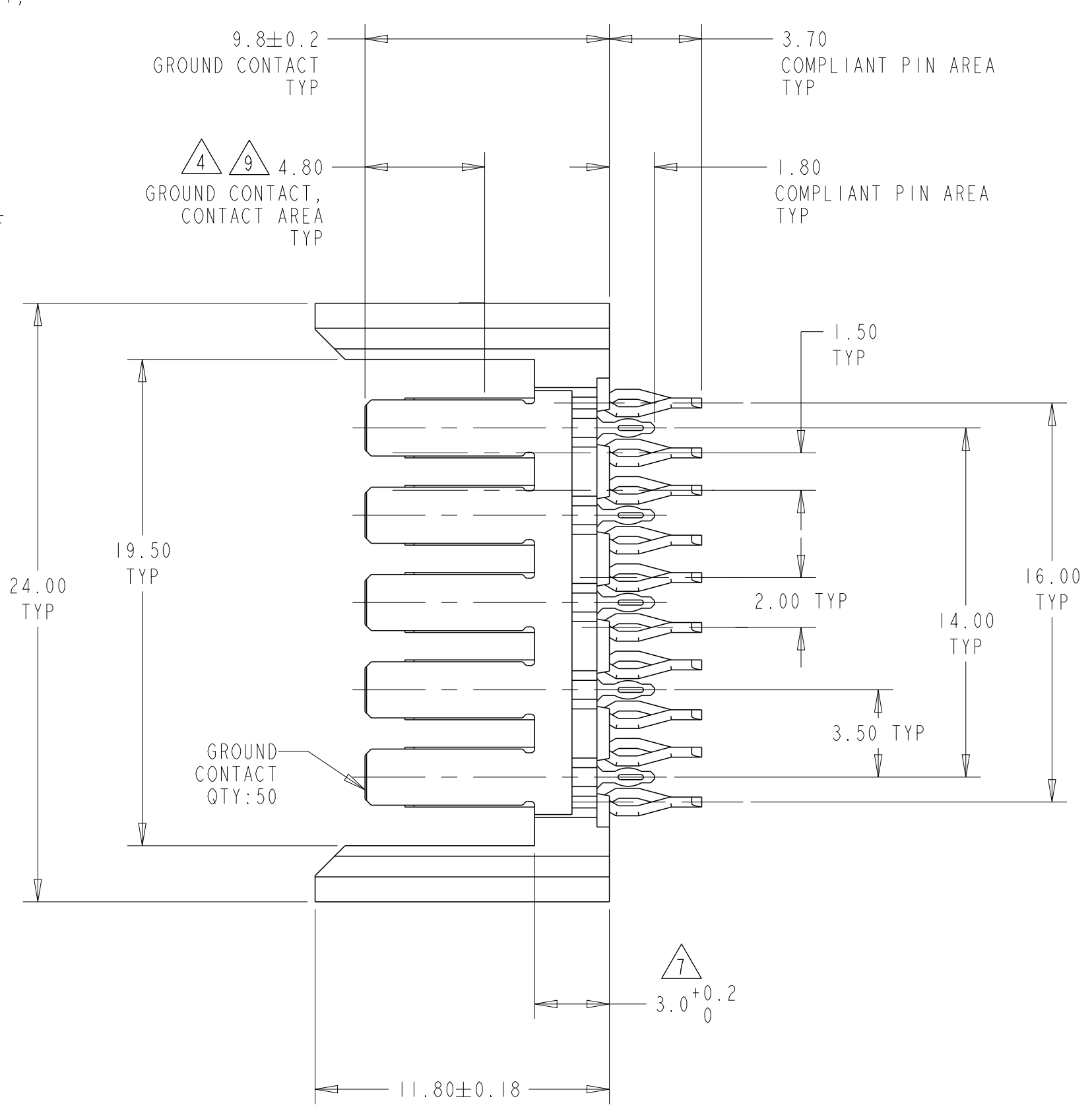
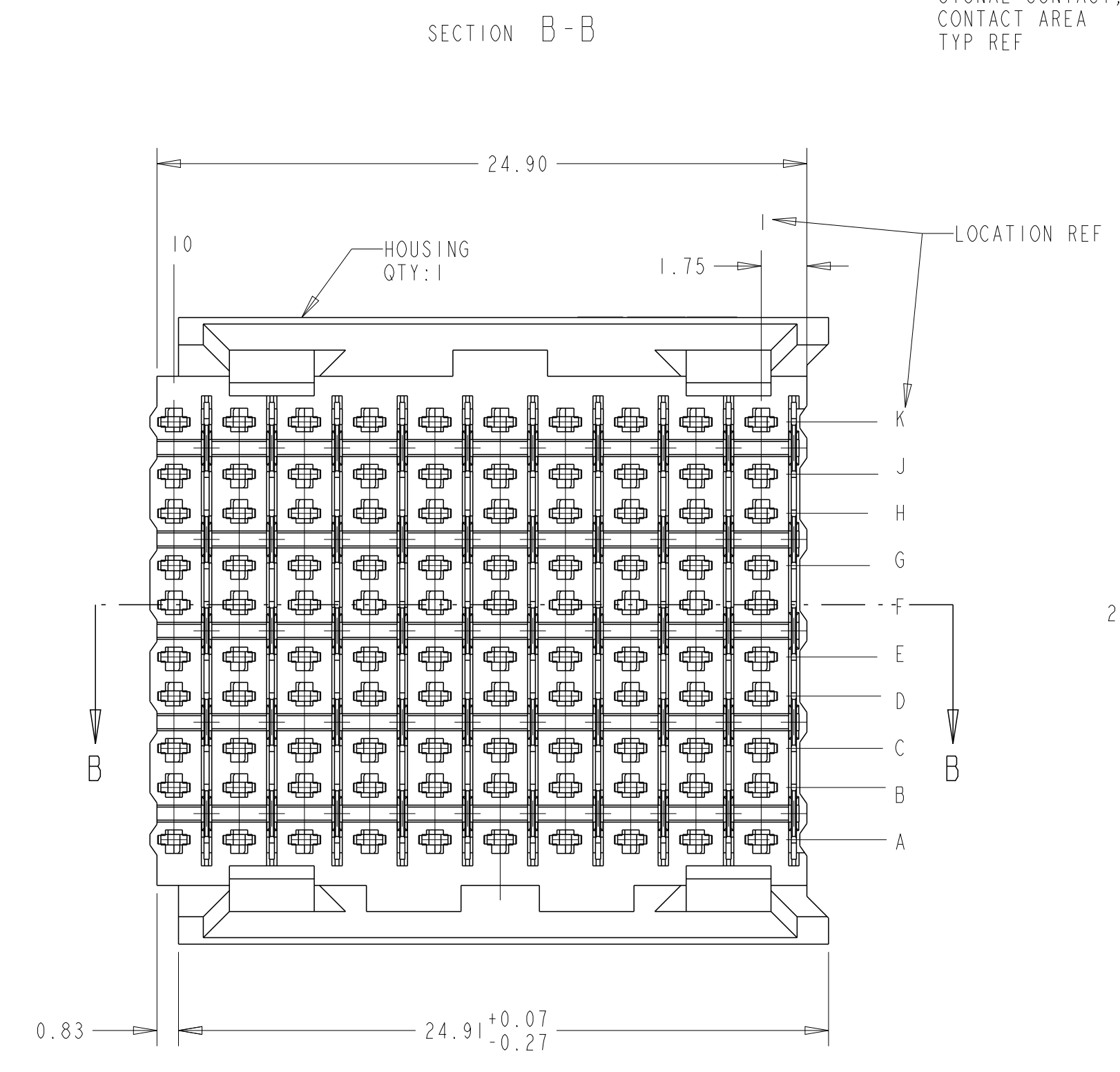
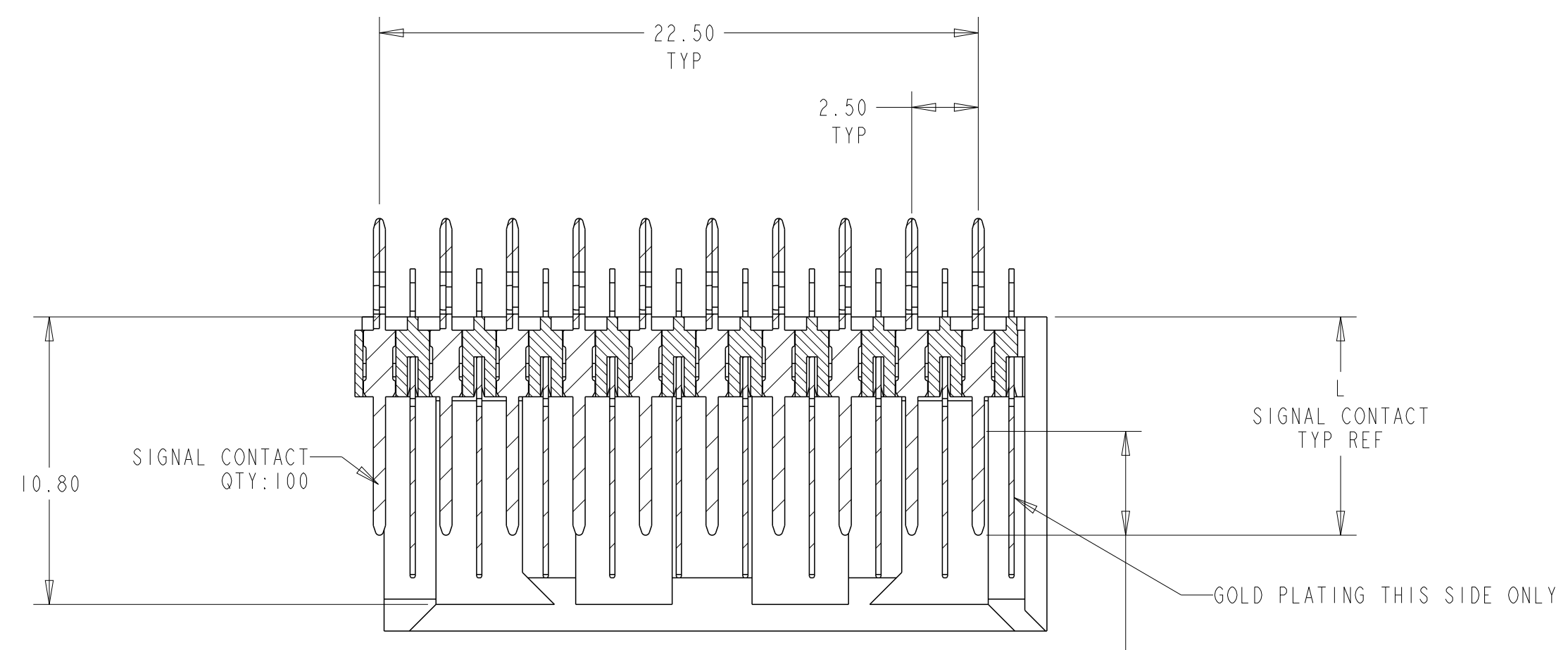
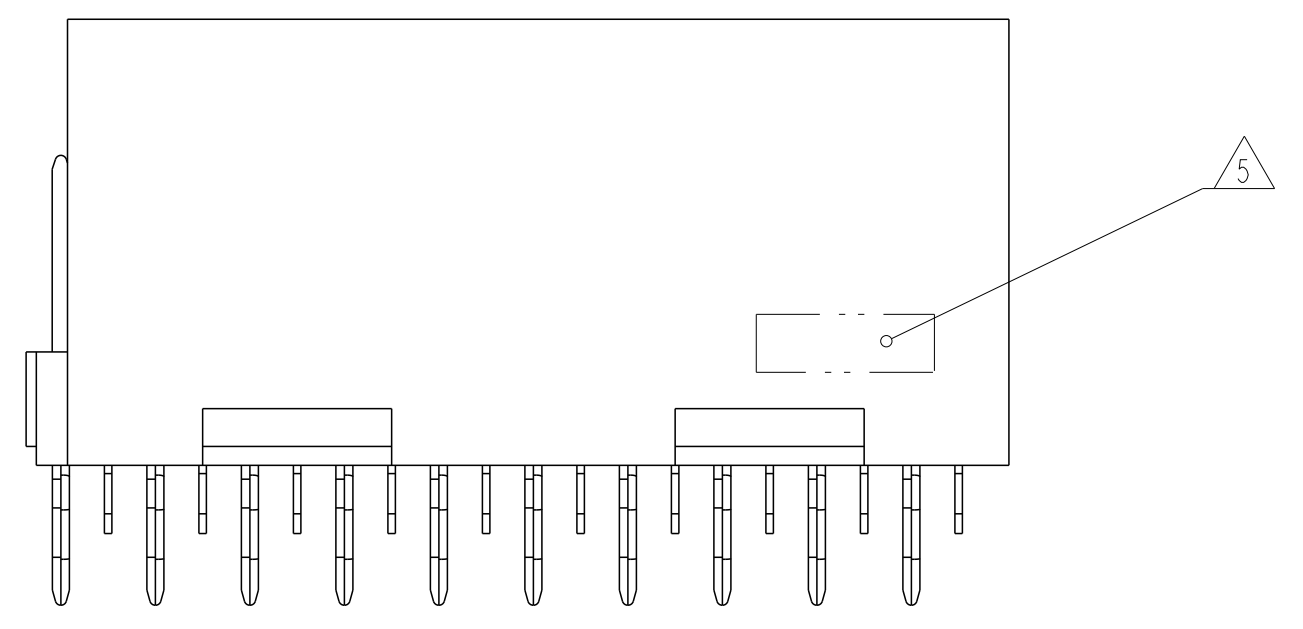


LOC	DIST	REV	DATE	DWN	APVD
AD	00	A	16APR2013	KH	RP

- 2 PHOSPHOR BRONZE
- 3 LCP, UL94V-0
- 4 GOLD FLASH OVER 0.30µm MIN PALLADIUM-NICKEL OVER 1.27µm MIN NICKEL UNDERPLATE ON CONTACT AREA. 0.76µm MIN TIN OVER 1.27µm MIN NICKEL ON COMPLIANT PIN AREA
- 5 CONNECTOR MARKED WITH PART NUMBER AND DATE CODE
- 6 REFERENCE APPLICATION SPEC 114-13020 FOR RECOMMENDED PLATED THRU HOLE DIAMETER AND PLATING THICKNESS.
- 7 APPLICATION SEATING HEIGHT TO PRINTED CIRCUIT BOARD
- 8 DATUMS AND BASIC DIMENSIONS ESTABLISHED BY CUSTOMER
- 9 CONTACT AREA LUBRICATED WITH BELLCORE APPROVED LUBRICANT TECHNICAL REFERENCE: GR-1217-CORE, ISSUE 1, NOVEMBER 1995



RECOMMENDED  
 PRINTED CIRCUIT BOARD  
 LAYOUT  
 COMPONENT SIDE OF PRINTED CIRCUIT BOARD



3.90	8.2	6645401-1
M	L	PART NUMBER

THIS DRAWING IS A CONTROLLED DOCUMENT.

DIMENSIONS:	TOLERANCES UNLESS OTHERWISE SPECIFIED:	DWN: B. CARBO 06DEC04	CHK: M. BOWERS 06DEC04	APVD: M. BOWERS 06DEC04
mm	0 PLC ±	NAME: HEADER ASSEMBLY, 100 POSN, 7-PACK HS3 BACKPLANE CONNECTOR		
	1 PLC ±0.13	SIZE: A1		
	3 PLC ±0.05	CAGE CODE: 00779		
	4 PLC ±	DRAWING NO: 6645401		
	ANGLES ±	SHEET 1 OF 1		
	FINISH ±	REV A		
MATERIAL:	CONTACTS: 2	Customer Drawing		
HOUSING: 3	SIGNAL CONTACT: 4	SCALE: 5:1		

TE Connectivity

单击下面可查看定价，库存，交付和生命周期等信息

[>>TE Connectivity\(泰科\)](#)