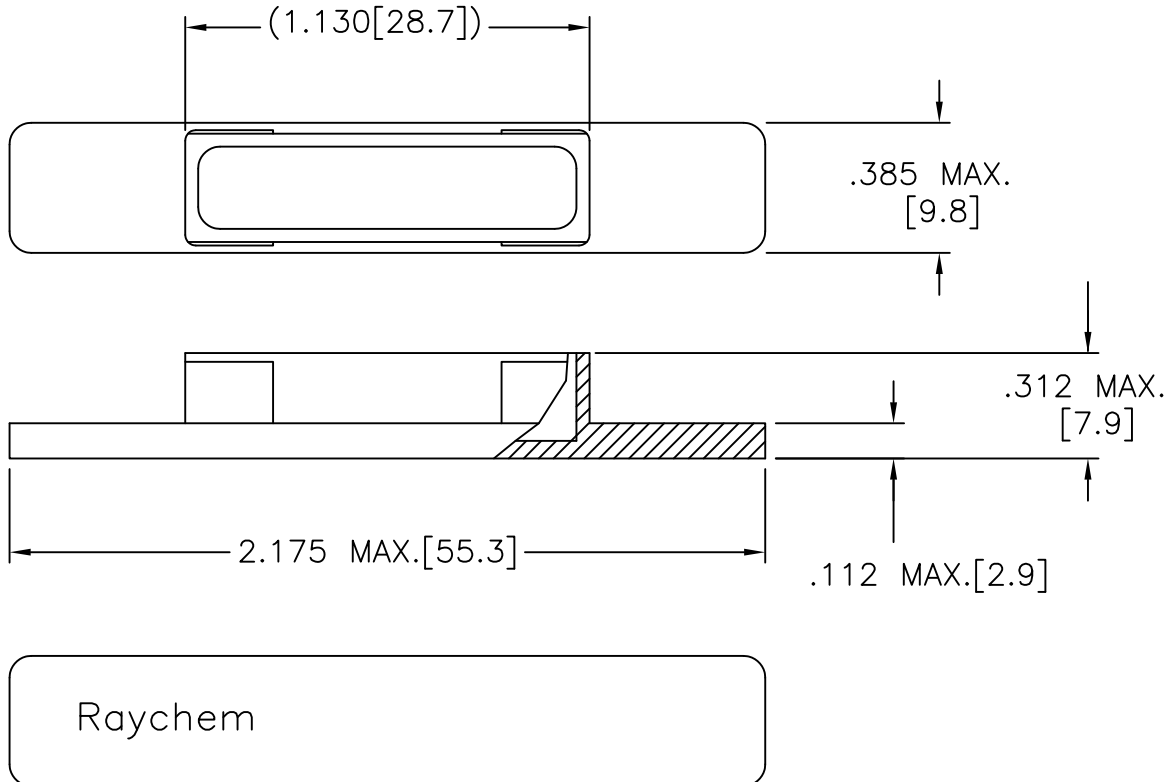
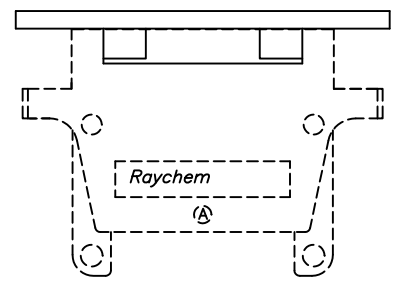


THIS DRAWING AND THE INFORMATION SET FORTH HEREON ARE THE PROPERTY OF TYCO ELECTRONICS CORPORATION AND ARE TO BE HELD IN TRUST AND CONFIDENCE. PUBLICATION, DUPLICATION, DISCLOSURE OR USE FOR ANY PURPOSE NOT EXPRESSLY AUTHORIZED IN WRITING BY TYCO ELECTRONICS CORPORATION IS PROHIBITED.

REVISIONS			
LTR	DESCRIPTION	DATE	APPROVED
A	INITIAL RELEASE DCR# C060723	Sep/14/06	M.HIGGY
B	PER ECO-10-022842	Nov/8/2010	M.HIGGY



VIEW SHOWING TYPICAL INSTALLATION



RECEPTACLE CONNECTOR

NOTES:

1. THIS PART IS USED WITH MTC50, MTC100Q AND MTCTQ, 1 INCH RECEPTACLE CONNECTORS.
2. MATERIAL: PETROTHENE NA860008
LDPE POLYETHYLENE RESIN
COLOR RED.
3. WEIGHT: 0.003 Lbs. [1.32 grm.] MAXIMUM.

If this document is printed it becomes uncontrolled. Check for the latest revision

©2006-2010 Tyco Electronics Corporation. All rights reserved.

CUSTOMER DRAWING

UNLESS OTHERWISE SPECIFIED DIMENSIONS ARE IN INCHES. METRIC DIMENSIONS ARE IN BRACKETS. DECIMALS .XXX ± 0.005 [0.13 mm] .XX ± 0.01 [0.25 mm] .X ± [mm] ANGLES .X ±	DRAWN	ZSOFIA.ORBAN	Aug/25/06		Raychem Interconnect		
	CHECKED				300 Constitution Drive Menlo Park, CA 94025 U.S.A		
	APPROVED	M.HIGGY	Aug/25/06	TITLE	CAP, DUST, 1 INCH RECEPTACLE MTC50, MTC100Q AND MTCTQ POLYETHYLENE LOW DENSITY, RED		
	FINISH:	AS MOLDED		SIZE	CAGE CODE:	DWG. NO.	REV:
CAD NAME:	CHA-1603		A	06090	CHA-1603	B	
THIRD ANGLE PROJECTION			SHEET 1 OF 1				

单击下面可查看定价，库存，交付和生命周期等信息

[>>TE Connectivity\(泰科\)](#)