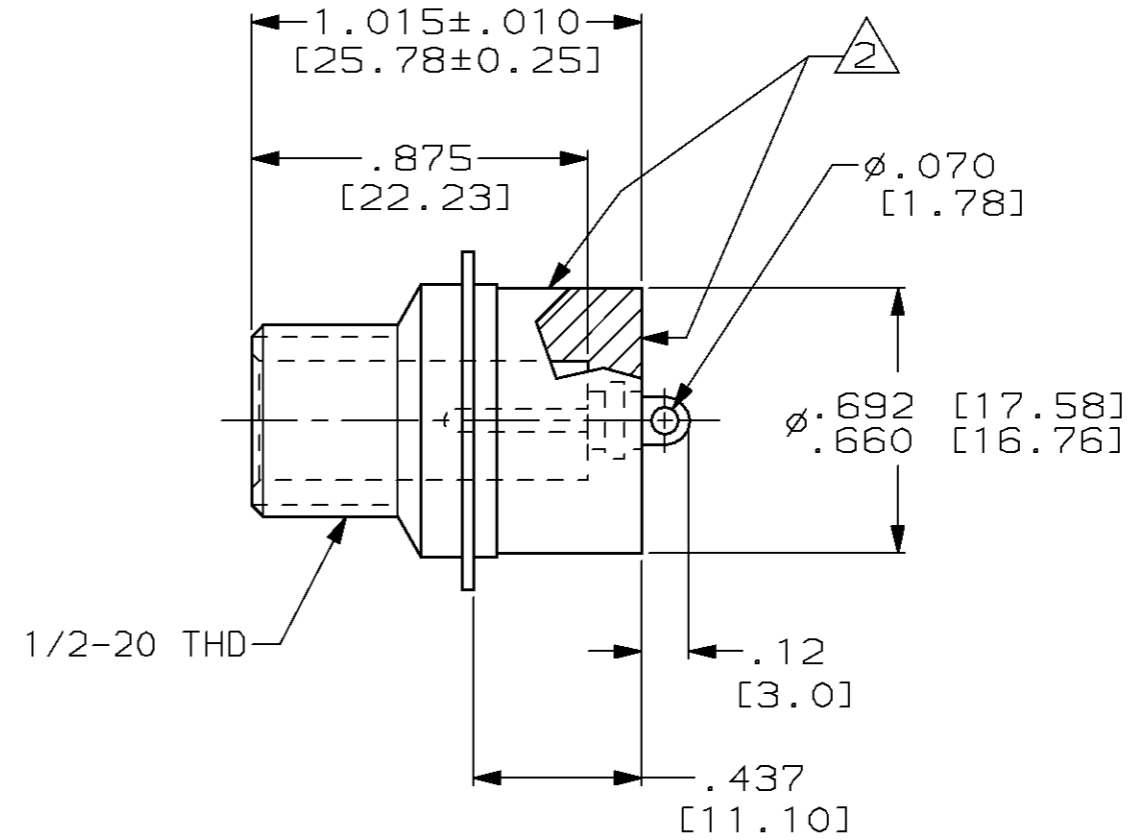
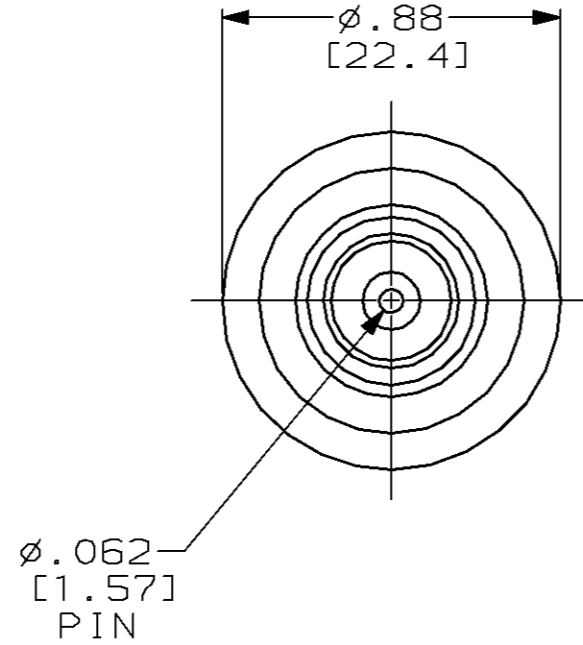


THIS DRAWING IS UNPUBLISHED. RELEASED FOR PUBLICATION, 19 .
 © COPYRIGHT 19 BY AMP INCORPORATED. ALL RIGHTS RESERVED.

LOC	DIST	REVISIONS			
P	LTR	DESCRIPTION	DATE	DWN	APVD
DF	SO				
	D	REV & REDRAWN; 0600-5527-96	7-96	CT	SG



- 1. THIS IS A HERMETICALLY SEALED RECEPTACLE.
- 2. MOLDED AREA BELOW FLANGE IS SANDBLASTED.

REMARKS	DISCRIPTION	PART NUMBER
OBSOLETE	GOLD PLATED PIN; TIN PLATED FLANGE	862401-2
-	TIN PLATED PIN & FLANGE	862401-1

THIS DRAWING IS A CONTROLLED DOCUMENT.		DWN C. C. THOMAS 7-17-96	AMP AMP Incorporated Harrisburg, PA 17105-3608
		CHK S. GLATFELTER 8-1-96	
		APVD S. GLATFELTER 8-1-96	NAME
DIMENSIONS: INCHES [mm]		PRODUCT SPEC	RECEPTACLE ASSY, FLANGED, LGH-1
TOLERANCES UNLESS OTHERWISE SPECIFIED:		APPLICATION SPEC	SIZE
0 PLC ±-			CAGE CODE
1 PLC ±-			DRAWING NO
2 PLC ±.01 [0.3]			A3 00779 C-862401
3 PLC ±.005 [0.13]			SCALE
4 PLC ±-			2:1
ANGLES ±-			SHEET
MATERIAL -		WEIGHT -	1 OF 1
FINISH -		CUSTOMER DRAWING	REV
			D

单击下面可查看定价，库存，交付和生命周期等信息

[>>TE Connectivity\(泰科\)](#)