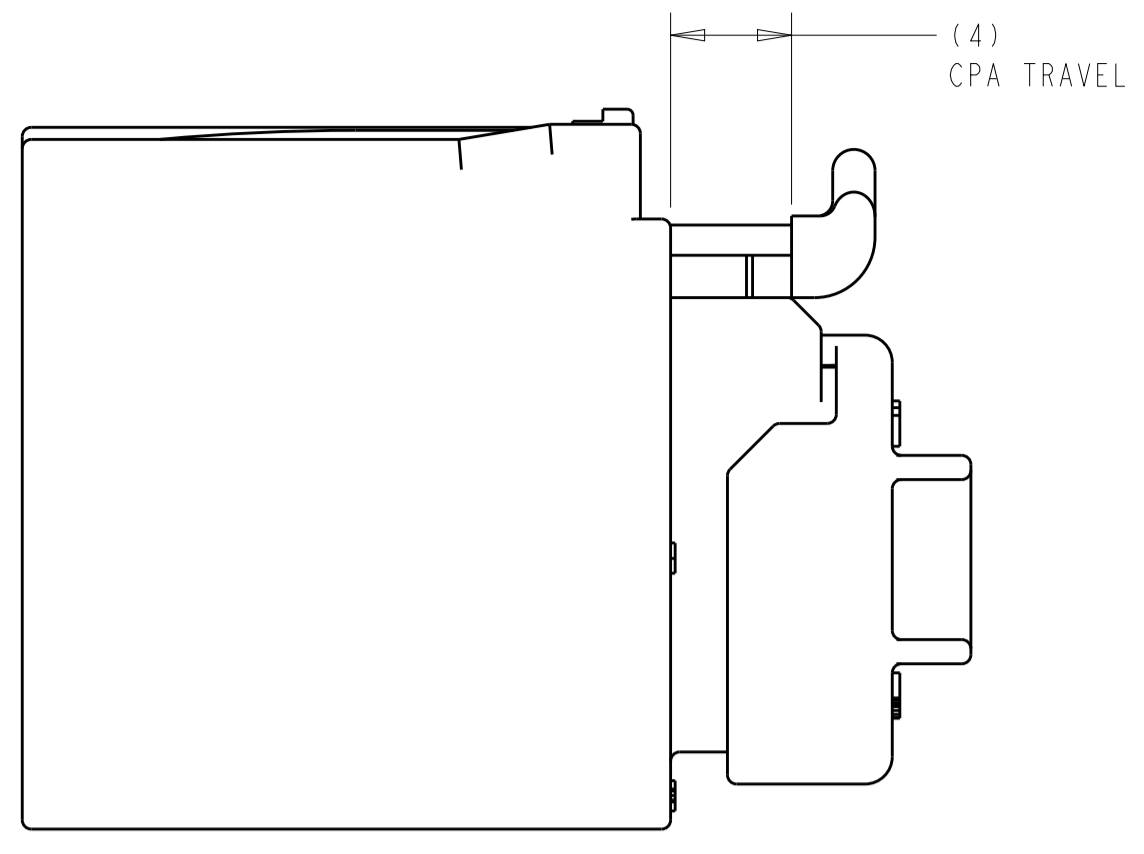
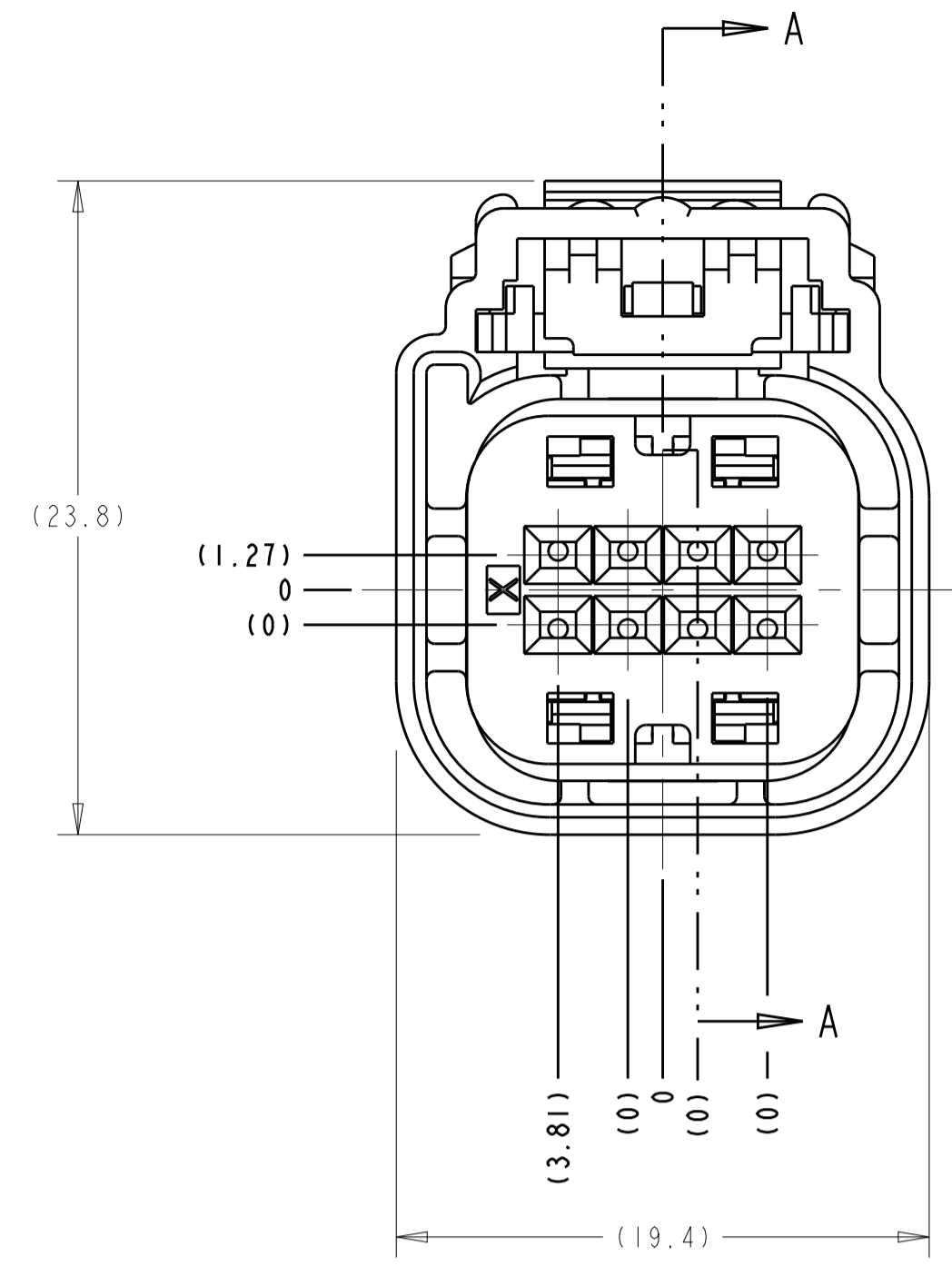
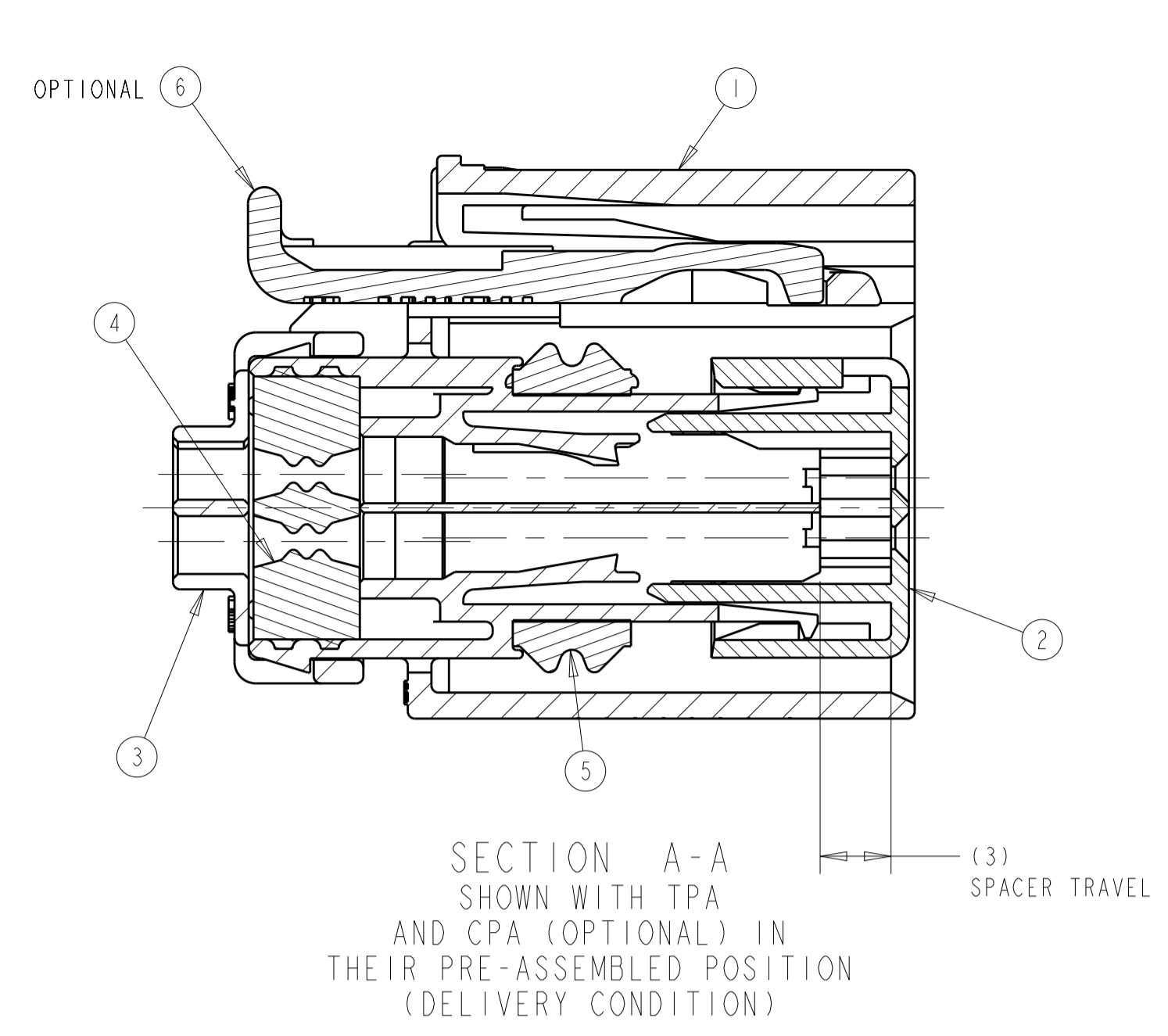
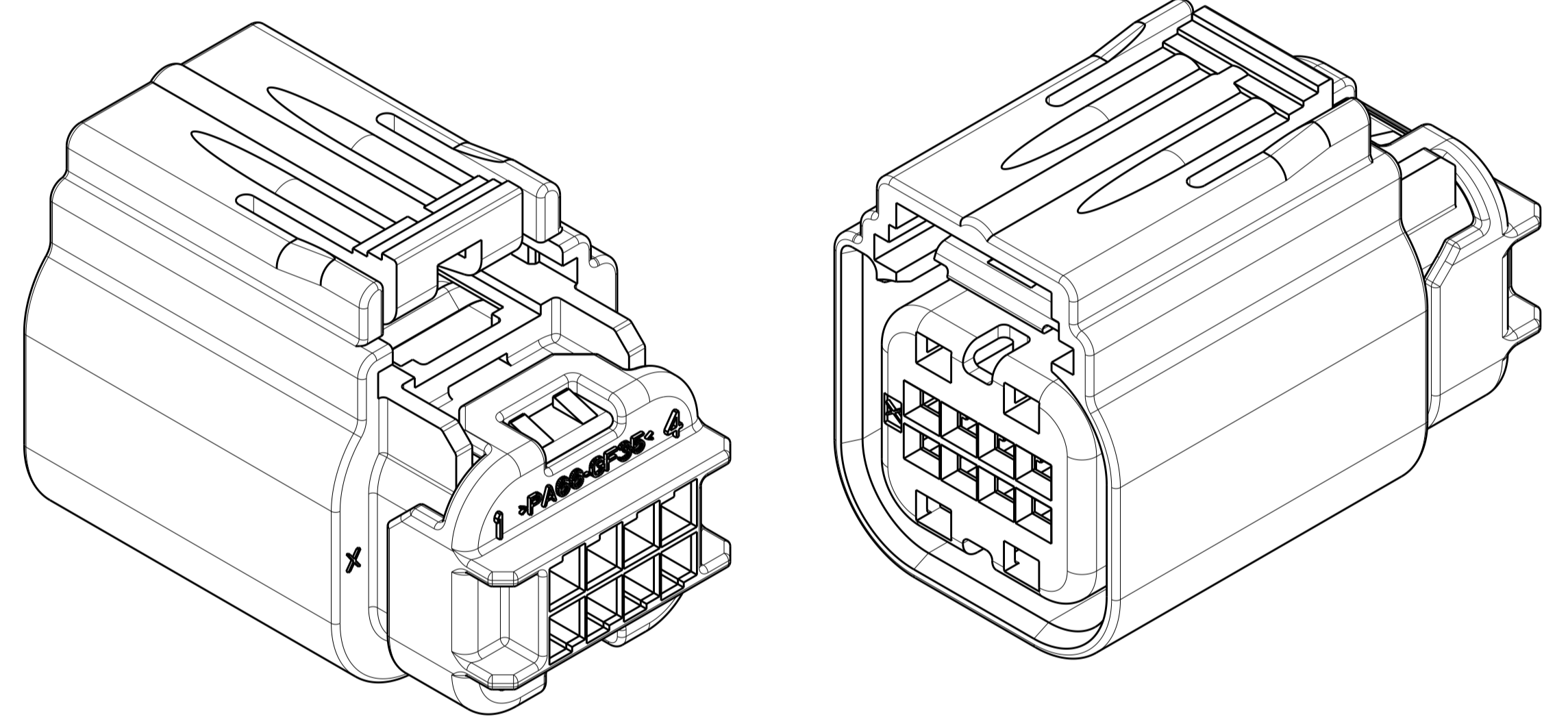
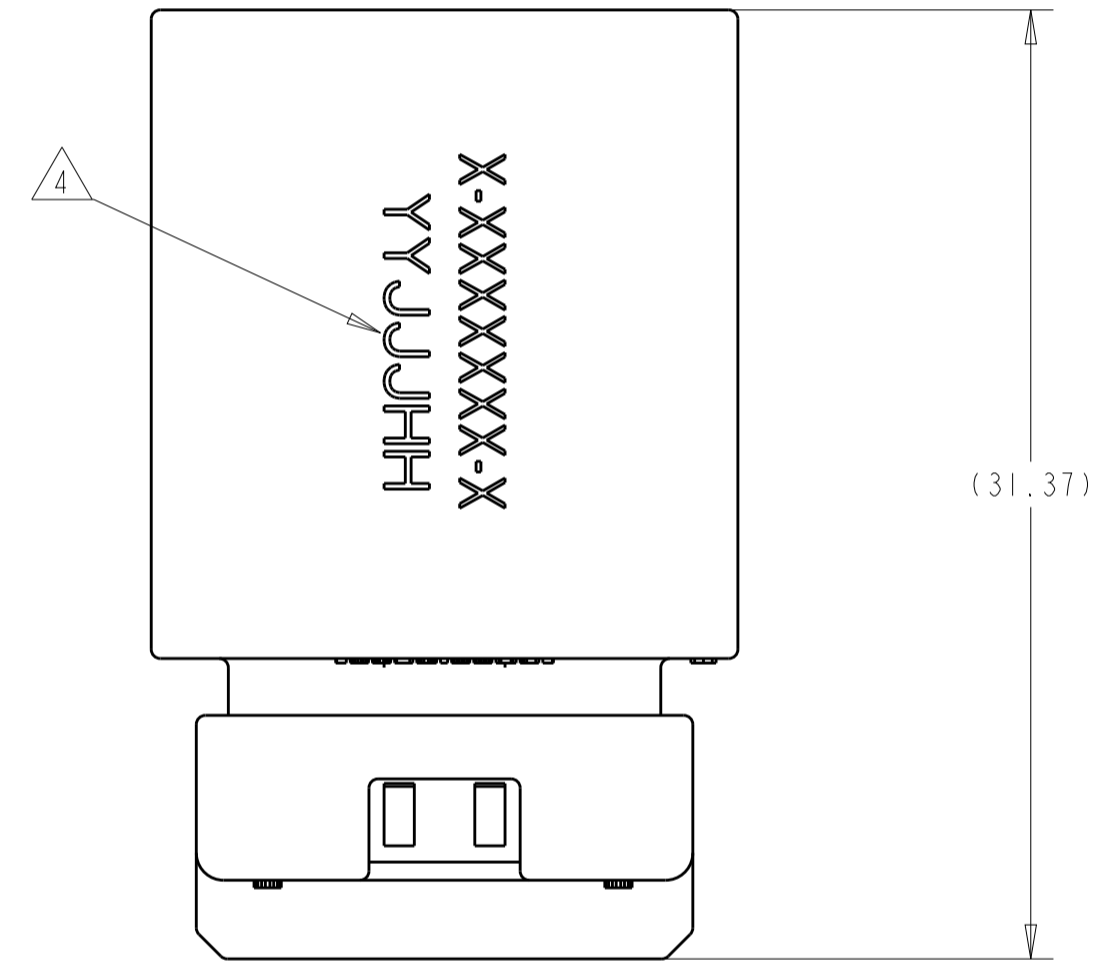


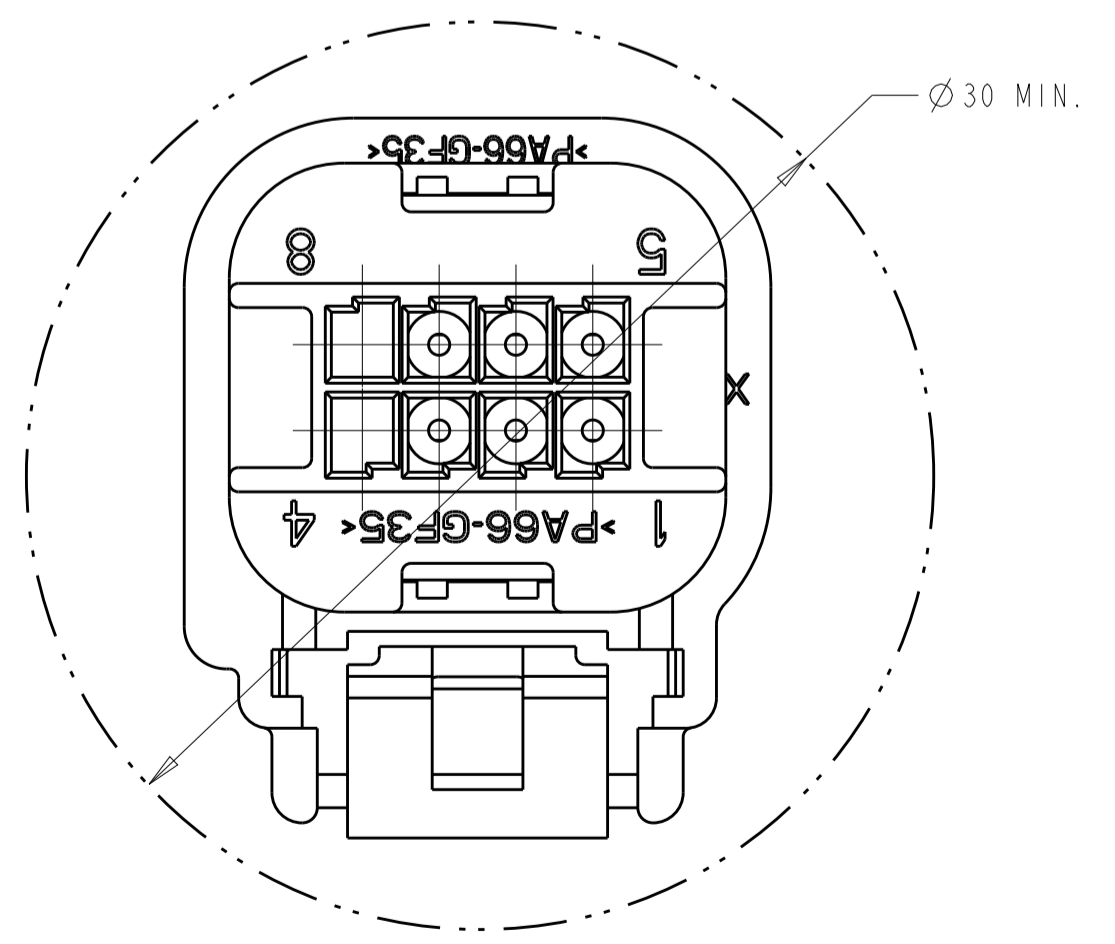
| REVISIONS |     |                           |           |     |      |
|-----------|-----|---------------------------|-----------|-----|------|
| P.        | LTN | DESCRIPTION               | DATE      | DWN | APVD |
| J4        |     | REVISED PER ECO-16-012408 | 29AUG2016 | DLD | DCM  |
| J5        |     | REV PER ECO-19-007294     | 22MAY2019 | RGV | CM   |
| J6        |     | REVISED PER ECO-20-005502 | 21MAY2020 | JMS | CM   |
| J7        |     | REV PER ECO-20-014946     | 17NOV2020 | RGV | CM   |



| COVER CHART   |   |   |   |   |   |         |                      |
|---|---|---|---|---|---|---------|----------------------|
|   |   |   |   |   |   | 7       | 1-1411001-4          |
|   |   |   |   |   |   | 6 7     | 1-1411001-3          |
| 1   | 2 | 3 | 4 |   |   |         | 1-1411001-2          |
|   |   |   |   |   |   | 5 6 7   | 1-1411001-1          |
|   |   |   | 3 |   |   |         | 1-1411001-0          |
|   |   |   |   |   |   | 5 6 7 8 | 1411001-9            |
|   |   | 3 | 4 |   |   |         | 1411001-8            |
|   |   |   | 4 |   |   |         | 1411001-7            |
|   |   |   |   |   |   |         | 1411001-6            |
|   |   | 3 | 4 |   |   | 8       | 1411001-5            |
|   |   |   | 4 |   |   | 8       | 1411001-2            |
|   |   |   |   |   |   |         | 1411001-1            |
| 1   | 2 | 3 | 4 | 5 | 6 | 7       | 8                    |
|   |   |   |   |   |   |         | ASSEMBLY PART NUMBER |
| CAVITIES WITH A NUMBER INDICATES CLOSED TERMINAL HOLE LOCATIONS |   |   |   |   |   |         |                      |
| BLANK CAVITIES INDICATE OPEN TERMINAL HOLE LOCATIONS            |   |   |   |   |   |         |                      |



KEYING OPTION "B" SHOWN  
SEE NOTE 5 FOR APPLICABLE  
HEADER INTERFACE INFORMATION



MINIMUM FEED THRU CONDITION  
WITH 1mm CLEARANCE ALL AROUND

- APPLICABLE TERMINAL PART NUMBERS (SOLD SEPARATELY):  
FOR TIN AND SILVER APPLICATIONS: 1393367 AND 1393366.  
FOR GOLD APPLICATIONS: 1393365 AND 1393364.  
FOR TERMINATION AND REELING DIRECTION  
SEE DRAWINGS 1393367, 1393366, 1393365, AND 1393364.
- COMPATIBLE WIRE SIZES FOR MAT SEAL DESIGN 1.19 TO 2.06 O.D.  
(22-18 AWG, 0.35-0.75 mm<sup>2</sup>)
- TPA IS SHIPPED IN PRE-LOADED POSITION. SOME MAY BECOME FULLY SEATED DURING SHIPPING. USE TYCO INSTRUCTION SHEET 408-10128 TO REPOSITION TPA TO PRE-LOADED POSITION.
- TE CONNECTIVITY ASSEMBLY PART NUMBER (X-XXXXXX-X) AND TRACEABILITY CODE (YY = TWO DIGIT YEAR, JJJ = JULIAN DAY, HH = TWO DIGIT MILITARY HOUR) ARE PRINTED IN THIS LOCATION.
- APPLICABLE HEADER INTERFACE DRAWING 1488342.
- ASSEMBLIES ARE BULK PACKAGED.
- OPTIONAL CPA IS SHIPPED IN PRE-LOADED POSITION.
- PART NUMBER 1411001-2 SHOWN.

| ITEM | DESCRIPTION    | COLOR       | MATERIAL    |
|------|----------------|-------------|-------------|
| 6    | CPA            | RED         | PBT-GF15    |
| 5    | PERIMETER SEAL | LIGHT GREEN | SILICONE    |
| 4    | GROMMET        | BROWN       | SILICONE    |
| 3    | GROMMET COVER  | BLACK       | PA66-GF35   |
| 2    | TPA            | RED         | PBT+PC-GF30 |
| 1    | PLUG, KEY B    | BLACK       | PA66-GF35   |

| ITEM | DESCRIPTION    | COLOR       | MATERIAL    |
|------|----------------|-------------|-------------|
| 6    | CPA            | RED         | PBT-GF15    |
| 5    | PERIMETER SEAL | LIGHT GREEN | SILICONE    |
| 4    | GROMMET        | BROWN       | SILICONE    |
| 3    | GROMMET COVER  | BLACK       | PA66-GF35   |
| 2    | TPA            | RED         | PBT+PC-GF30 |
| 1    | PLUG, KEY B    | BLACK       | PA66-GF35   |

|  |       |  |  |
|--|-------|--|--|
| THIS DRAWING IS A CONTROLLED DOCUMENT. |       | DWN: 01OCT2001                         |  |
| DIMENSIONS: mm                         |       | CHK: M. HITCHCOCK                      |  |
| TOLERANCES UNLESS OTHERWISE SPECIFIED: |       | APVD: A. SHUMAN                        |  |
| 0 PLC                                  | ±0.3  | NAME: 2X4 SEALED, FEMALE PLUG ASSEMBLY |  |
| 1 PLC                                  | ±0.10 | SIZE: 114-13150                        |  |
| 2 PLC                                  | ±0.10 | SCALE: 4:1                             |  |
| 3 PLC                                  | ±0.10 | SHEET: 1 OF 1                          |  |
| 4 PLC                                  | ±0.10 | REV: J7                                |  |
| ANGLES                                 | ±0.5° |  |  |
| FINISH                                 | ±0.05 |  |  |
| MATERIAL                               |       |  |  |
|  |       |  |  |

单击下面可查看定价，库存，交付和生命周期等信息

[>>TE Connectivity\(泰科\)](#)