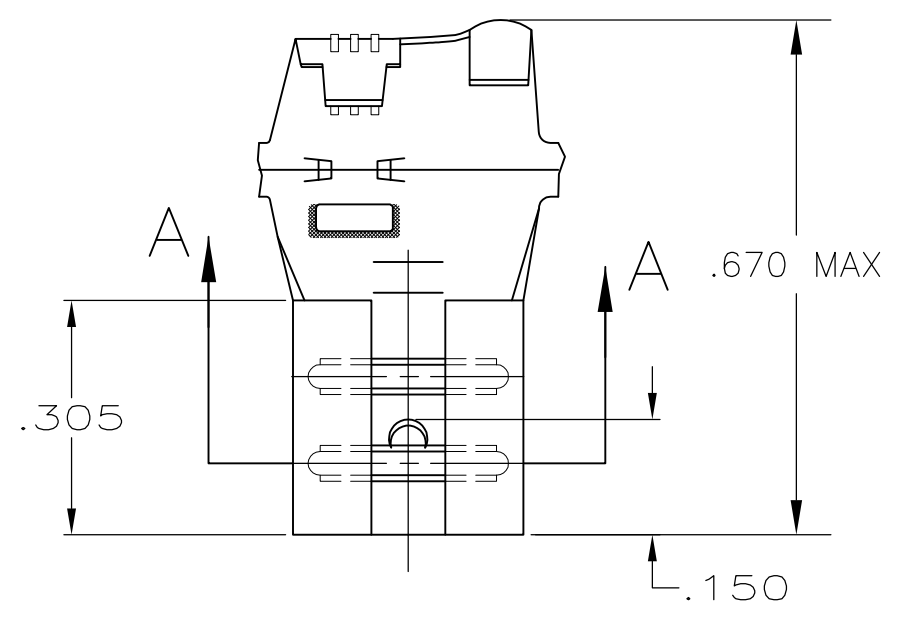
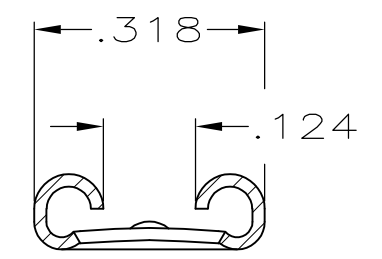


THIS DRAWING IS UNPUBLISHED. RELEASED FOR PUBLICATION  
 © COPYRIGHT - By - ALL RIGHTS RESERVED.

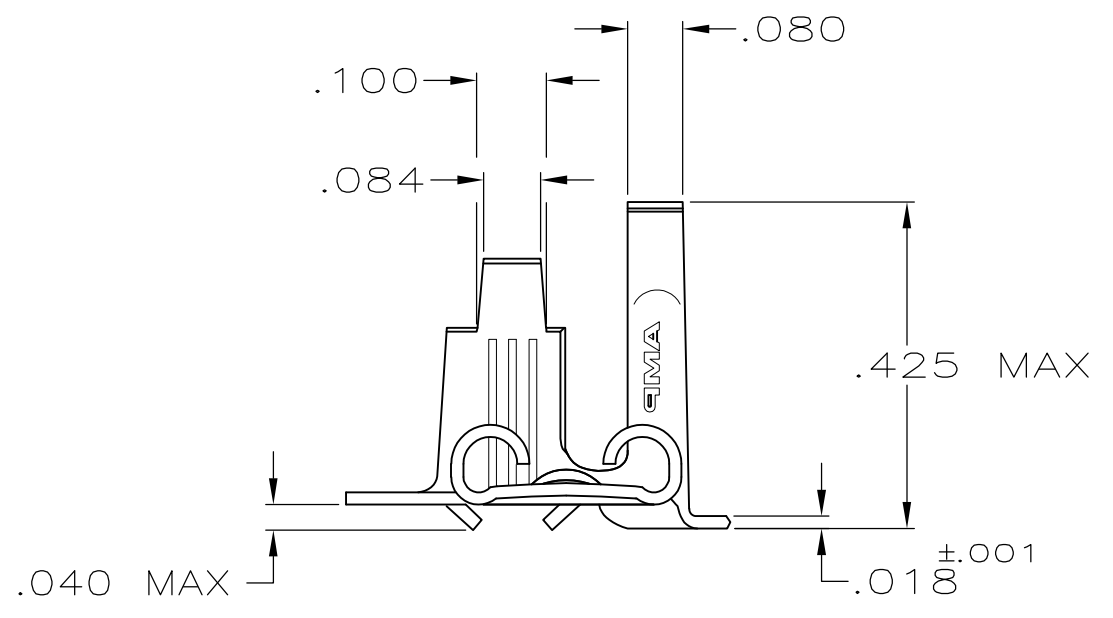
| LOC | DIST | REVISIONS |     |                           |           |     |      |
|-----|------|-----------|-----|---------------------------|-----------|-----|------|
|     |      | P         | LTR | DESCRIPTION               | DATE      | DWN | APVD |
| AF  | 50   |           | M1  | REVISED PER ECO-13-001206 | 23JAN13   | JR  | PD   |
|     |      |           | M2  | ECR-14-007025             | 13MAY2014 | D.L | T.D  |
|     |      |           | M3  | ECR-14-015179             | 17OCT2014 | D.L | T.D  |



- 1 CONTINUOUS STRIP ON REELS
- 2 WIRE SIZE IS 18-12 AWG
- 3 INSULATION RANGE IS .110-.210 DIA
- 4 MATING TAB THK IS .032±.001
- 5 OBSOLETE PARTS: OBSOLETE CIS STREAMLINING PER D.RENAUD/D.SINISI



SECTION A-A



|          | FINISH                   | MATERIAL    | PART NO |
|----------|--------------------------|-------------|---------|
| (M2)     | TIN .000080 MIN          | T4 BRASS    | 60274-5 |
| (M3)     | OBSOLETE TIN .000080 MIN | T4 BRASS    | 60274-4 |
| (5)      | OBSOLETE SILVER          | T3 PHOS BRZ | 60274-3 |
|          | TIN                      | T3 PHOS BRZ | 60274-2 |
| OBSOLETE | -                        | T3 PHOS BRZ | 60274-1 |

|                                        |  |                  |          |                  |                            |                  |    |                                                  |        |            |    |               |           |                  |                  |
|----------------------------------------|--|------------------|----------|------------------|----------------------------|------------------|----|--------------------------------------------------|--------|------------|----|---------------|-----------|------------------|------------------|
| THIS DRAWING IS A CONTROLLED DOCUMENT. |  | DWN              | JR RUTH  | 6/7/91           | <b>STE</b> TE Connectivity |                  |    |                                                  |        |            |    |               |           |                  |                  |
| DIMENSIONS: INCHES                     |  | CHK              | MS FEHER | 6/7/91           |                            |                  |    | RECEPTACLE, FASTON, FLAG, LEFT HAND, .250 SERIES |        |            |    |               |           |                  |                  |
| TOLERANCES UNLESS OTHERWISE SPECIFIED: |  | APVD             | R REINER | 6/7/91           | NAME                       |                  |    |                                                  |        |            |    |               |           |                  |                  |
| 0 PLC ± -                              |  | PRODUCT SPEC     |          | SIZE             |                            |                  |    | CAGE CODE                                        |        | DRAWING NO |    | RESTRICTED TO |           |                  |                  |
| 1 PLC ± -                              |  | APPLICATION SPEC |          |                  |                            |                  | A3 |                                                  |        |            |    |               |           | 00779            |                  |
| 2 PLC ± -                              |  | WEIGHT           |          | CUSTOMER DRAWING |                            | 4:1              |    |                                                  | 1 OF 1 |            | M3 |               |           |                  |                  |
| 3 PLC ± .015                           |  | MATERIAL         |          |                  |                            |                  |    | SEE TABLE                                        |        |            |    |               | SEE TABLE |                  | CUSTOMER DRAWING |
| 4 PLC ± -                              |  | FINISH           |          | SEE TABLE        |                            | CUSTOMER DRAWING |    |                                                  |        | SCALE      |    | SHEET         |           |                  |                  |
| ANGLES ± -                             |  | MATERIAL         |          |                  |                            |                  |    | SEE TABLE                                        |        |            |    |               |           | CUSTOMER DRAWING |                  |
| FINISH                                 |  | MATERIAL         |          | SEE TABLE        |                            | CUSTOMER DRAWING |    |                                                  |        | SCALE      |    | SHEET         |           |                  |                  |
| SEE TABLE                              |  | MATERIAL         |          |                  |                            |                  |    | SEE TABLE                                        |        |            |    |               |           | CUSTOMER DRAWING |                  |

单击下面可查看定价，库存，交付和生命周期等信息

[>>TE Connectivity\(泰科\)](#)