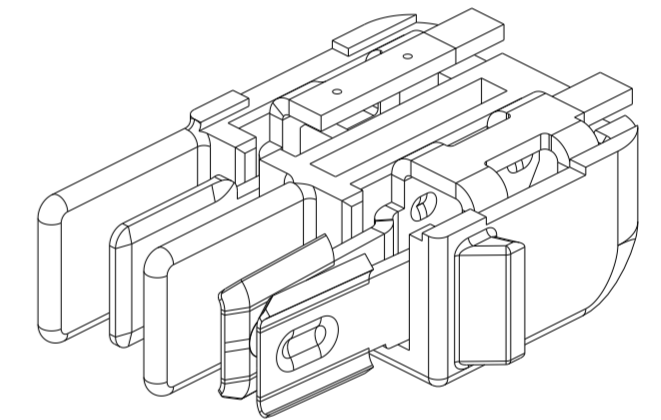
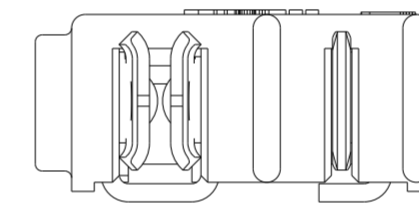
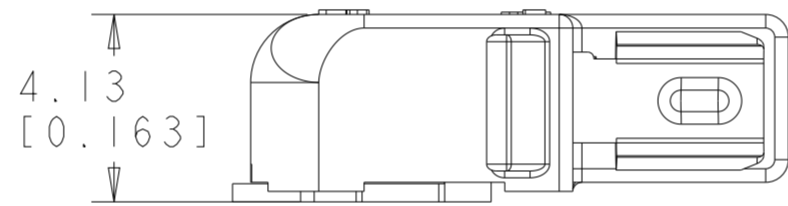
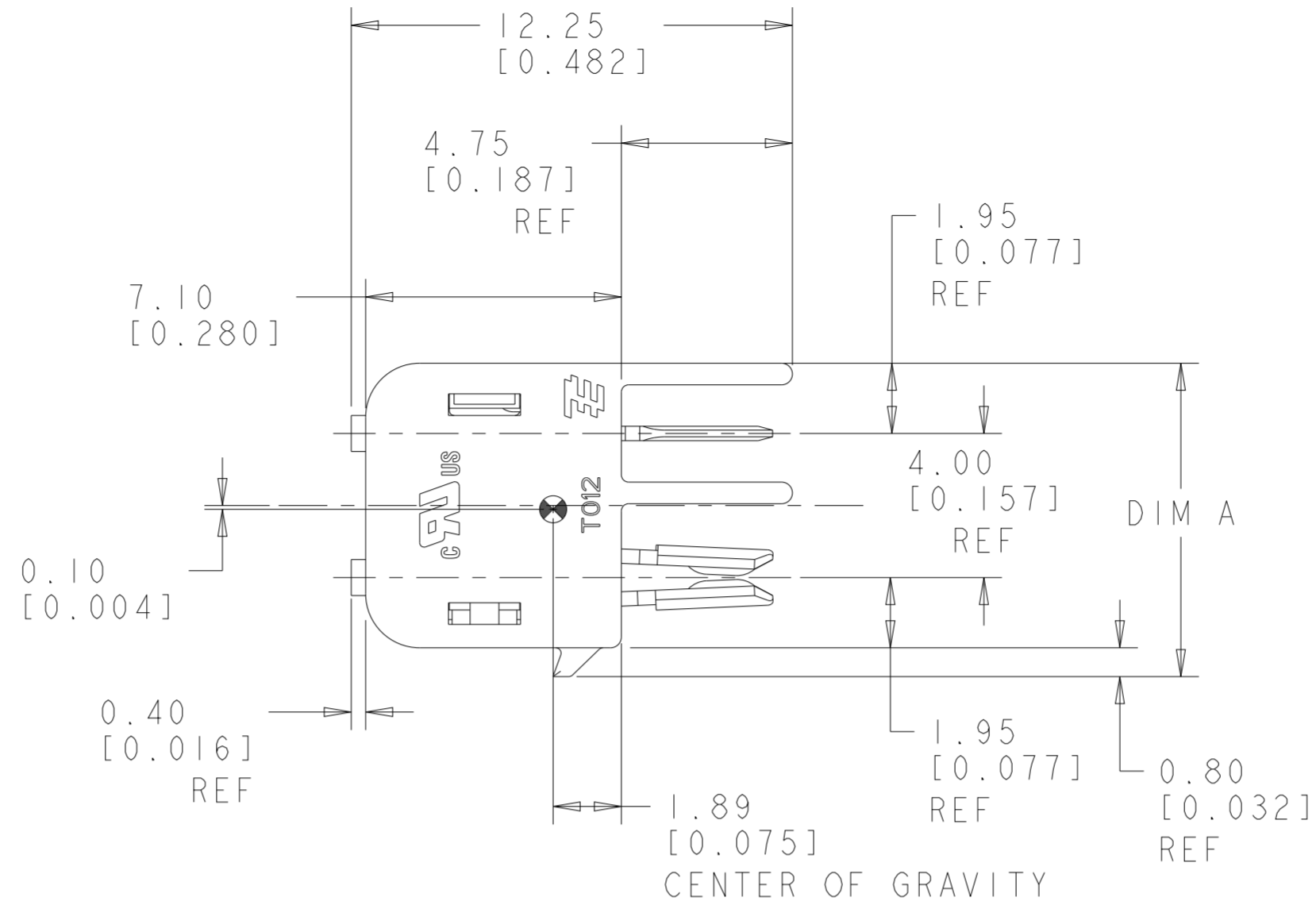


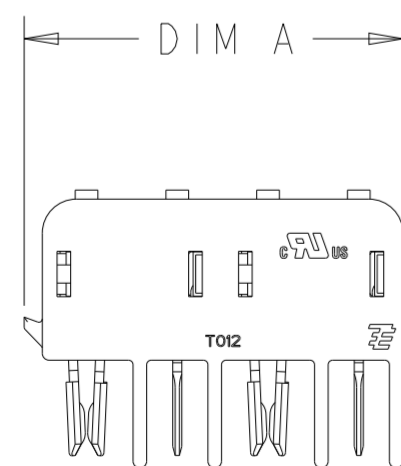
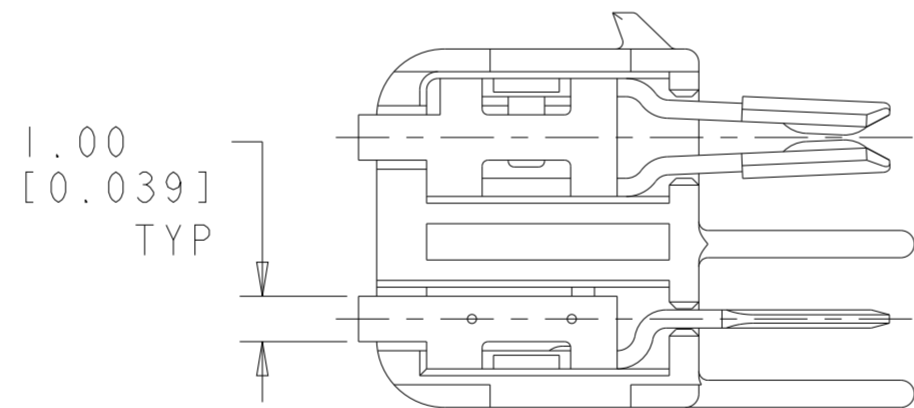
P	LTR	DESCRIPTION	DATE	DWN	APVD
A		REVISED PER ECR-14-005938	24APR2014	RS	DD
AI		REVISED PER ECR-21-003760	13APR2021	SR	JL

NOTES:

- 1. MATERIALS AND FINISH
 - HOUSING: LCP
 - CONTACTS: COPPER ALLOY, FINISH: GOLD
- 2. PRODUCT TO COMPLY WITH DIRECTIVE 2002/95/EC (ROHS)
- 3. PACKAGED IN TAPE AND REEL PER EIA-481 SPECIFICATIONS

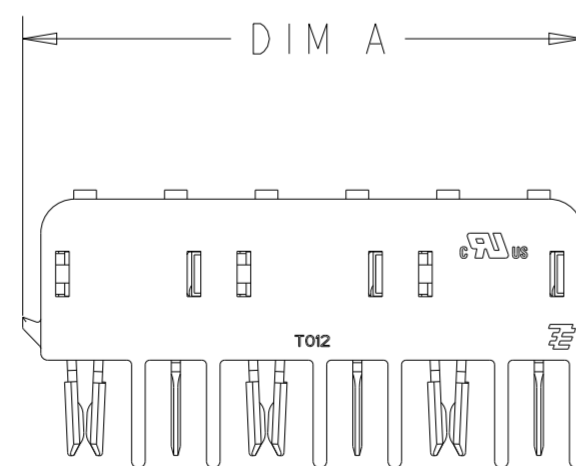


2213288-1/
1-2213288-1
SHOWN



2213288-2/
1-2213288-2

SCALE 3:1



2213288-3/
1-2213288-3

SCALE 3:1

OBSOLETE

POSITION	COLOR	DIM A	PART NO.
6	BLACK	24.70	1-2213288-3
4	BLACK	16.70	1-2213288-2
2	BLACK	8.70	1-2213288-1
6	NATURAL	24.70	2213288-3
4	NATURAL	16.70	2213288-2
2	NATURAL	8.70	2213288-1

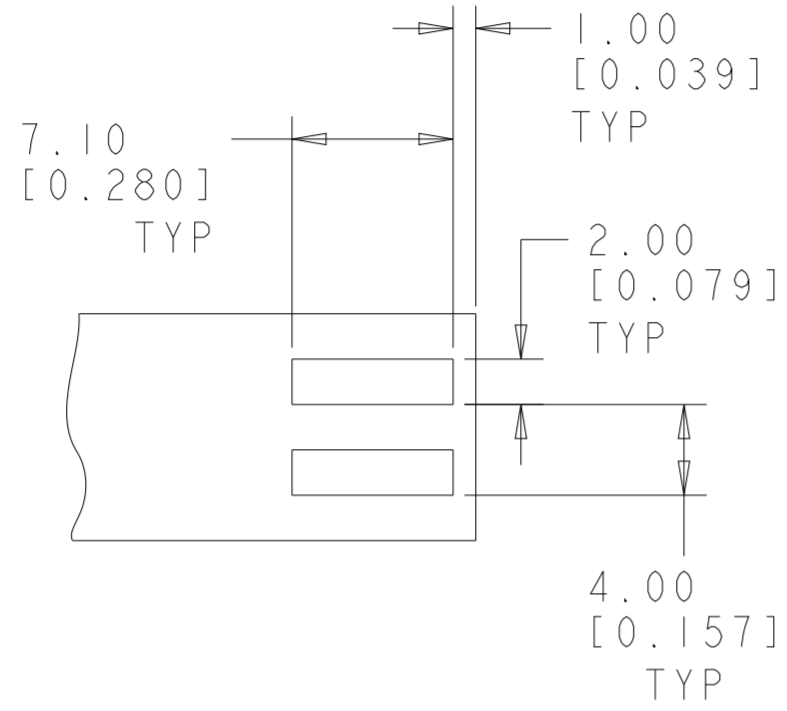
THIS DRAWING IS A CONTROLLED DOCUMENT.

DIMENSIONS:	TOLERANCES UNLESS OTHERWISE SPECIFIED:	DWN	RAVLS	09APR2013
mm	0 PLC ±	CHK	D_DECKER	09APR2013
	1 PLC ±0.13	APVD	D_DECKER	09APR2013
	2 PLC ±0.13	PRODUCT SPEC		108-2342
	3 PLC ±0.013	APPLICATION SPEC		114-13225
	4 PLC ±	WEIGHT		-
	ANGLES ±1°	CUSTOMER DRAWING		
MATERIAL	FINISH	SIZE	CAGE CODE	DRAWING NO.
		A2	00779	C-2213288

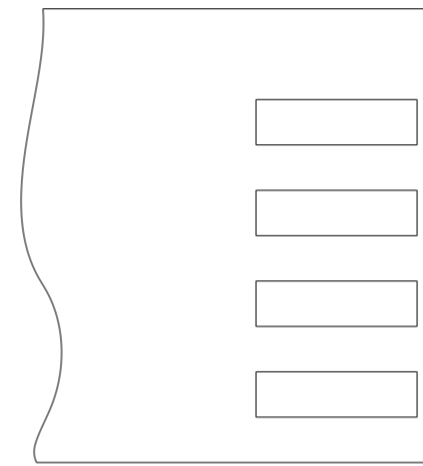
RESTRICTED TO

SCALE 6:1 SHEET 1 OF 2 REV AI

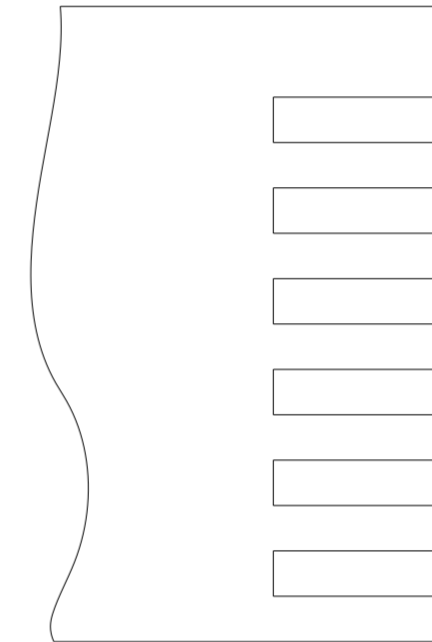
P	LTR	DESCRIPTION	DATE	DWN	APVD
-		SEE SHEET 1	-	-	-



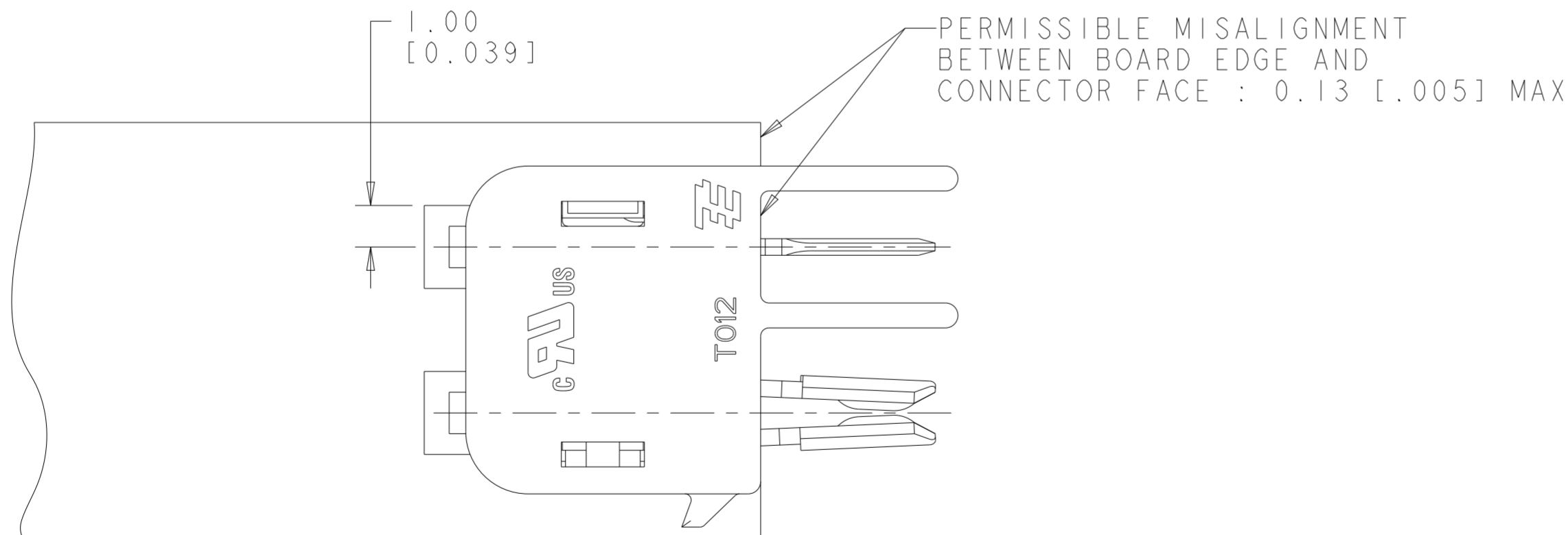
RECOMMENDED PCB LAYOUT FOR 2213288-1 & 1-2213288-1



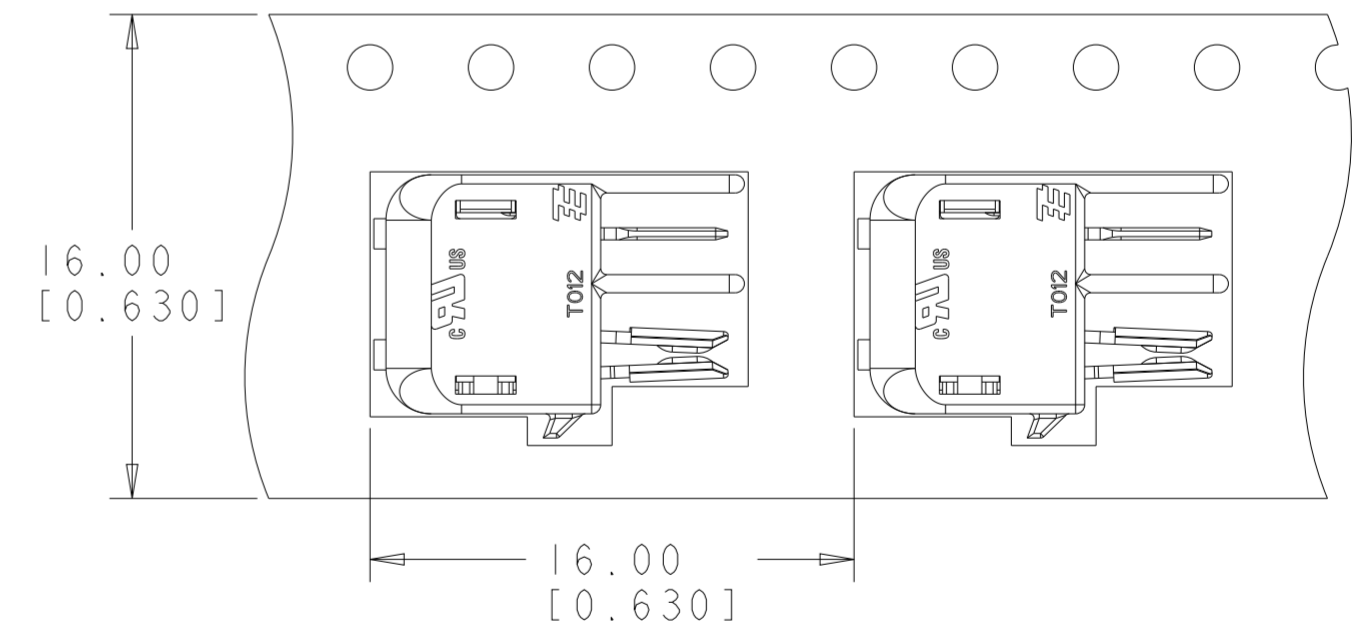
RECOMMENDED PCB LAYOUT FOR 2213288-2 & 1-2213288-2



RECOMMENDED PCB LAYOUT FOR 2213288-3 & 1-2213288-3



SCALE 8:1



TO BE PACKAGED AS SHOWN
SCALE 4:1

THIS DRAWING IS A CONTROLLED DOCUMENT.		DWN RAVLS 09APR2013	TE Connectivity	
DIMENSIONS: mm		CHK D. DECKER 09APR2013		
TOLERANCES UNLESS OTHERWISE SPECIFIED:		APVD D. DECKER 09APR2013	NAME CONNECTOR ASSEMBLY, HERMAPHRODITIC BLADE AND RECEPTACLE, WITH LATCH	
0 PLC ±	1 PLC ±	PRODUCT SPEC 108-2342	SIZE A2	CAGE CODE 00779
2 PLC ±0.13	3 PLC ±0.013	APPLICATION SPEC 114-13225	DRAWING NO C-2213288	RESTRICTED TO
4 PLC ±	ANGLES ±1°	WEIGHT -	SCALE 6:1	SHEET 2 OF 2
MATERIAL	FINISH	CUSTOMER DRAWING	REV A1	

单击下面可查看定价，库存，交付和生命周期等信息

[>>TE Connectivity\(泰科\)](#)