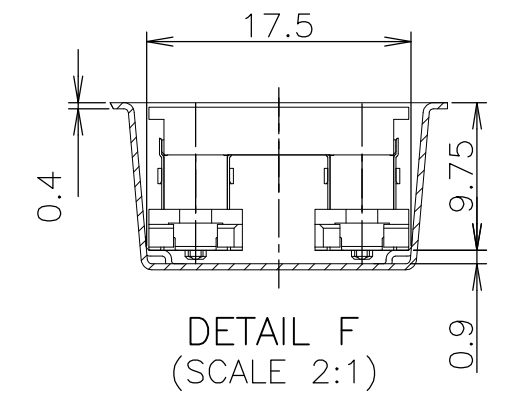
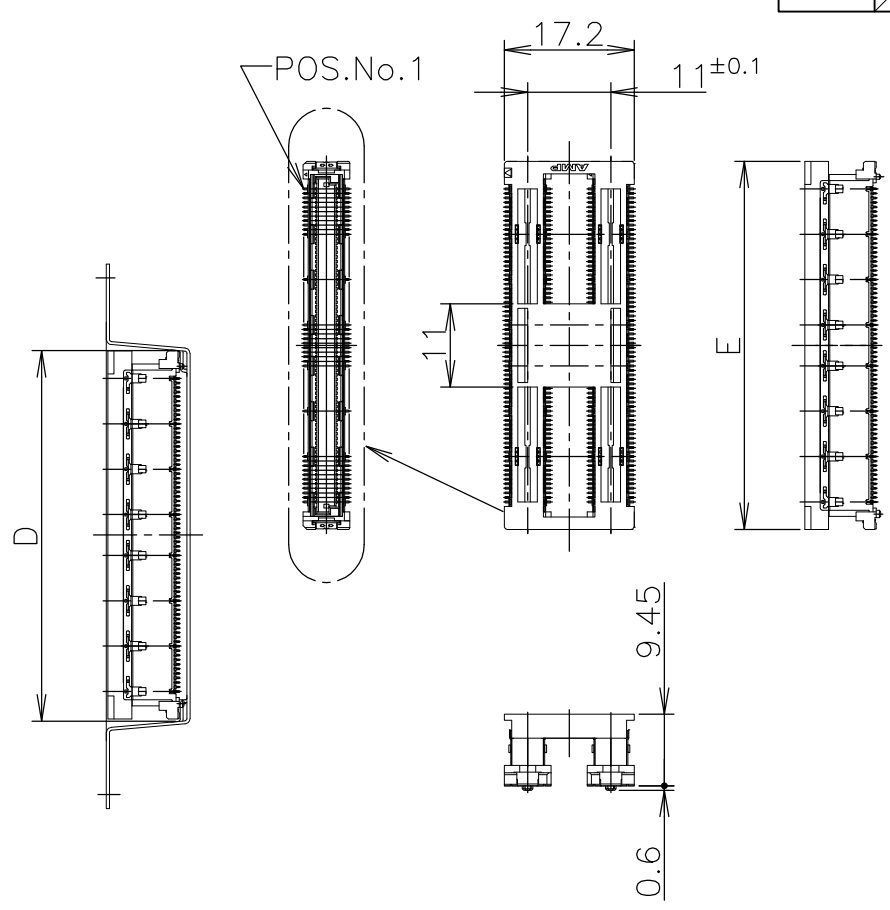
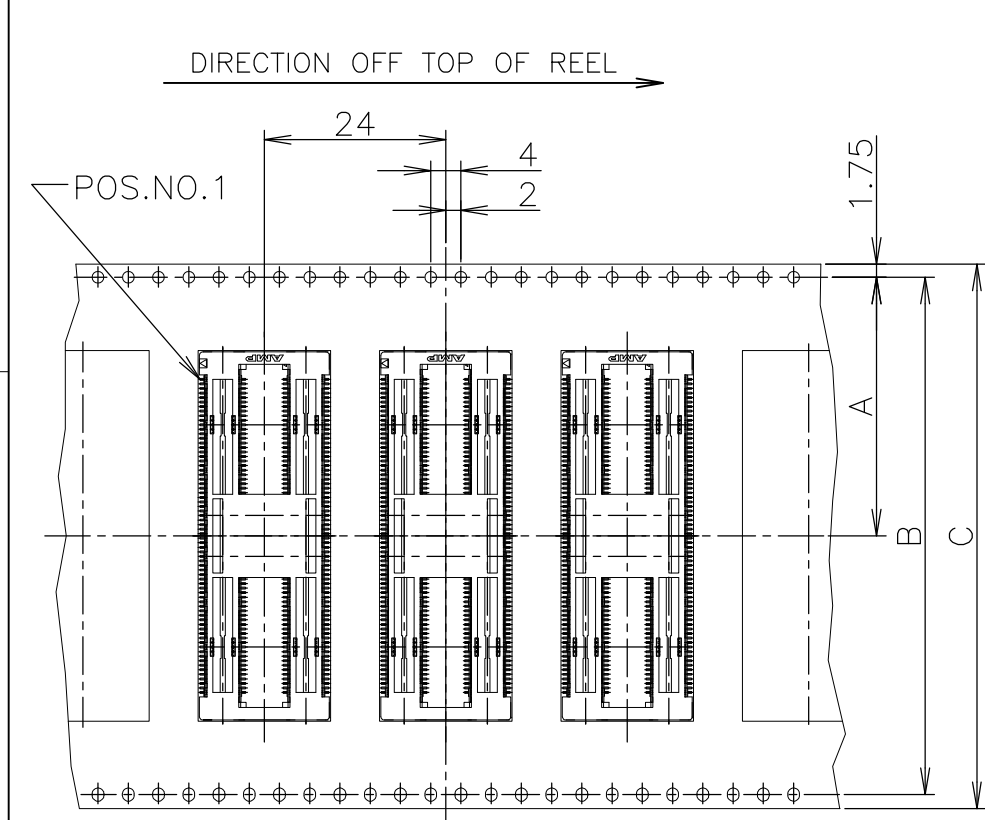
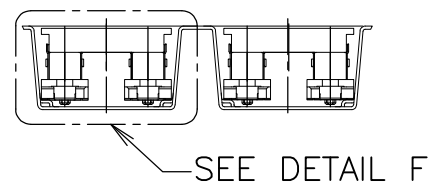


THIS DRAWING IS UNPUBLISHED. RELEASED FOR PUBLICATION JUN , 1996.
 © COPYRIGHT 1996 BY TYCO ELECTRONICS CORPORATION. ALL RIGHTS RESERVED.

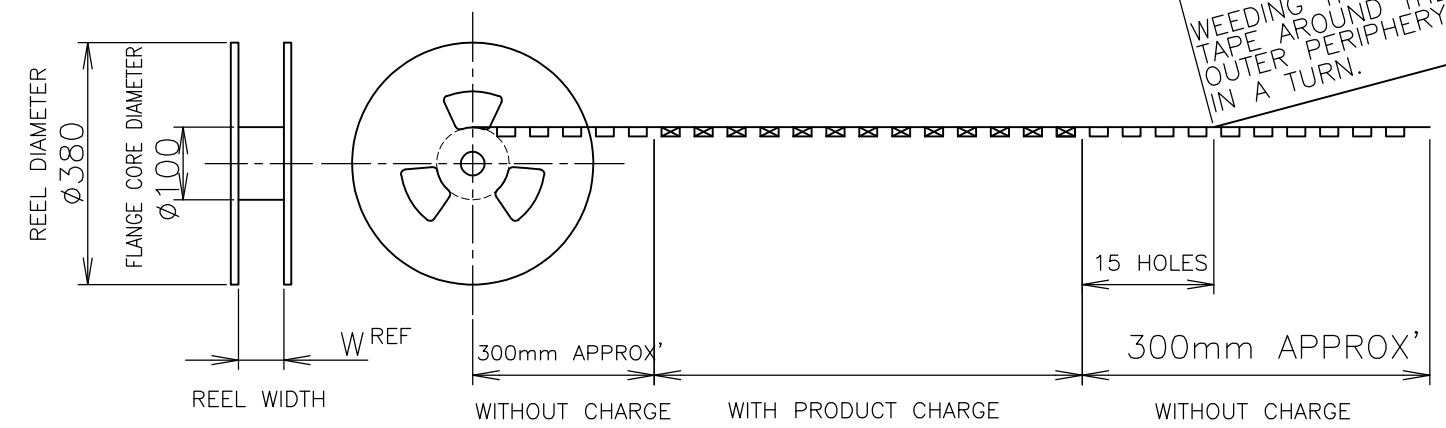
LOC	DIST	REVISIONS					
		P	LTR	DESCRIPTION	DATE	DWN	APVD
J		A	REVISED	ECR-08-000339	01FEB08	T.T	T.F
		B	REVISED	PER ECO-17-002393	27MAY17	B.J	S.Y



CONNECTOR DETAIL



WEEDING THE COVER TAPE AROUND THE OUTER PERIPHERY IN A TURN.



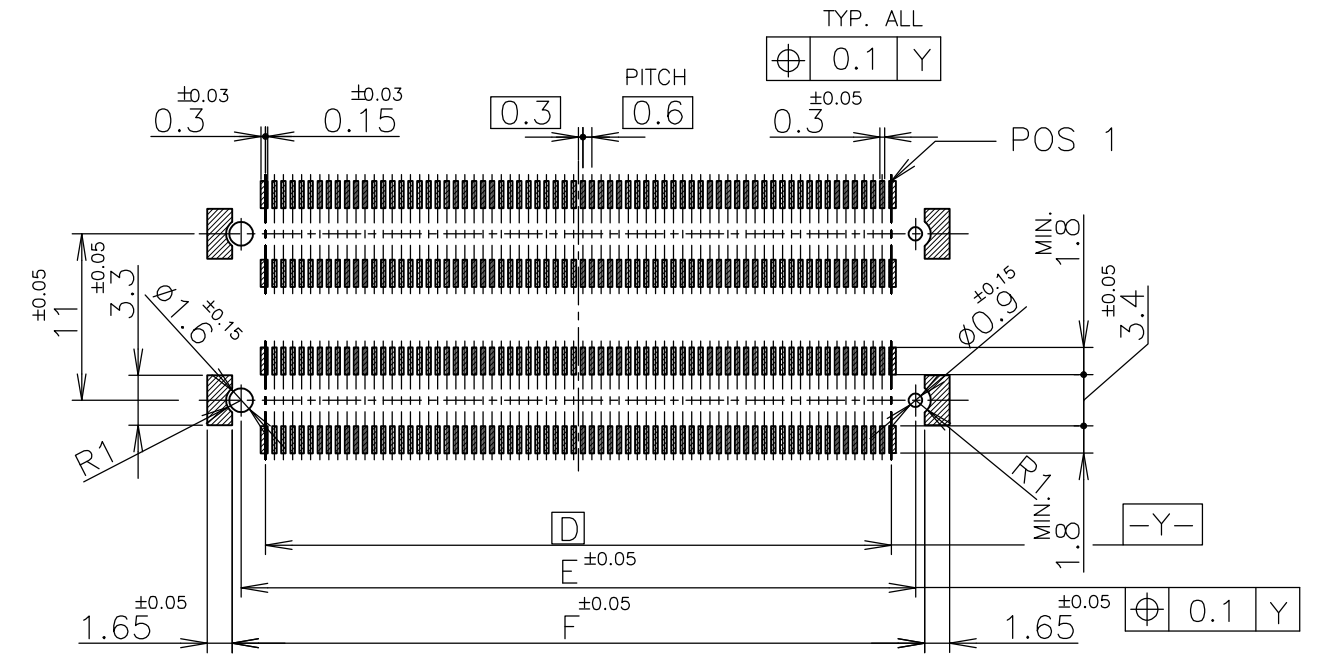
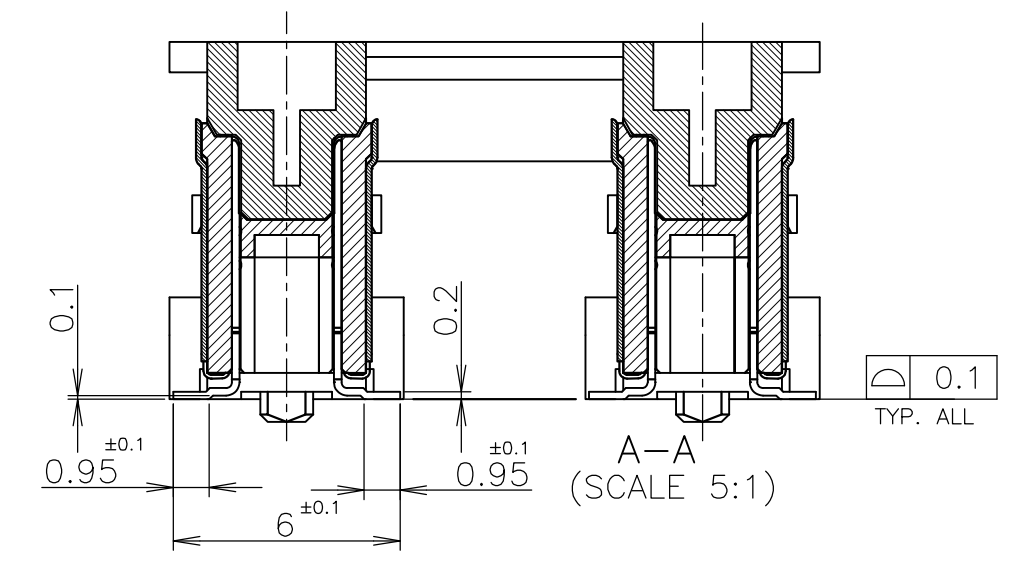
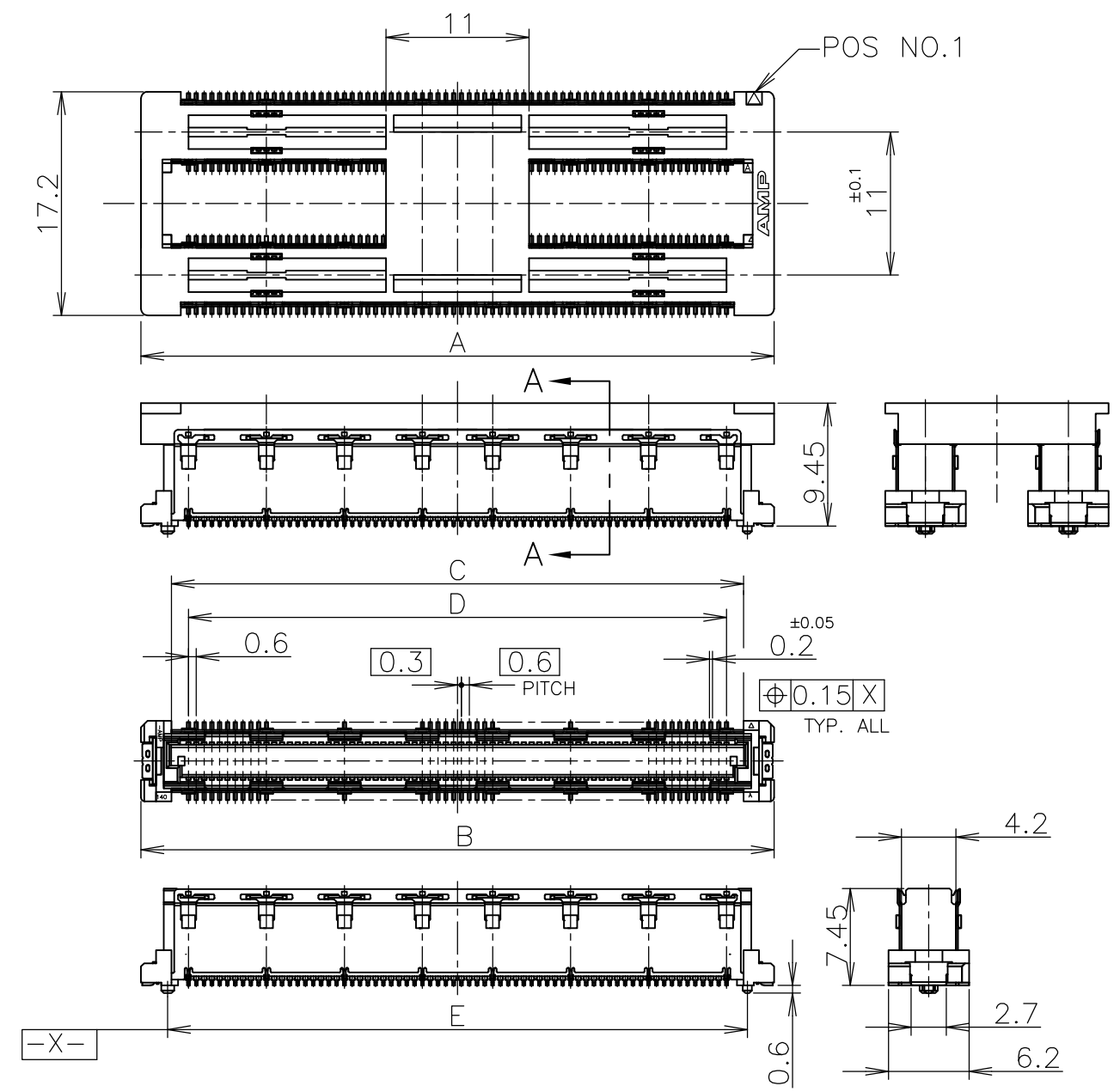
SEALANT	TOOLING STATUS	QTY.	W	E	D	C	B	A	POS.	PART NO.
SEALANT	NOT AVAILABLE	300	77.5	54.7	55	72	68.4	34.2	320	6-5353233-1
	AVAILABLE	↑	77.5	48.7	49	72	68.4	34.2	280	6-0
NON SEALANT	NOT AVAILABLE	300	61.5	42.7	43	56	52.4	26.2	240	5-9
	NOT AVAILABLE	300	61.5	36.7	37	56	52.4	26.2	200	5-5353233-8
NON SEALANT	NOT AVAILABLE	300	77.5	54.7	55	72	68.4	34.2	320	1-5353233-1
	AVAILABLE	↑	77.5	48.7	49	72	68.4	34.2	280	1-0
NON SEALANT	NOT AVAILABLE	300	61.5	42.7	43	56	52.4	26.2	240	-9
	NOT AVAILABLE	300	61.5	36.7	37	56	52.4	26.2	200	5353233-8

THIS PRODUCT WAS COATED BY FLUX-PENETRATION-INHIBITING AGENT.

THIS DRAWING IS A CONTROLLED DOCUMENT.		DWN HAWKING HE 14DEC04	Tyco Electronics Corporation Kawasaki, Japan		
DIMENSIONS: 單位: 耗 mm		CHK STEVEN YAO 14DEC04	NAME I.ENOMOTO		
TOLERANCES UNLESS OTHERWISE SPECIFIED: 一般公差		APVD I.ENOMOTO 14DEC04	PRODUCT SPEC 製品規格 108-60047		
0 PLC ± 0.2 1 PLC ± 0.2 2 PLC ± 0.2 3 PLC ± 0.2 4 PLC ± 0.2 PLC ANGLES ± 5'		APPLICATION SPEC 取付適用規格 114-5255	APPLICATION SPEC 取付適用規格 114-5255		
MATERIAL 材料	FINISH 仕上	WEIGHT	SIZE A3	CAGE CODE 00779	DRAWING NO C-5353233
CUSTOMER DRAWING			RESTRICTED TO	SCALE 尺度 1:1	SHEET 1 OF 3

THIS DRAWING IS UNPUBLISHED. RELEASED FOR PUBLICATION JUN ,1996.
 © COPYRIGHT 1996 BY TYCO ELECTRONICS CORPORATION. ALL RIGHTS RESERVED.

LOC	DIST	REVISIONS			DATE	DWN	APVD
		P	LTR	DESCRIPTION			
J	/	-	-	SEE SHEET 1	-	-	-



REFERENCE P.C.BOARD LAYOUT

51.8	50.6	47.4	50	54.7	54.7	320	1-353120-1
45.8	44.6	41.4	44	48.7	48.7	280	1- -0
39.8	38.6	35.4	38	42.7	42.7	240	-9
33.8	32.6	29.4	32	36.7	36.7	200	353120-8
F	E	D	C	B	A	POS	CAP P/N

- 1 MATERIAL ; HOUSING : HIGH TEMP THERMO PLASTIC
UL94V-0
CONTACT : COPPER ALLOY
- 2 FINISH ; UNDER PL Ni 0.0013mm MIN ALL OVER.
CONTACT AREA 0.0002 MIN Au PL.
SOLDERING AREA 0.001 MIN TIN PL.
- 3 THIS POSITION IS GROUND CIRCUIT.

GENERAL TOLERANCE
一般公差

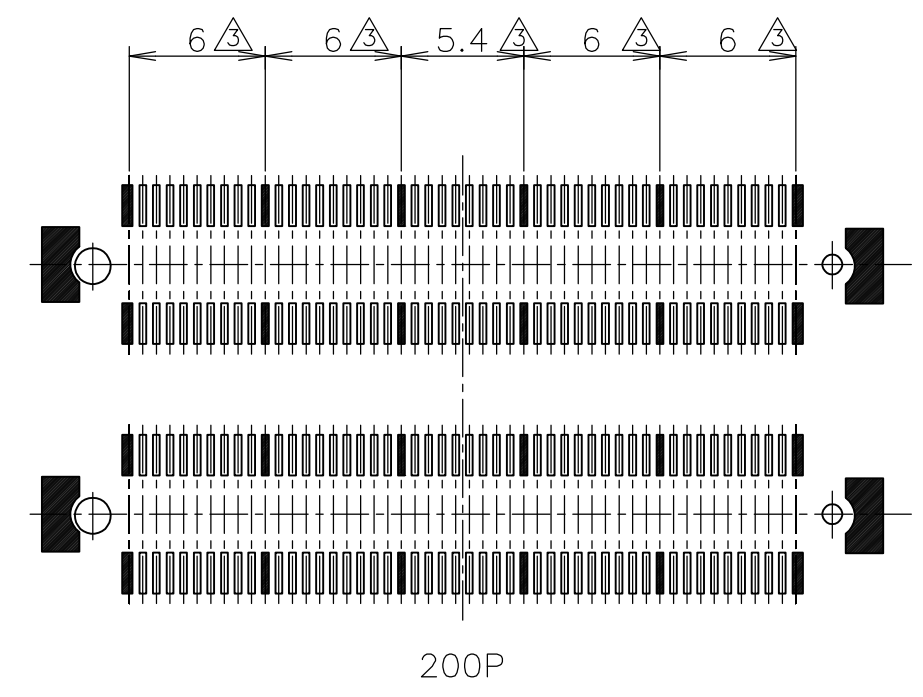
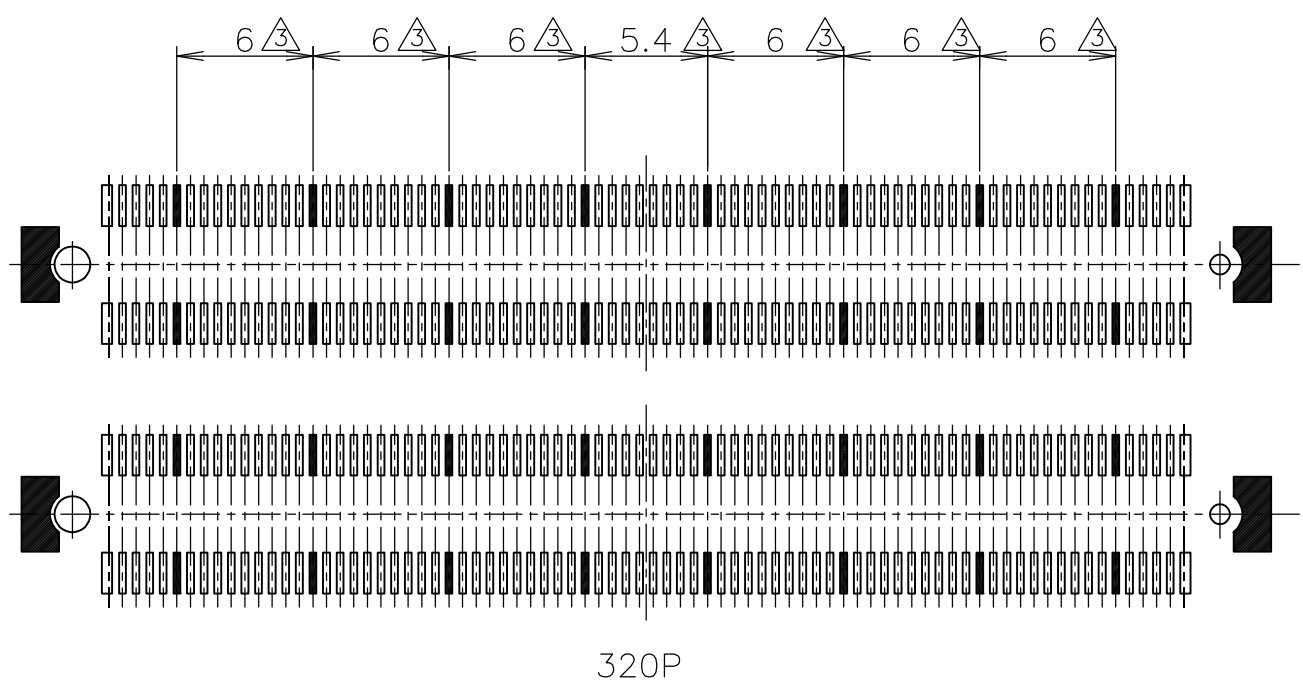
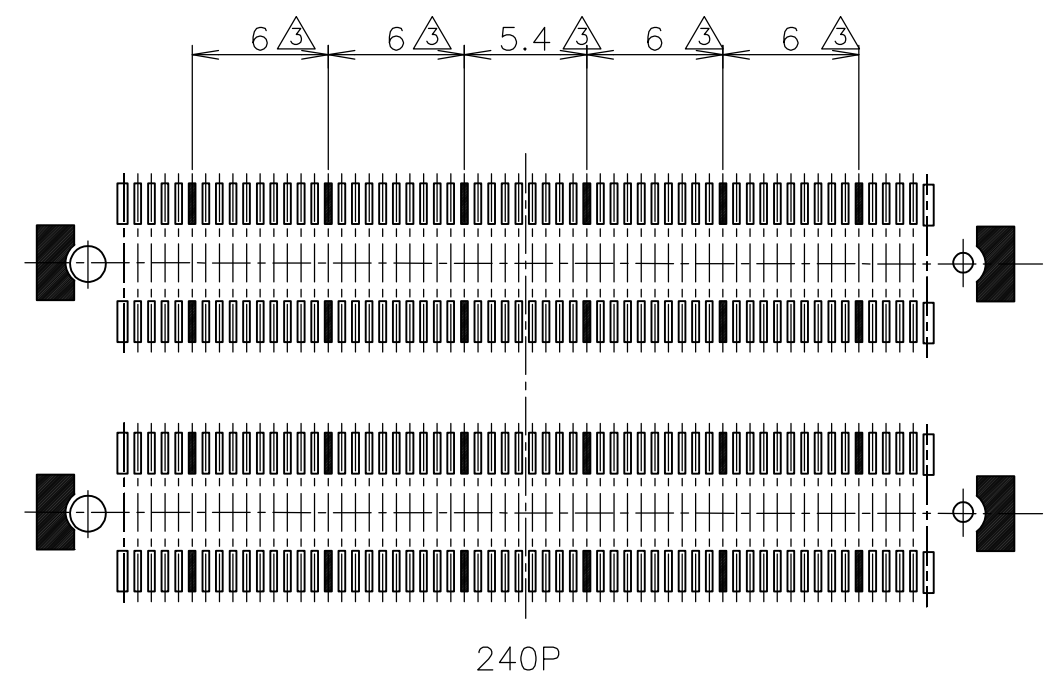
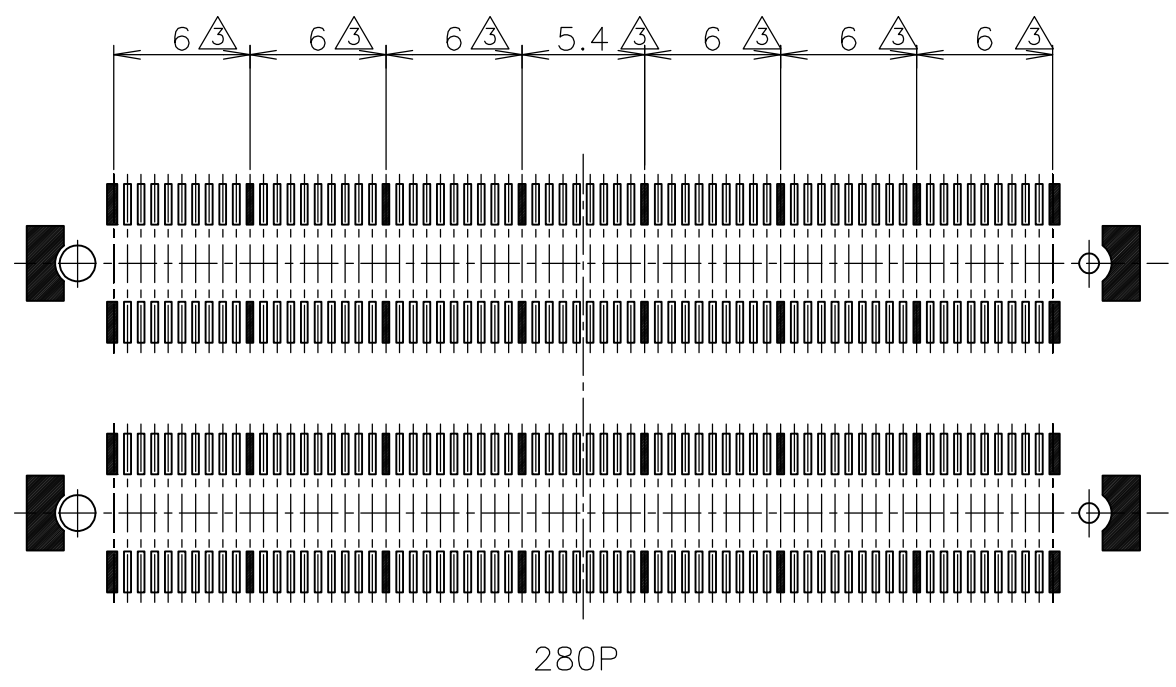
10 ≥	±0.2
30 ≥	>10:±0.25
100 ≥	>30:±0.3
ANGLES:±3°	

THIS DRAWING IS A CONTROLLED DOCUMENT.

DIMENSIONS: 単位: 耗 mm	TOLERANCES UNLESS OTHERWISE SPECIFIED: 一般公差	DWN	Tyco Electronics Corporation Kawasaki, Japan			
	0 PLC ±- 1 PLC ±- 2 PLC ±- 3 PLC ±- 4 PLC ±- ANGLES ±-	CHK	NAME 名称			
		APVD	EMBOSS ASSY FH 0.6BTB CONNECTOR PLUG 8H 2ROW TYPE W/G-PLATE			
MATERIAL 材料	FINISH 仕上	PRODUCT SPEC 製品規格	SIZE	CAGE CODE	DRAWING NO 番号	RESTRICTED TO
		APPLICATION SPEC 取付適用規格	A3	00779	G-5353233	
CUSTOMER DRAWING		WEIGHT	SCALE 尺度 2:1		SHEET 2 OF 3	REV B

THIS DRAWING IS UNPUBLISHED. RELEASED FOR PUBLICATION JUN , 1996.
 © COPYRIGHT 1996 BY TYCO ELECTRONICS CORPORATION. ALL RIGHTS RESERVED.

LOC	DIST	REVISIONS			DATE	DWN	APVD
		P	LTR	DESCRIPTION			
J				SEE SHEET 1	-	-	-



GENERAL TOLERANCE
 一般公差
 10 ≥ ±0.2
 30 ≥ >10: ±0.25
 100 ≥ >30: ±0.3
 ANGLES: ±3°

THIS DRAWING IS A CONTROLLED DOCUMENT.		DWN	Tyco Electronics Corporation Kawasaki, Japan	
DIMENSIONS: 単位: 耗 mm	TOLERANCES UNLESS OTHERWISE SPECIFIED: 一般公差	CHK	NAME 名称	
	0 PLC ±-	APVD	B	
	1 PLC ±-	PRODUCT SPEC 製品規格	FH 0.6BTB CONNECTOR	
	2 PLC ±-	APPLICATION SPEC 取付適用規格	PLUG 8H 2ROW TYPE W/G-PLATE	
	3 PLC ±-	WEIGHT	SIZE	RESTRICTED TO
MATERIAL 材料	FINISH 仕上	CAGE CODE	DRAWING NO 番号	
			A3 00779	G-5353233
CUSTOMER DRAWING		SCALE 尺度	SHEET	REV
		3:1	3 OF 3	B

单击下面可查看定价，库存，交付和生命周期等信息

[>>TE Connectivity\(泰科\)](#)