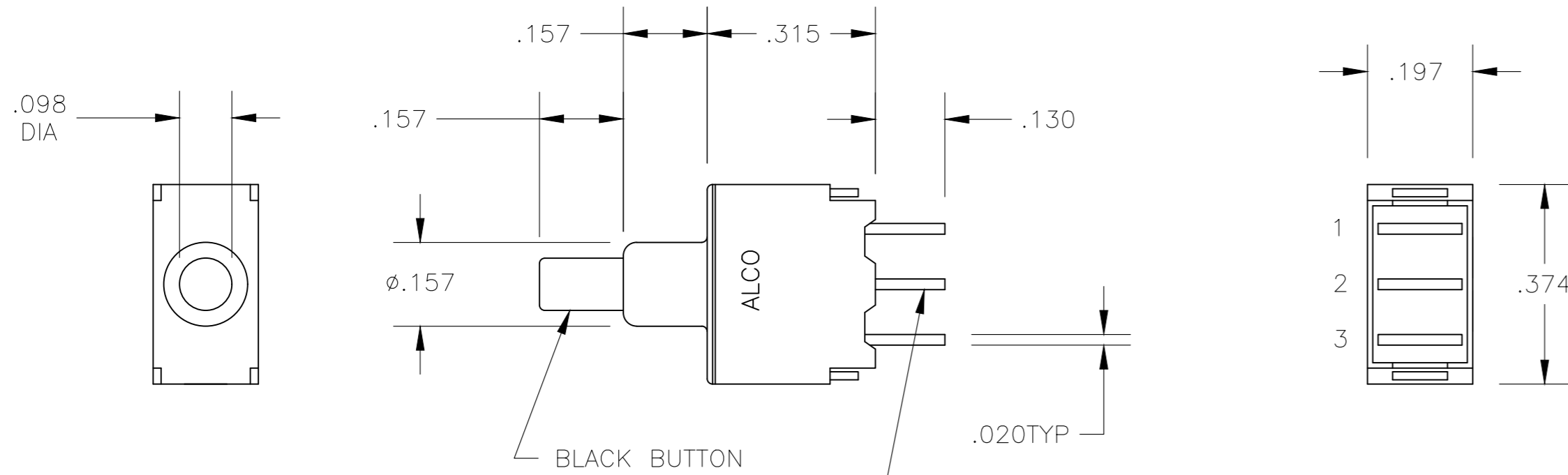


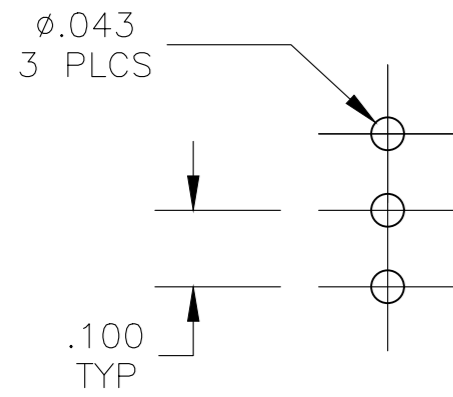
THIS DRAWING IS UNPUBLISHED. RELEASED FOR PUBLICATION
 © COPYRIGHT - TE Connectivity ALL RIGHTS RESERVED.

REVISIONS					
P	LTR	DESCRIPTION	DATE	DWN	APVD
	A1	REVISED PER ECO-17-001162	14AUG2017	SK	PO



NOTES

1. TERMINAL NUMBERS ARE FOR REFERENCE ONLY AND DO NOT APPEAR ON SWITCHES.
2. ALL MATERIALS AND FINISHES SHALL COMPLY WITH EU DIRECTIVE 2003/95/EC OF 27JAN2003 (ROHS).



PC HOLE LAYOUT

MATERIALS		
COMPONENT NAME	BASE MATERIAL	FINISH
HOUSING	PBT, UL94 V-0, GRAY	
FRAME	BRASS	NICKEL
BUTTON	PBT, UL94 HB, BLACK	
MOVABLE CONTACT	PHOSPHOR BRONZE	GOLD OVER NICKEL
TERMINAL (CONTACT AREA)	PHOSPHOR BRONZE	GOLD OVER NICKEL
TERMINAL (SOLDER AREA)	PHOSPHOR BRONZE	GOLD OVER NICKEL

SPECIFICATIONS

CURRENT RATING, MAX.	50mA @ 48 VDC OR PEAK AC (2.4VA)
CURRENT RATING, MIN.	1µA @ 20 VDC OR PEAK AC (.02VA)
TERMINATION RESISTANCE	50 MILLIOHMS MAX AT 1.5mA 200µVAC
INSULATION RESISTANCE	1000 MEGOHMS MIN @ 500 VDC
DIELECTRIC WITHSTANDING VOLTAGE	500 V RMS AT SEA LEVEL
OPERATING TEMPERATURE	-20°C to +85°C
STORAGE TEMPERATURE	-40°C to +85°C
PLUNGER TRAVEL	.047±.010
ELECTRICAL LIFE	
50mA @ 48 VDC OR PEAK AC	10,000 CYCLES
1µA @ 20 VDC OR PEAK AC	50,000 CYCLES
.4VA MAX @ 20 VDC OR PEAK AC	

	2-1	2-3	(ON)	ON	.157	PC	2	1	APB1FGPC04	1825176-3
OBSOLETE	1-3	OFF	(ON)	OFF	.157	PC	1	1	APB1CGPC04	1825176-2
	TERMINALS CONNECTED	FUNCTION		ACTUATOR LENGTH	TERMINAL	THROWS	POLES	ALCO P/N	TE P/N	

THIS DRAWING IS A CONTROLLED DOCUMENT.

DWN MKC	02DEC05		TE Connectivity			
CHK -	-		APB SERIES PUSHBUTTON SWITCH, PC TERMINALS			
APVD -	-		SIZE	CAGE CODE	DRAWING NO	RESTRICTED TO
PRODUCT SPEC -	-		0	A2 00779	C-1825176	-
APPLICATION SPEC -	-	WEIGHT	SCALE	SHEET	REV	
MATERIAL -	FINISH -	0	4:1	1 of 1	A1	

CUSTOMER DRAWING

单击下面可查看定价，库存，交付和生命周期等信息

[>>TE Connectivity\(泰科\)](#)