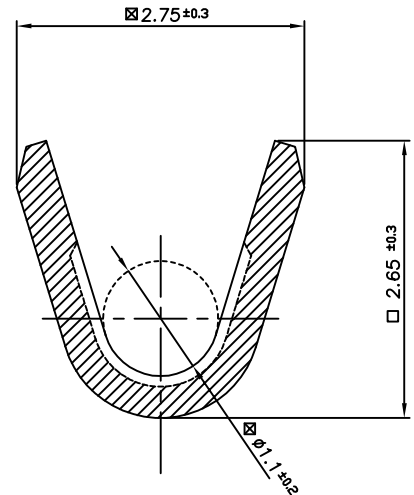
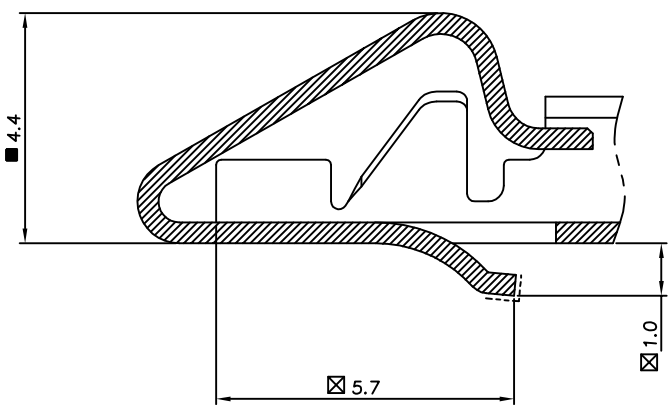
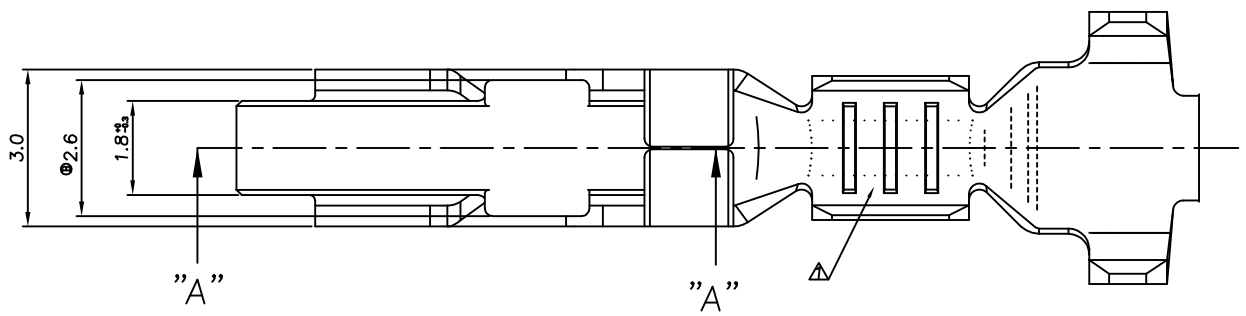
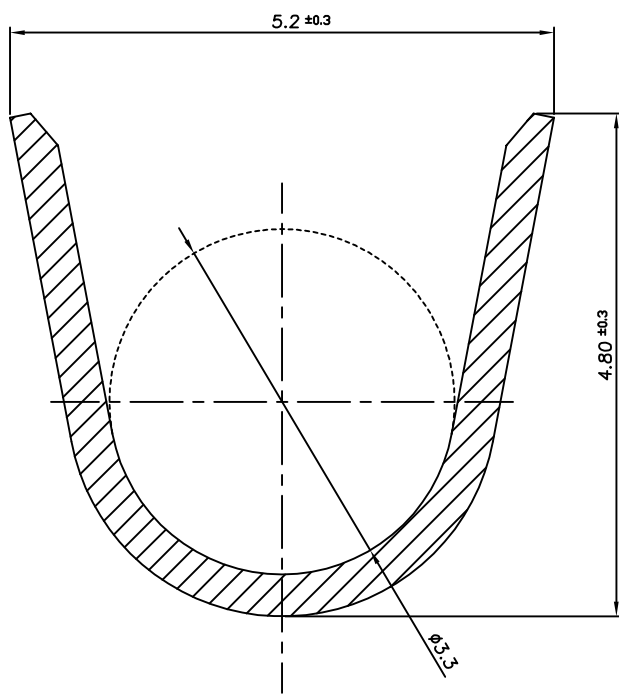
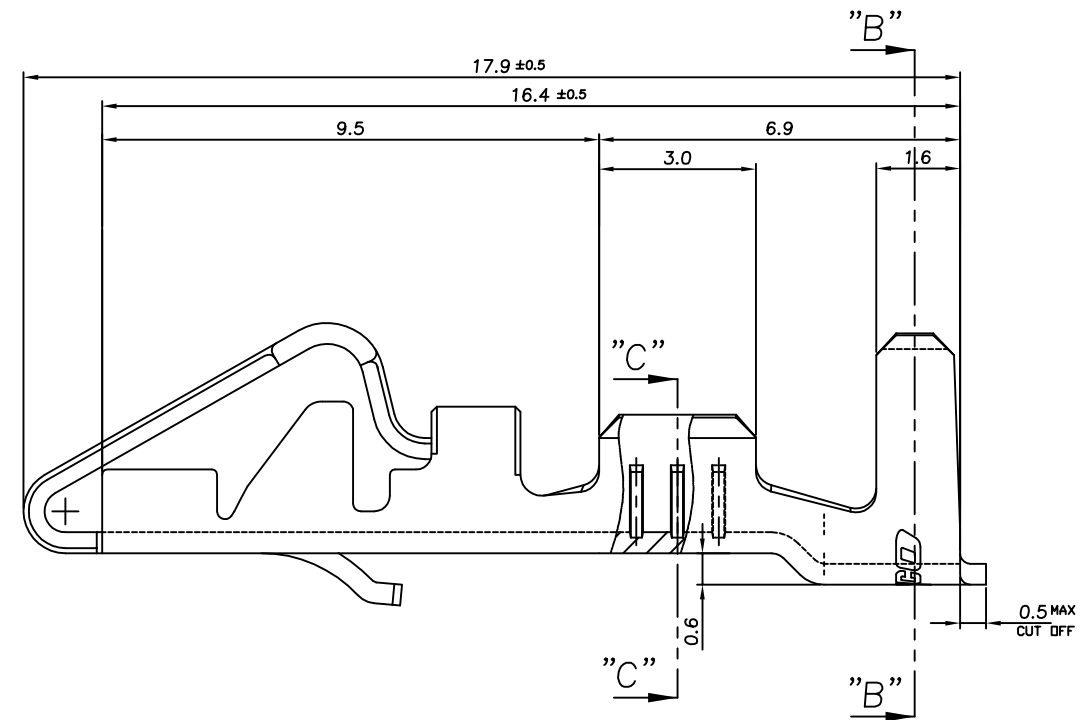


THIS DRAWING IS UNPUBLISHED. RELEASED FOR PUBLICATION. ALL RIGHTS RESERVED. © COPYRIGHT

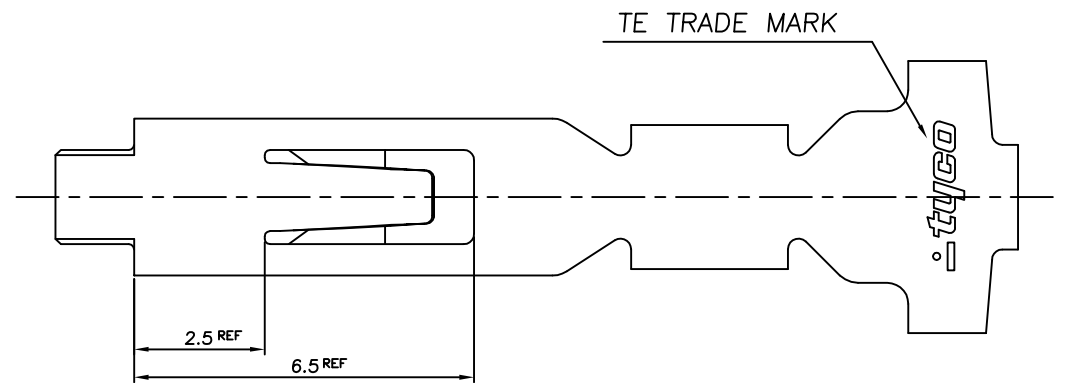
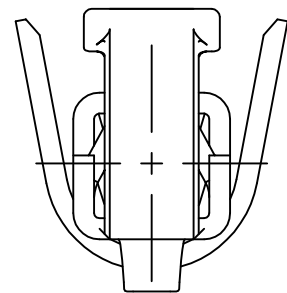
LOC		DIST		REVISIONS			
P	LTR	DESCRIPTION	DATE	DWN	APVD		
A		RELEASED	24.JAN.'08	IS	JK		
B		REVISED	11.MAR.'08	IS	HG		



SECTION "C-C" Scale 20/1



SECTION "B-B" Scale 20/1



* NOTES
 △ THREE SERRATIONS CENTERED IN WIRE BARREL.
 2 WIRE SIZE EQUIV AVS 0.5~ AVS 0.85 Sqmm.

PRE-TINNED	Cu Alloy	0.40THK.	1897369-1
FINISH	MATERIAL		PART NUMBER

<small>THIS DRAWING IS A CONTROLLED DOCUMENT FOR TYCO ELECTRONICS CORPORATION. IT IS SUBJECT TO CHANGE AND THE CONTROLLING ENGINEERING ORGANIZATION SHOULD BE CONTACTED FOR THE LATEST REVISIONS.</small>		DWN IS WDD	TE Connectivity	
DIMENSIONS: MM	<small>TOLERANCES UNLESS OTHERWISE SPECIFIED:</small> 0-PLC ± 1-PLC ± 2-PLC ± ±0.3 3-PLC ± 4-PLC ± ANGLES ± 2° FINISH -	CHK YM CHDI	NAME	
		APVD HG CHD	RECEPTACLE FOR T-20 BULB ASS'Y	
MATERIAL	-	PRODUCT SPEC	SIZE	CAGE CODE
		APPLICATION SPEC	A200779	DRAWING NO
		WEIGHT	C=1897369	RESTRICTED TO
		CUSTOMER DRAWING	SCALE 10/1	SHEET 1 OF 1 REV B

单击下面可查看定价，库存，交付和生命周期等信息

[>>TE Connectivity\(泰科\)](#)