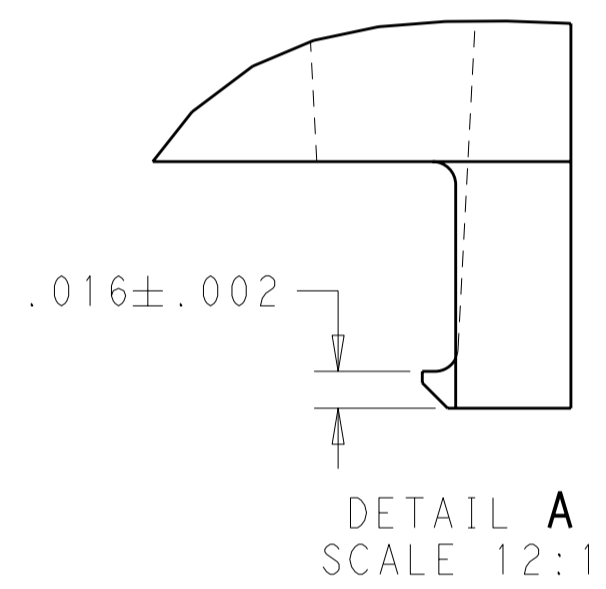
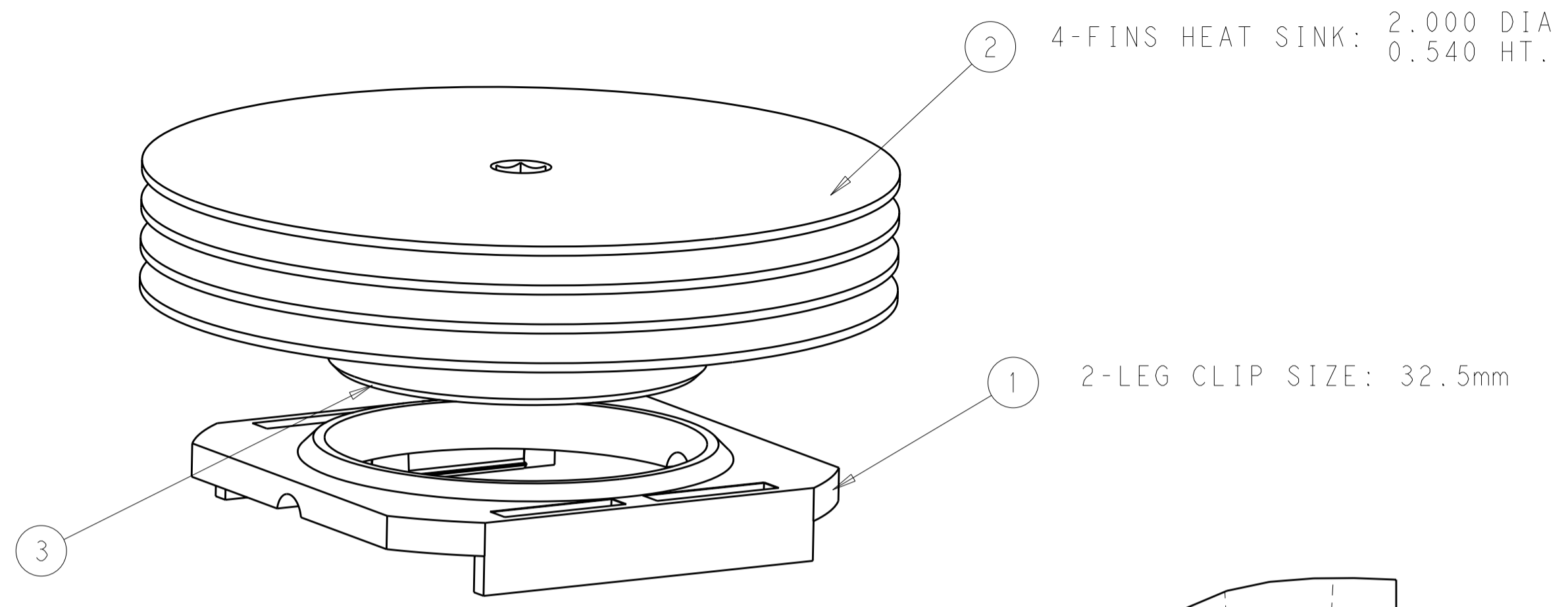
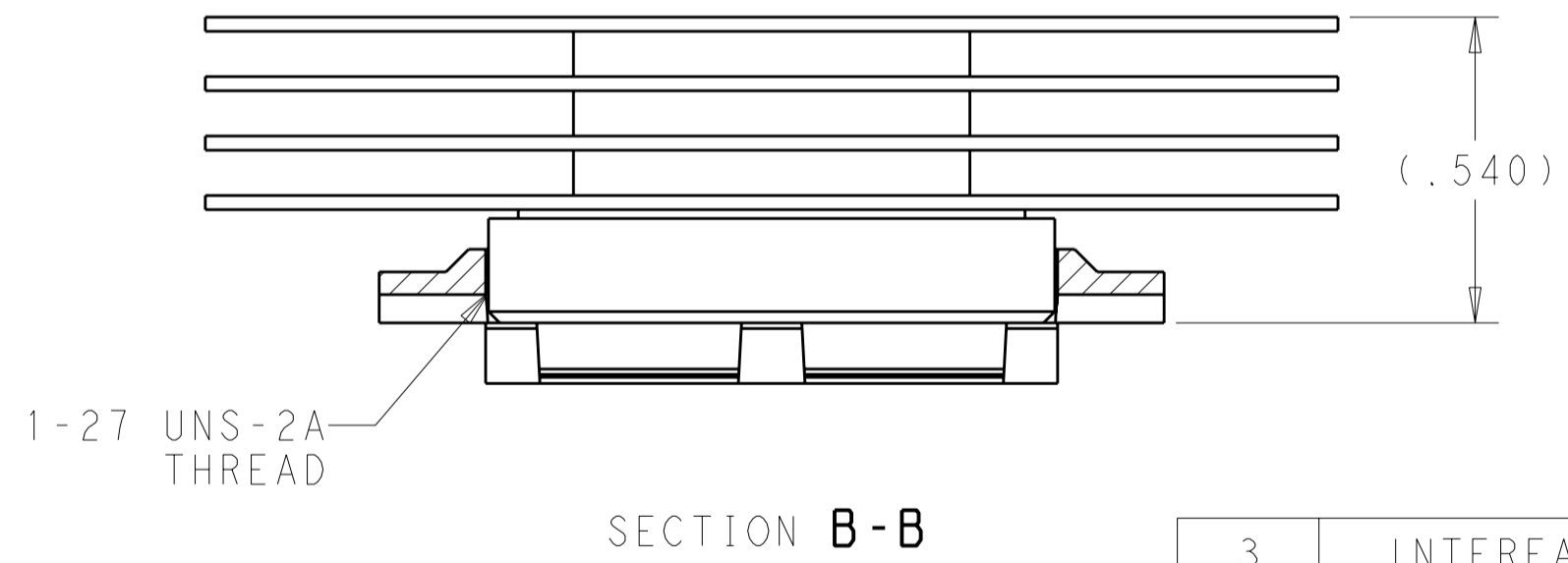
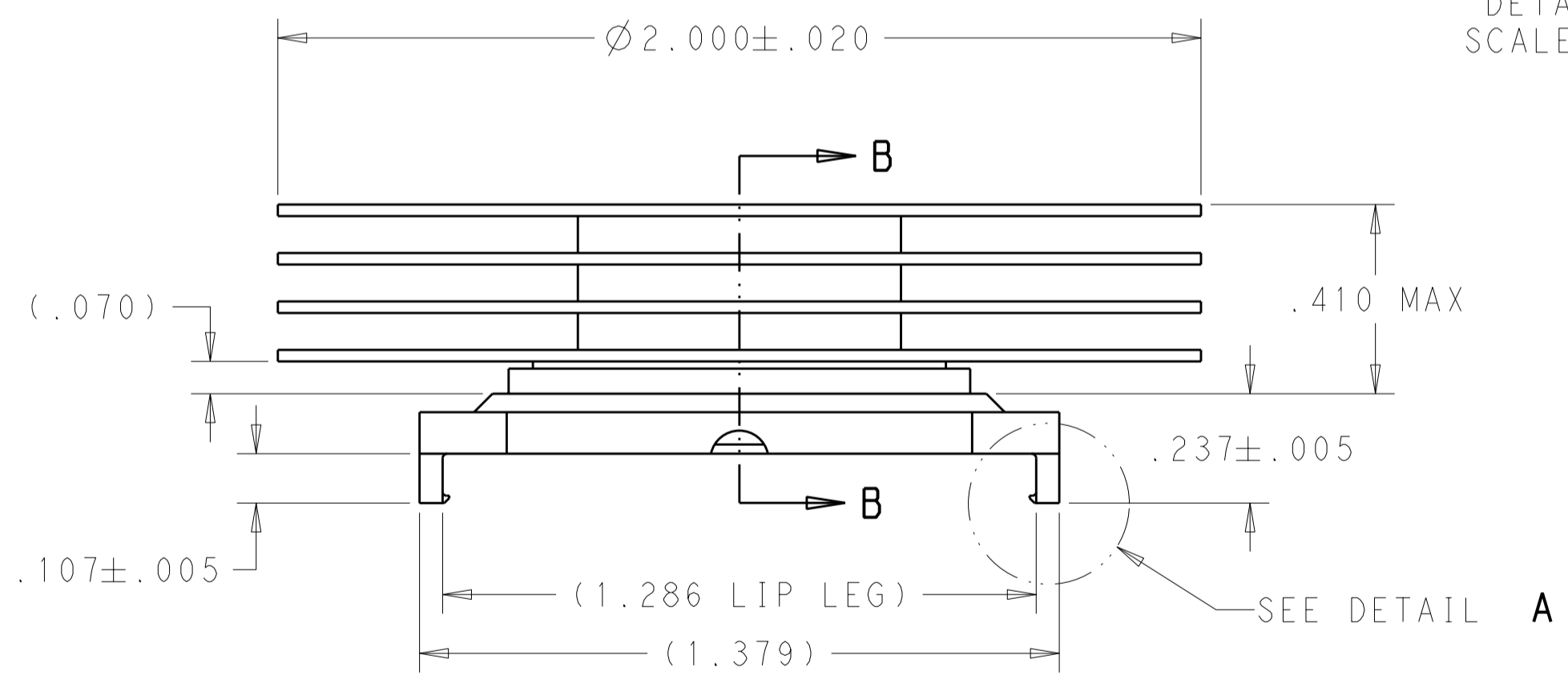


THIS DRAWING IS UNPUBLISHED. RELEASED FOR PUBLICATION 20  
 © COPYRIGHT 20 BY TYCO ELECTRONICS CORPORATION. ALL INTERNATIONAL RIGHTS RESERVED.

LOC		DIST		REVISIONS			
P	LTR	DESCRIPTION	DATE	DWN	APVD		
AD	00	B	REVISED/REDRAWN PER ECO-09-020027	16OCT2009	DH	JE	



- NOTE:
- MATERIAL:  
HEAT SINK: ALUM. (BLACK ANODIZED)  
CLIP: BLACK PEI (UL94-VO)
  - BEFORE THE HEATSINK APPLICATION, THE USER SHOULD IDENTIFY THE SPECIFICATION OF MAXIMUM LOAD ON THE BGA PACKAGE.  
  
HEAT SINK TORQUE SPECIFICATIONS CONVERTED TO FORCE.  
  
BARE DIE PACKAGE:  
2.0 INCH-LB TORQUE=8.1 LBS FORCE  
2.5 INCH-LB TROQUE=10.1 LBS FORCE  
  
FULL SIZE LID PACKAGE:  
2.0 INCH-LB TORQUE=6.9 LBS FORCE  
2.5 INCH-LB TROQUE=8.7 LBS FORCE
  - REMOVE CLIP WITH REMOVAL TOOL P/N: 1542616-1
  - RoHS COMPLIANT AND CERTIFIED



ITEM	DESCRIPTION	QTY
3	INTERFACE	1
2	HEAT SINK	1
1	MOUNTING CLIP	1

THIS DRAWING IS A CONTROLLED DOCUMENT FOR TYCO ELECTRONICS CORPORATION. IT IS SUBJECT TO CHANGE AND THE CONTROLLING ENGINEERING ORGANIZATION SHOULD BE CONTACTED FOR THE LATEST REVISION.		DWN D. HUMBERT 16OCT2009	Tyco Electronics Harrisburg, PA 17105-3608	
DIMENSIONS: INCHES		CHK J. EABY 16OCT2009	NAME 32.5mm HEATSINK ASSEMBLY (HTS512-U)	
TOLERANCES UNLESS OTHERWISE SPECIFIED: 0 PLC ±. 1 PLC ±.1 2 PLC ±.02 3 PLC ±.005 4 PLC ±.0005 ANGLES ±. FINISH		APVD J. EABY 16SEP2009	SIZE A200779	
MATERIAL SEE NOTE		PRODUCT SPEC -	DRAWING NO C-2-1542006-1	
SEE NOTE		APPLICATION SPEC -	RESTRICTED TO -	
SEE NOTE		WEIGHT -	SCALE 3:1 SHEET 1 OF 1 REV B	
CUSTOMER DRAWING				

单击下面可查看定价，库存，交付和生命周期等信息

[>>TE Connectivity\(泰科\)](#)